

W85-19-x28

Single Band | Panel Antenna | X-Pol | 85° | 18.3 dBi | Variable Tilt

- Single band, X-Pol, variable tilt, panel antenna
- MET and RET versions, AISG v1.1 or 3GPP/AISG v2.0
- External RET unit




Ordering Options		Model Number	
When ordering, replace "x" in the model number with one of the options listed below.			
Manual Electrical Tilt		W85-19-A28	
Remote Electrical Tilt AISG v1.1		W85-19-R28	
Remote Electrical Tilt 3GPP/AISG v2.0		W85-19-R28G	
Mounting bracket kits and other accessories are ordered separately.			
Electrical Characteristics		1710-2170 MHz	
Frequency Bands		1710-1880 MHz	1850-1990 MHz
Polarization		±45°	
Horizontal Beamwidth		85°	85°
Vertical Beamwidth		5.3°	5.1°
Gain		17.5 dBi	17.8 dBi
Electrical Downtilt		2-8° Variable Electrical Tilt	
Impedance		50Ω	
VSWR		< 1.4:1	
Upper Sidelobe Suppression		< -18 dB	
Front-to-Back Ratio		> 25 dB	
Inter-Port Isolation		> 28 dB	
IM3 (2x20W Carriers)		< -153 dBc	
Input Power		2 x 200W	
Total Number of Connectors / Type / Location		2 Ports / 7/16-DIN Female / Bottom	
Diplexed		No	
Operating Temperature		-40° to +60° C (-40° to +140° F)	
Mechanical Characteristics			
MET Antenna	Dimensions (L x W x D)	1935 x 170 x 100 mm	76.2 x 6.7 x 3.9 in
	Weight without Mounting Brackets	11.0 kg	24.0 lbs
RET Antenna	Dimensions (L x W x D)	2105 x 170 x 100 mm	82.9 x 6.7 x 3.9 in
	Weight without Mounting Brackets	11.7 kg	25.5 lbs
Survival Wind Speed		241 km/hr	150 mph
Wind Load at 161 km/hr (100 mph)		Front: 402 N Side: 234 N	Front: 90 lbf Side: 53 lbf



Quoted performance parameters are provided to offer typical or range values only and may vary as a result of normal manufacturing and operational conditions. Extreme operational conditions and/or stress on structural supports is beyond our control. Such conditions may result in damage to this product. Improvements to product may be made without notice.

W85-19-x28

Single Band | Panel Antenna | X-Pol | 85° | 18.3 dBi | Variable Tilt

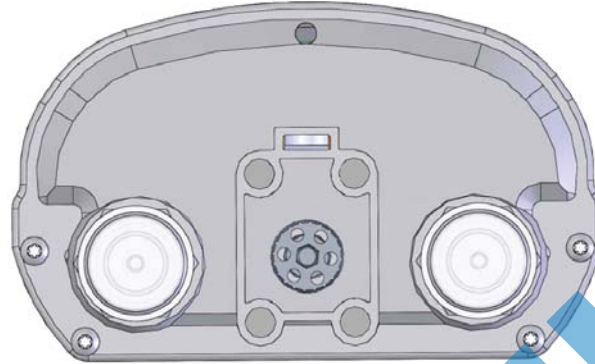
Electrical Downtilt Control				
Manual Electrical Tilt (MET) Control	A knob located at the bottom of the antenna allows change of the tilt. The knob is accessed by removing two hex-head screws on adjustment knob cover. After adjustment is made cover must be replaced and the hex-head screws re-tightened. Manual control is only available if W85-19-A28 antenna version is ordered.			
Remote Electrical Tilt (RET) Control	The remote control of the electrical tilt is managed by an external RET module. The external remote control unit (RCU) adds an additional 170 mm (6.7 in) of length at the bottom of the antenna. When the RCU is attached to the antenna no manual electrical tilt control is available.			
RET Module	The RET module is factory installed and does not need to be ordered separately.			
	Part Number for AISG v1.1 protocol:	RETU-EB01	One unit installed in W85-19-R28	
	Part Number for 3GPP/AISG v2.0 protocol:	RETU-EG01	One unit installed in W85-19-R28G	
Important Installation Instructions 	Do not install the antenna with the connectors facing upward.			
Mounting Options				
Mounting Options	Part Number	Image	Fits Pipe Diameter	Weight
All mounting bracket kits are ordered separately unless otherwise indicated. Select from the options listed below.				
2-Point Mounting Bracket Kit	MKS02P01		40-115 mm 1.6-4.5 in	2.9 kg 6.5 lbs
2-Point Scissor Downtilt Bracket Kit	MKS02T06		40-115 mm 1.6-4.5 in	3.8 kg 8.3 lbs

Quoted performance parameters are provided to offer typical or range values only and may vary as a result of normal manufacturing and operational conditions. Extreme operational conditions and/or stress on structural supports is beyond our control. Such conditions may result in damage to this product. Improvements to product may be made without notice.

W85-19-x28

Single Band | Panel Antenna | X-Pol | 85° | 18.3 dBi | Variable Tilt

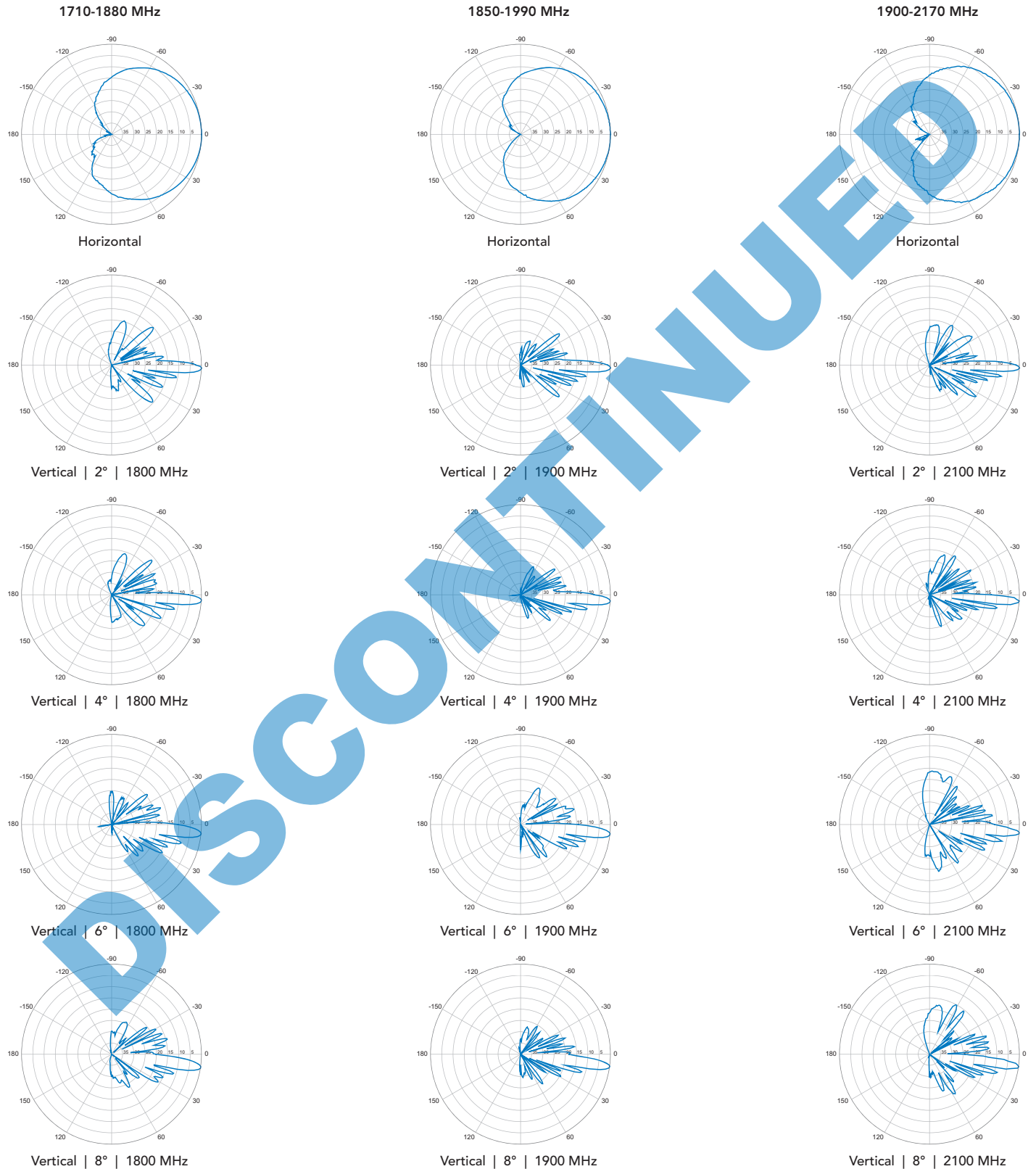
Antenna Bottom View



DISCONTINUED

W85-19-x28

Single Band | Panel Antenna | X-Pol | 85° | 18.3 dBi | Variable Tilt



Quoted performance parameters are provided to offer typical or range values only and may vary as a result of normal manufacturing and operational conditions. Extreme operational conditions and/or stress on structural supports is beyond our control. Such conditions may result in damage to this product. Improvements to product may be made without notice.