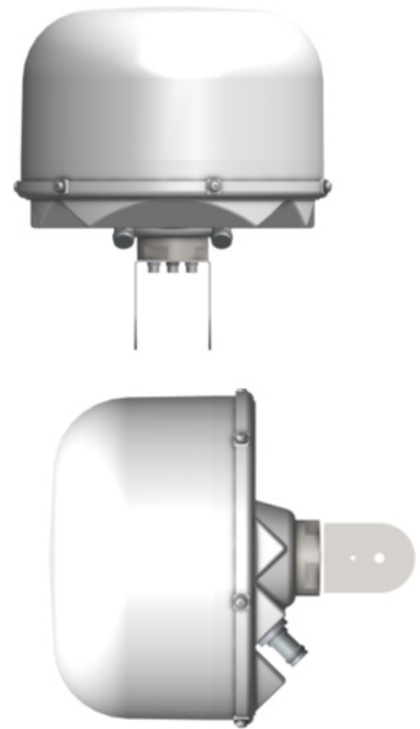


V54-001-01-A0

Features

- Designed with CleanBeam™ technology
- Sharp Roll-Off, 2T2R Lens antenna
- Support 2x2 MIMO
- 54° azimuth and 54° elevation beamwidth



ELECTRICAL SPECIFICATIONS

Frequency Range	MHz	3300-4000		
	MHz	3300-3800	3550-3700	3700-4000
Polarization	---	±45°		
Gain	dBi	11.0 ± 0.7	10.8 ± 0.2	11.7 ± 0.9
Azimuth Beamwidth, 3dB	degrees	53.0° ± 8.0°	56.5° ± 1.0°	46.0° ± 10.0°
Elevation Beamwidth, 3dB	degrees	53.0° ± 8.0°	57.0° ± 1.0°	47.0° ± 10.0°
Azimuth Beamwidth, 10dB	degrees	76.5° ± 4.0°	78.5° ± 1.5°	75.0° ± 5.0°
Elevation Beamwidth, 10dB	degrees	76.0° ± 3.0°	77.0° ± 1.0°	74.0° ± 6.0°
VSWR (Return Loss)	---	1.5:1 (-14 dB)		
Front-to-Back at 180° Copolar	dB	> 22	> 23	> 21
Front-to-Back Ratio (180° ± 30°) Total Power	dB	> 18	> 17	> 16
Sidelobe	dB	> 15	> 16	> 18
Isolation	dB	> 25		
Passive Intermodulation (3rd Order, 2x20 W Carriers)	dBc	< -153		
Maximum Effective Power per Port	Watts	80 W		

ORDERING OPTIONS

Select from the following ordering options

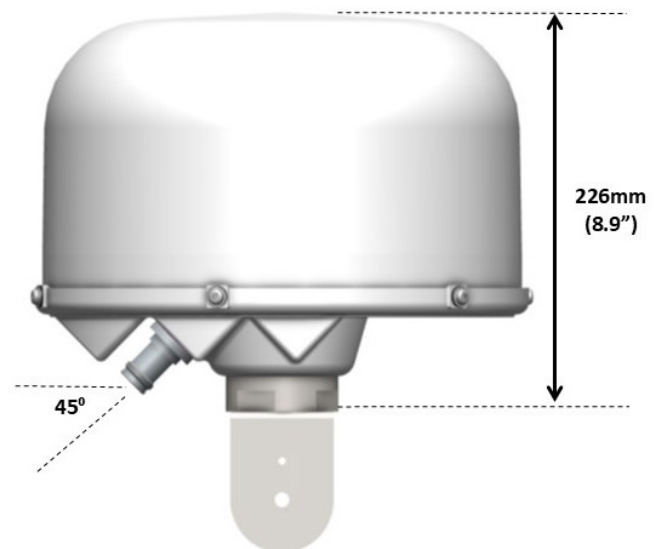
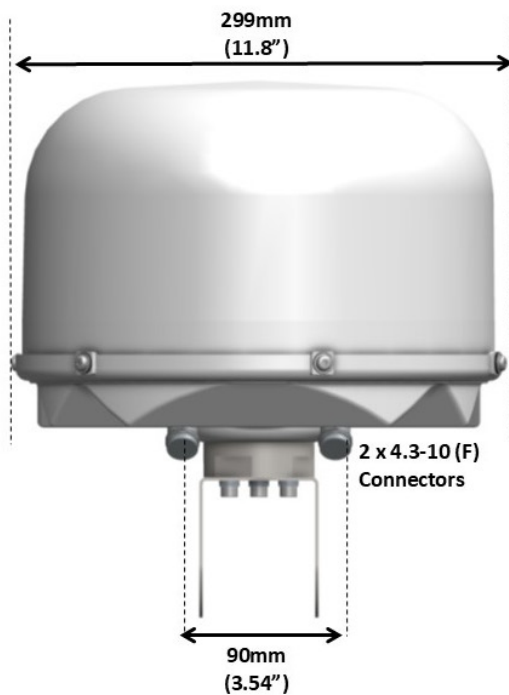
ANTENNA MODEL NUMBER	MOUNTING HARDWARE	MOUNTING PIPE DIAMETER	SHIPPING WEIGHT
V54-001-01-A0-E	APM40-VEN Elevation Tilt Mounting Kit Included	50-110 mm (2.0-4.3 in)	7.9 (17.4)

Quoted performance parameters are provided to offer typical, peak or range values only and may vary as a result of normal testing, manufacturing and operational conditions. Extreme operational conditions and/or stress on structural supports is beyond our control. Such conditions may result in damage to this product. Improvements to products may be made without notice.

V54-001-01-A0

MECHANICAL SPECIFICATIONS

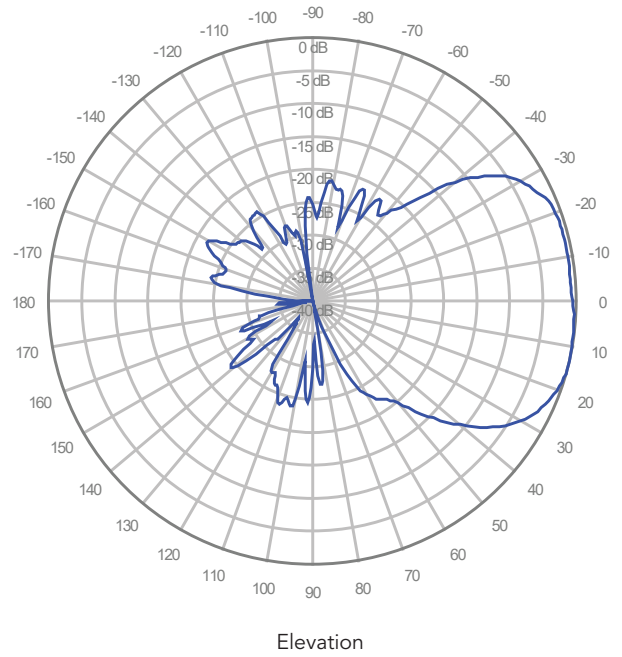
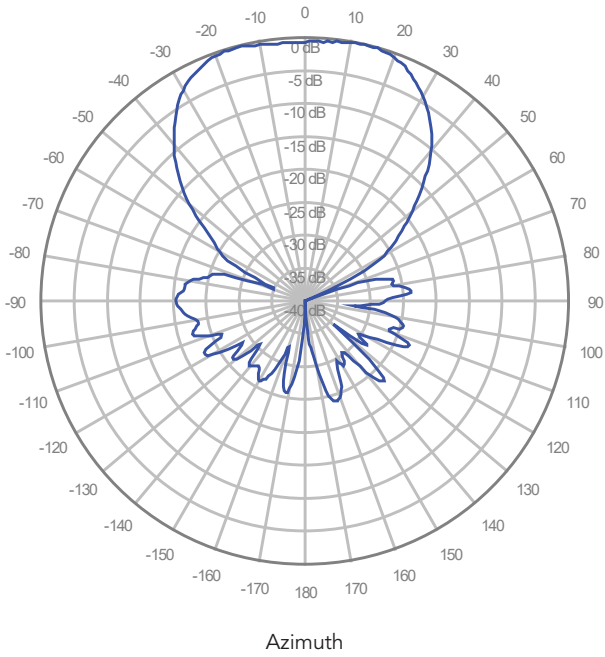
Length	mm (in)	299 (11.8)
Width	mm (in)	299 (11.8)
Depth	mm (in)	226 (8.9)
Net Weight - Antenna Only	kg (lbs)	2.7 (5.9)
Net Weight - Mounting Hardware Only	kg (lbs)	1.8 (4.0)
Wind Load Rated at 160 km/h (99 mph)	Front	N (lbf) 22 (5.0)
	Lateral	N (lbf) 26 (5.9)
Connector Type	---	(2x) 4.3-10 Female
Radome Color	---	White
Radome Material	---	FRP
Lightning Protection	---	Direct Ground
Operating Temperature	degrees	-40° to +70° C (-40° to +158° F)
Shipping	Packing Size (Length x Width x Depth)	mm (in) 400 x 399 x 510 (15.8 x 15.4 x 20.1)
	Shipping Weight	kg (lbs) 7.9 (17.4)



Quoted performance parameters are provided to offer typical, peak or range values only and may vary as a result of normal testing, manufacturing and operational conditions. Extreme operational conditions and/or stress on structural supports is beyond our control. Such conditions may result in damage to this product. Improvements to products may be made without notice.

V54-001-01-A0

3700 MHz



Quoted performance parameters are provided to offer typical, peak or range values only and may vary as a result of normal testing, manufacturing and operational conditions. Extreme operational conditions and/or stress on structural supports is beyond our control. Such conditions may result in damage to this product. Improvements to products may be made without notice.