

## V40-010-01-A0

### Features

- Designed with CleanBeam™ technology
- 2T2R Lens antenna
- Support 2x2 MIMO
- 40° azimuth and 40° elevation beamwidth



### ELECTRICAL SPECIFICATIONS

Frequency Range	MHz	1695-2690			
	MHz	1695-1890	1850-1990	1990-2200	2200-2690
Polarization	---	±45°			
Gain	dBi	11.7 ± 0.5	12.6 ± 0.5	12.8 ± 0.4	13.2 ± 0.9
Azimuth Beamwidth, 3 dB	degrees	47° ± 2°	42° ± 3°	41° ± 1°	36° ± 3°
Elevation Beamwidth, 3 dB	degrees	47° ± 2°	43° ± 3°	41° ± 2°	37° ± 4°
Azimuth Beamwidth, 10 dB	degrees	86° ± 3°	80° ± 2°	75° ± 5°	69° ± 8°
Elevation Beamwidth, 10 dB	degrees	86° ± 3°	80° ± 2°	77° ± 4°	69° ± 8°
VSWR (Return Loss)	---	1.5:1 (-14 dB)			
Front-to-Back at 180° Copolar	dB	> 28	> 30	> 30	> 29
Front-to-Back Ratio (180° ± 30°) Total Power	dB	> 16	> 17	> 16	> 17
Sidelobe	dB	> 19	> 21	> 21	> 20
Isolation	dB	> 25			
Passive Intermodulation (3rd Order, 2x20 W Carriers)	dBc	-153			
Maximum Effective Power per Port	Watts	200 W			

### ORDERING OPTIONS Select from the following ordering options

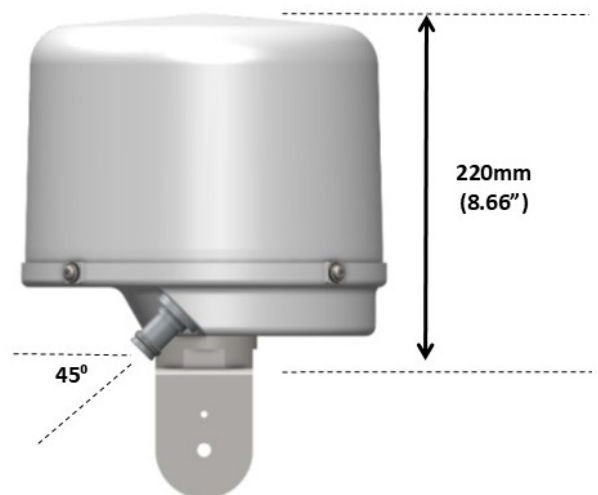
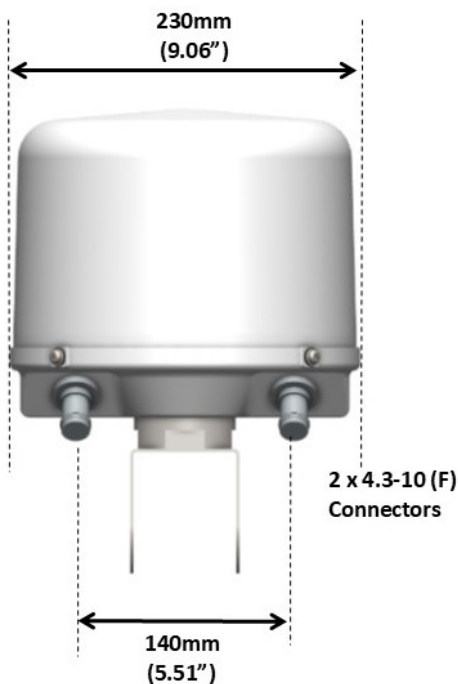
ANTENNA MODEL NUMBER	MOUNTING HARDWARE	MOUNTING PIPE DIAMETER	SHIPPING WEIGHT
V40-010-01-A0-E	APM40-VEN Elevation Tilt Mounting Kit Included	50-110 mm (2.0-4.3 in)	6.1 kg (13.5 lbs)

Quoted performance parameters are provided to offer typical, peak or range values only and may vary as a result of normal testing, manufacturing and operational conditions. Extreme operational conditions and/or stress on structural supports is beyond our control. Such conditions may result in damage to this product. Improvements to products may be made without notice.

## V40-010-01-A0

### MECHANICAL SPECIFICATIONS

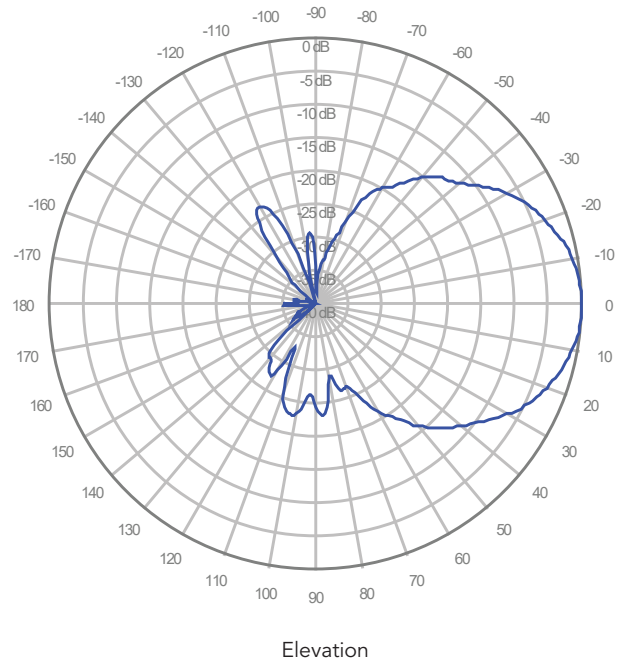
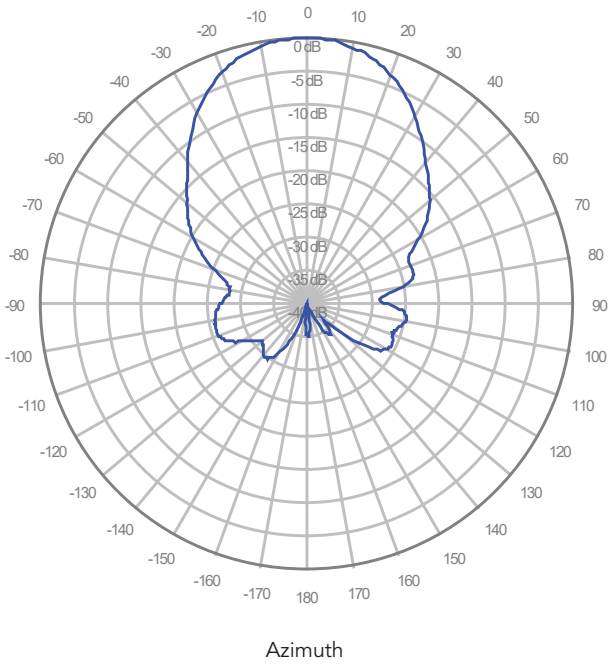
Length		mm (in)	230 (9.06)
Width		mm (in)	230 (9.06)
Depth		mm (in)	220 (8.66)
Net Weight - Antenna Only		kg (lbs)	2.5 (5.5)
Net Weight - Mounting Hardware Only		kg (lbs)	1.8 (4.0)
Wind Load Rated at 160 km/h (99 mph)	Front	N (lbf)	15 (3.4)
	Lateral	N (lbf)	22 (5)
Connector Type		---	(2x) 4.3-10 Female
Radome Color		---	White
Radome Material		---	FRP
Lightning Protection		---	Direct Ground
Operating Temperature		degrees	-40° to +70° C (-40° to +158° F)
<b>Shipping</b>	Packing Size (Length x Width x Depth)	mm (in)	402 x 391 x 15.8 x 511 (15.8 x 15.4 x 20.1)
	Shipping Weight	kg (lbs)	6.1 (13.5)



Quoted performance parameters are provided to offer typical, peak or range values only and may vary as a result of normal testing, manufacturing and operational conditions. Extreme operational conditions and/or stress on structural supports is beyond our control. Such conditions may result in damage to this product. Improvements to products may be made without notice.

# V40-010-01-A0

## 2100 MHz



Quoted performance parameters are provided to offer typical, peak or range values only and may vary as a result of normal testing, manufacturing and operational conditions. Extreme operational conditions and/or stress on structural supports is beyond our control. Such conditions may result in damage to this product. Improvements to products may be made without notice.