

V37-001-01-A0

Features

- Designed with CleanBeam™ technology
- 2T2R Lens antenna
- Support 2x2 MIMO
- 37° azimuth and 37° elevation beamwidth



ELECTRICAL SPECIFICATIONS

| | | | | |
|---|---------|----------------|--------------|--------------|
| Frequency Range | MHz | 3300-4000 | | |
| | MHz | 3300-3800 | 3550-3700 | 3700-4000 |
| Polarization | --- | ±45° | | |
| Gain | dBi | 12.7 ± 0.7 | 13.0 ± 0.3 | 13.6 ± 0.5 |
| Azimuth Beamwidth, 3 dB | degrees | 37.5° ± 3.0° | 36.0° ± 0.5° | 34.5° ± 2.5° |
| Elevation Beamwidth, 3 dB | degrees | 38.0° ± 3.0° | 37.0° ± 0.5° | 35.0° ± 3.0° |
| Azimuth Beamwidth, 10 dB | degrees | 66.0° ± 5.5° | 64.5° ± 3.0° | 59.5° ± 4.5° |
| Elevation Beamwidth, 10 dB | degrees | 67.0° ± 5.0° | 65.0° ± 1.0° | 61.0° ± 5.0° |
| VSWR (Return Loss) | --- | 1.5:1 (-14 dB) | | |
| Front-to-Back at 180° Copolar | dB | 17 | 19 | 22 |
| Front-to-Back Ratio (180° ± 30°) Total Power | dB | > 25 | > 25 | > 25 |
| Sidelobe | dB | > 16 | > 16 | > 17 |
| Isolation | dB | > 25 | | |
| Passive Intermodulation (3rd Order, 2x20 W Carriers) | dBc | < -153 | | |
| Maximum Effective Power per Port | Watts | 80 W | | |

ORDERING OPTIONS

Select from the following ordering options

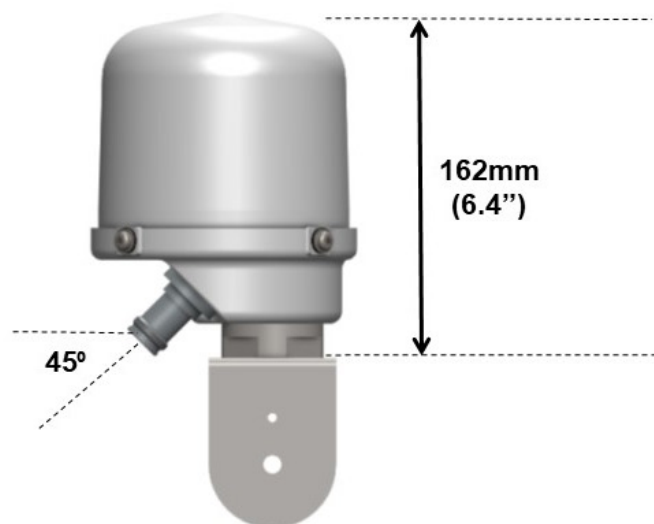
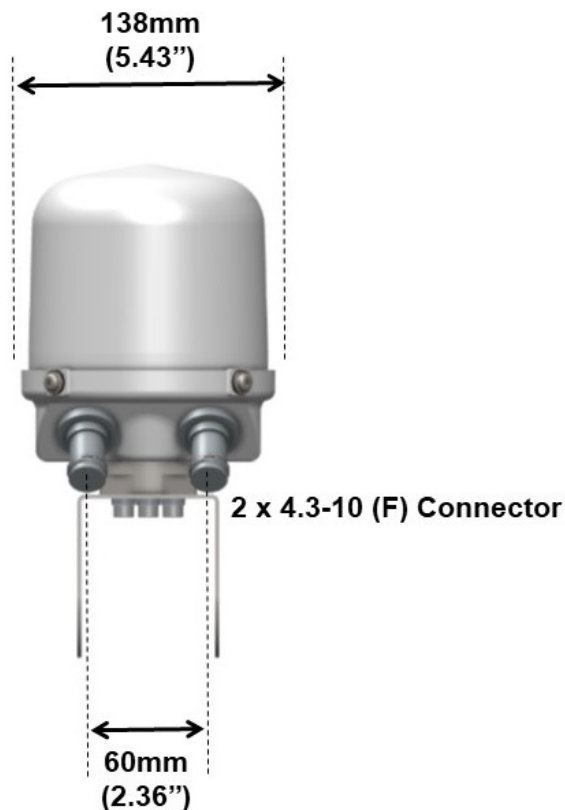
| ANTENNA MODEL NUMBER | MOUNTING HARDWARE | MOUNTING PIPE DIAMETER | SHIPPING WEIGHT |
|----------------------|--|------------------------|------------------|
| V37-001-01-A0-E | APM40-VEN Elevation Tilt Mounting Kit Included | 50-110 mm (2.0-4.3 in) | 3.5 kg (7.8 lbs) |

Quoted performance parameters are provided to offer typical, peak or range values only and may vary as a result of normal testing, manufacturing and operational conditions. Extreme operational conditions and/or stress on structural supports is beyond our control. Such conditions may result in damage to this product. Improvements to products may be made without notice.

V37-001-01-A0

MECHANICAL SPECIFICATIONS

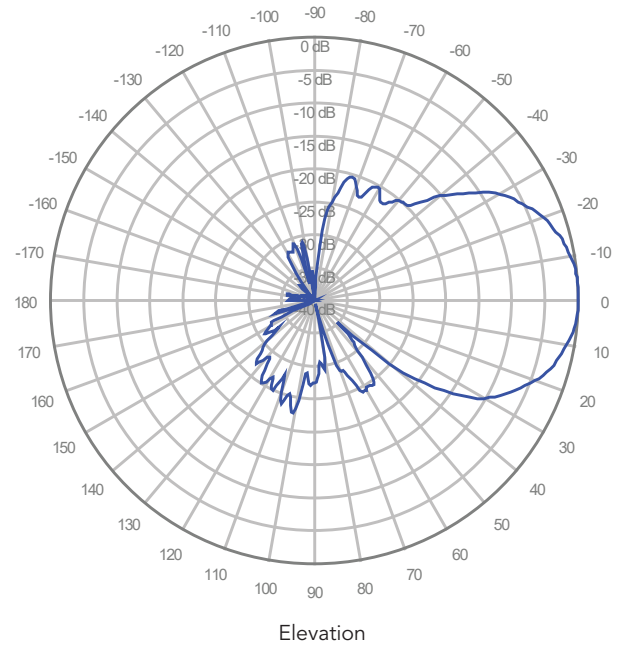
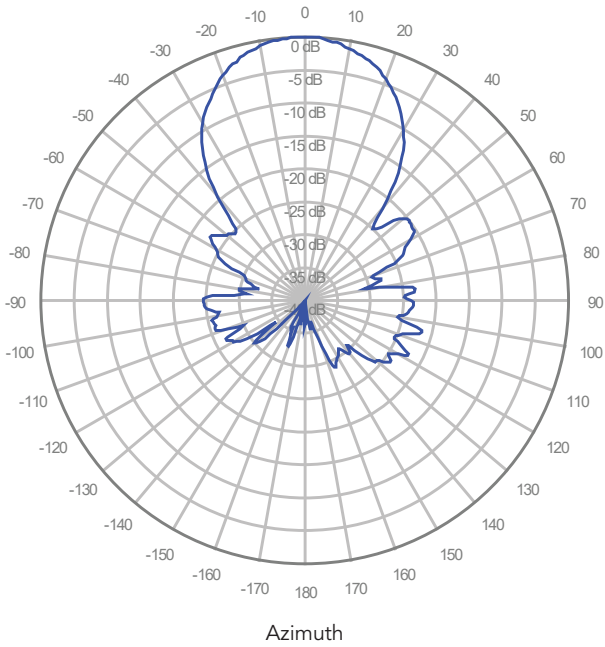
| | | | |
|---|---------------------------------------|----------|------------------------------------|
| Length | | mm (in) | 138 (5.4) |
| Width | | mm (in) | 138 (5.4) |
| Depth | | mm (in) | 162 (6.4) |
| Net Weight - Antenna Only | | kg (lbs) | 0.9 (2.0) |
| Net Weight - Mounting Hardware Only | | kg (lbs) | 1.8 (4.0) |
| Wind Load Rated at 160 km/h (99 mph) | Front | N (lbf) | 4.0 (0.9) |
| | Lateral | N (lbf) | 8.0 (1.8) |
| Connector Type | | --- | (2x) 4.3-10 Female |
| Radome Color | | --- | White |
| Radome Material | | --- | FRP |
| Lightning Protection | | --- | Direct Ground |
| Operating Temperature | | degrees | -40° to +70° C (-40° to +158° F) |
| Shipping | Packing Size (Length x Width x Depth) | mm (in) | 229 x 229 x 318 (9.0 x 9.0 x 12.5) |
| | Shipping Weight | kg (lbs) | 3.5 (7.8) |



Quoted performance parameters are provided to offer typical, peak or range values only and may vary as a result of normal testing, manufacturing and operational conditions. Extreme operational conditions and/or stress on structural supports is beyond our control. Such conditions may result in damage to this product. Improvements to products may be made without notice.

V37-001-01-A0

3900 MHz



Quoted performance parameters are provided to offer typical, peak or range values only and may vary as a result of normal testing, manufacturing and operational conditions. Extreme operational conditions and/or stress on structural supports is beyond our control. Such conditions may result in damage to this product. Improvements to products may be made without notice.