

TPX-16x

Triplexer | 1800/2100/2300-2600 | Single and Twin Units | Indoor / Outdoor

- Combines the three cellular bands 1800, 2100 and 2300-2600 into a single output
- Usable at BTS or antenna end
- Built in lightning protection on all ports
- Available as single or twin unit, with Auto-Sense or various DC/AISG bypass configurations
- Suitable for indoor or outdoor applications
- Pole or wall mounting



Electrical Characteristics		
1800 Channel (Port 1)		
Frequency Band	1710-1880 MHz	
Insertion Loss	0.15 dB typ; 0.2/0.4 dB max (Rx/Tx)	
Return Loss; Typical	> 21 dB	
Rejection, 1920-2170 MHz	50 dB	
Rejection, 2300-2690 MHz	50 dB	
Continuous Average Power	250 W	
Intermodulation, 2x43 dBm TX Carrier, IM3	160 dBc	
2100 Channel (Port 2)		
Frequency Band	1920-2170 MHz	
Insertion Loss	0.2 dB typ; 0.5 dB max	
Return Loss; Typical	> 21 dB	
Rejection, 1710-1880 MHz	50 dB	
Rejection, 2300-2400 MHz	50 dB	
Rejection, 2500-2690 MHz	50 dB	
Continuous Average Power	250 W	
Intermodulation, 2x43 dBm TX Carrier, IM7	160 dBc	
2300-2600 Channel (Port 3)		
Frequency Band	2300-2690 MHz	
Insertion Loss	0.2 dB typ; 0.3 dB max	
Return Loss; Typical	> 21 dB	
Rejection, 1710-2170 MHz	50 dB	
Continuous Average Power	250 W	
Intermodulation, 2x43 dBm TX Carrier, IM3	160 dBc	
General Characteristics	Standard Models	Models with Auto-Sense
Lightning Protection	±5 kA 8/20 μs	±5 kA 8/20 μs
DC Pass Current	3.0 A continuous max.	2 A, drop max 2.4 V
AISG Pass	Yes	---
AISG RL	---	> 12 dB
AISG Loss	---	< 1 dB
Input Voltage Power	---	8-30 V max 0.3 W
Impedance	50Ω	50Ω

Quoted performance parameters are provided to offer typical or range values only and may vary as a result of normal manufacturing and operational conditions. Extreme operational conditions and/or stress on structural supports is beyond our control. Such conditions may result in damage to this product. Improvements to product may be made without notice.

TPX-16x

Triplexer | 1800/2100/2300-2600 | Single and Twin Units | Indoor / Outdoor

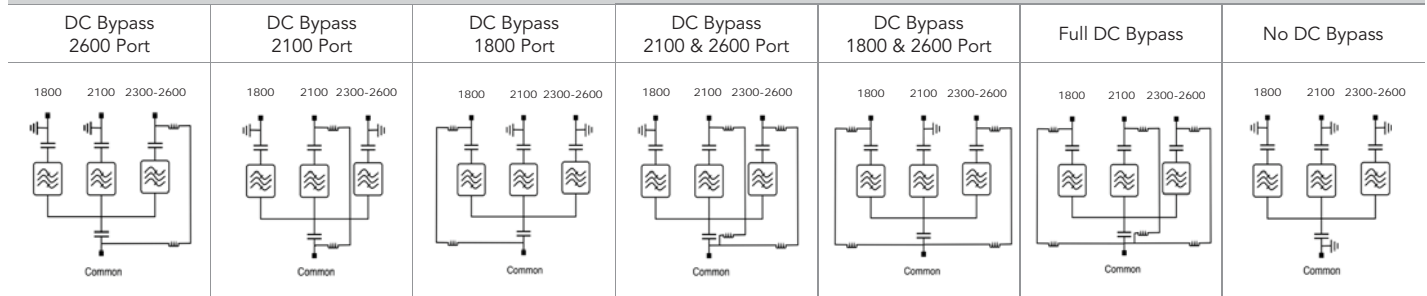
Environmental			
Operating Temperature Range		-40° to +65° C (-40° to 149° F)	
Ingress Protection		IP67	
Environmental		ETS 300 019-1-4 Class 4.1E	
Safety		IEC/EN62368-1	
Mechanical Characteristics		Single Unit	Twin Unit
Finish		Light Grey (NCS 1502-R)	
Connectors		See Ordering Options Below	
Dimensions (H x W x D)	Standard Models	150 x 190 x 51 mm (5.9 x 7.5 x 2.0 in)	150 x 190 x 94 mm (5.9 x 7.5 x 3.7 in)
	Models with Auto-Sense	TBD	TBD
Weight	Gross	3.1 kg (6.8 lbs)	5.8 kg (12.8 lbs)
	Net	2.6 kg (5.7 lbs)	5.2 kg (11.5 lbs)
Mounting Options		Description	
Pole / Wall Bracket		Two metal clamps for pole mount included; Pole Diameter 40-140 mm (1.57-5.5 in)	

Ordering Options	Single Unit				Twin Unit			
	7/16-DIN Female	N Female	4.3/10 Female	7/16-DIN Female [Band] N Female [Common]	7/16-DIN Female	N Female	4.3/10 Female	7/16-DIN Female [Band] N Female [Common]

When ordering replace "x" with correct option for bypass configuration and single or twin unit.

With DC/AISG Auto-Sense	TPX-16A	TPX-16A-NF	TPX-16A-43F	TPX-16A-DFNF	TPX-16AA	TPX-16AA-NF	TPX-16AA-43F	TPX-16AA-DFNF
DC bypass 2600 port	TPX-164	TPX-164-NF	TPX-164-43F	TPX-164-DFNF	TPX-165	TPX-165-NF	TPX-165-43F	TPX-165-DFNF
DC bypass 2100 port	TPX-168	TPX-168-NF	TPX-168-43F	TPX-168-DFNF	TPX-169	TPX-169-NF	TPX-169-43F	TPX-169-DFNF
DC bypass 1800 port	TPX-166	TPX-166-NF	TPX-166-43F	TPX-166-DFNF	TPX-167	TPX-167-NF	TPX-167-43F	TPX-167-DFNF
DC bypass 2100 & 2600 ports	TPX-1610	TPX-1610-NF	TPX-1610-43F	TPX-1610-DFNF	TPX-1611	TPX-1611-NF	TPX-1611-43F	TPX-1611-DFNF
DC bypass 1800 & 2600 ports	TPX-1612	TPX-1612-NF	TPX-1612-43F	TPX-1612-DFNF	TPX-1613	TPX-1613-NF	TPX-1613-43F	TPX-1613-DFNF
Full DC bypass	TPX-162	TPX-162-NF	TPX-162-43F	TPX-162-DFNF	TPX-163	TPX-163-NF	TPX-163-43F	TPX-163-DFNF
No DC bypass	TPX-160	TPX-160-NF	TPX-160-43F	TPX-160-DFNF	TPX-161	TPX-161-NF	TPX-161-43F	TPX-161-DFNF

Block Diagrams

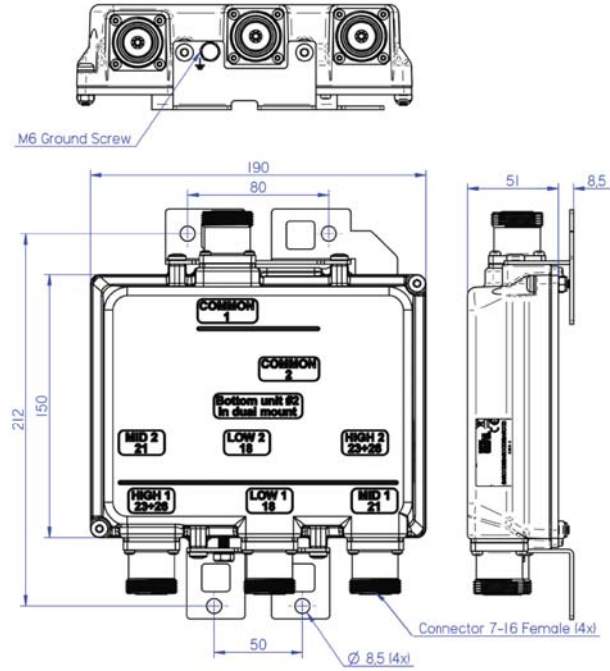


Quoted performance parameters are provided to offer typical or range values only and may vary as a result of normal manufacturing and operational conditions. Extreme operational conditions and/or stress on structural supports is beyond our control. Such conditions may result in damage to this product. Improvements to product may be made without notice.

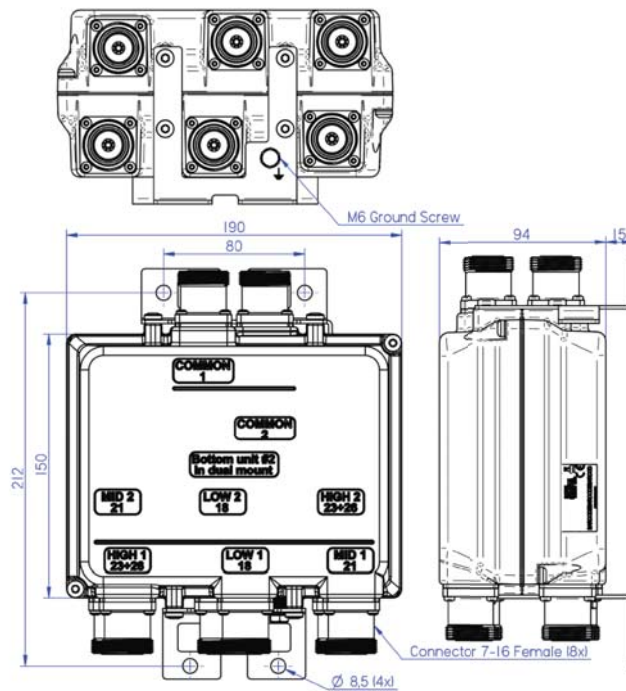
TPX-16x

Triplexer | 1800/2100/2300-2600 | Single and Twin Units | Indoor / Outdoor

Dimensions - Single Unit with 7/16-DIN Connectors



Dimensions - Twin Unit with 7/16-DIN Connectors



Quoted performance parameters are provided to offer typical or range values only and may vary as a result of normal manufacturing and operational conditions. Extreme operational conditions and/or stress on structural supports is beyond our control. Such conditions may result in damage to this product. Improvements to product may be made without notice.