

This model was previously released as APS-xx-WBM-LP-NF-CC

SP-xxML-NF-JJ

Power Splitter | N Female | Square Body

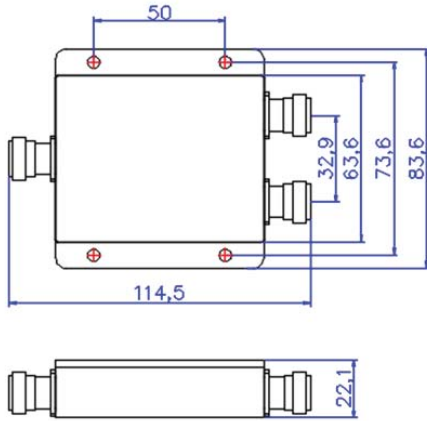
Ordering Options		2-Way Splitter	3-Way Splitter	4-Way Splitter
Model Number (xx)		SP-02ML-NF-JJ 	SP-03ML-NF-JJ 	SP-04ML-NF-JJ 
Electrical Characteristics				
Frequency Range		555-2700 MHz	555-2700 MHz	555-2700 MHz
Return Loss	555-698 MHz	15.0 dB	13.0 dB	12.0 dB
	698-2700 MHz	20.8 dB	17.7 dB	17.7 dB
Isolation	555-698 MHz	17.0 dB	17.0 dB	11.0 dB
	698-2700 MHz	20.0 dB	20.0 dB	18.0 dB
Average Power		80 W	80 W	80 W
PIM		-153 dBc	-153 dBc	-153 dBc
Insertion Loss		0.3 dB (698-960 MHz) 0.4 dB (1710-2700 MHz)	0.65 dB (555-2700 MHz)	0.65 dB (555-2700 MHz)
Impedance		50Ω	50Ω	50Ω
Mechanical Characteristics				
Dimensions (L x W x D)		107 x 79 x 22 mm (4.2 x 3.1 x 0.9 in)	135 x 111 x 22 mm (5.3 x 4.4 x 0.9 in)	129 x 141 x 22 mm (5.1 x 5.6 x 0.9 in)
Weight		0.26 kg (0.6 lbs)	0.54 kg (1.2 lbs)	0.65 kg (1.4 lbs)
Packing Dimensions (L x W x D)		130 x 100 x 40 mm (6.3 x 6.3 x 1.6 in)	160 x 130 x 40 mm (6.3 x 3.9 x 1.6 in)	160 x 160 x 40 mm (6.3 x 6.3 x 1.6 in)
Packing Weight		0.31 kg (0.7 lbs)	0.61 kg (1.3 lbs)	0.72 kg (1.6 lbs)
Connector		N Female	N Female	N Female
Environmental Characteristics				
Operating Temperature		-35° C to +85° C (-31° F to +185° F)	-35° C to +85° C (-31° F to +185° F)	-35° C to +85° C (-31° F to +185° F)
Environmental		IP65	IP65	IP65

Quoted performance parameters are provided to offer typical, peak or range values only and may vary as a result of normal testing, manufacturing and operational conditions. Extreme operational conditions and/or stress on structural supports is beyond our control. Such conditions may result in damage to this product. Improvements to products may be made without notice.

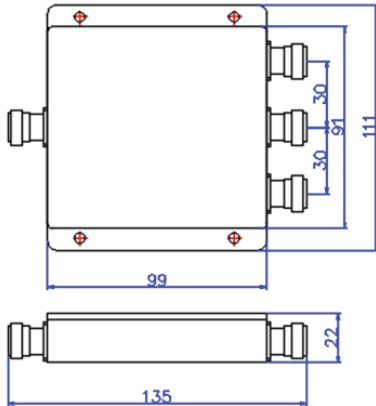
SP-xxML-NF-JJ

Power Splitter | N Female | Square Body

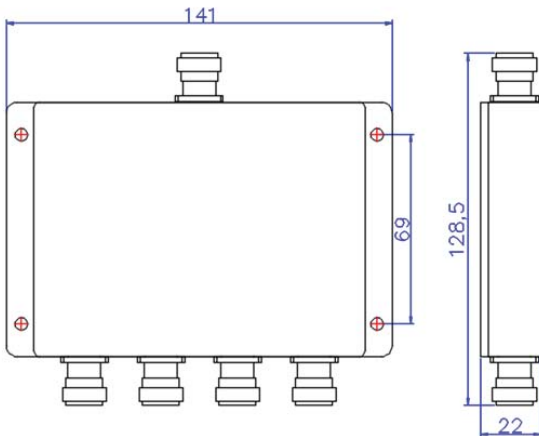
Dimensions - SP-02ML-NF-JJ



Dimensions - SP-03ML-NF-JJ



Dimensions - SP-04ML-NF-JJ



Quoted performance parameters are provided to offer typical, peak or range values only and may vary as a result of normal testing, manufacturing and operational conditions. Extreme operational conditions and/or stress on structural supports is beyond our control. Such conditions may result in damage to this product. Improvements to products may be made without notice.