

## QPX-13x

Quadruplexer | 800/900/1800-2100/2600 | Single and Twin Units | Indoor / Outdoor

- Combines four bands 800/900/1800-2100/2600 into a single output
- Usable at BTS or antenna end
- Built in lightning protection on all ports
- Available as single or twin unit, with Auto-Sense or various DC/AISG bypass configurations
- Suitable for indoor or outdoor applications
- Pole or wall mounting

Ordering Options	Single Unit		Twin Unit	
	7/16-DIN Female Connectors	4.3-10 Female Connectors	7/16-DIN Female Connectors	4.3-10 Female Connectors
When ordering replace "x" with correct option for bypass configuration and single or twin unit.				
With DC/AISG Auto-Sense	QPX-13A	QPX-13A-43F	QPX-13AA	QPX-13AA-43F
DC/AISG bypass 1800+2100 port	QPX-134	QPX-134-43F	QPX-135	QPX-135-43F
DC/AISG bypass 2600 port	QPX-136	QPX-136-43F	QPX-137	QPX-137-43F
DC/AISG bypass 1800+2100 & 2600 ports	QPX-138	QPX-138-43F	QPX-139	QPX-139-43F
DC/AISG bypass 800, 1800+2100 & 2600 ports	QPX-1310	QPX-1310-43F	QPX-1311	QPX-1311-43F
Full DC/AISG bypass	QPX-132	QPX-132-43F	QPX-133	QPX-133-43F
No DC/AISG bypass (all ports DC grounded)	QPX-130	QPX-130-43F	QPX-131	QPX-131-43F
<b>Electrical Characteristics</b>				
<b>800 Channel (Port 1)</b>				
Frequency Band	790-862 MHz			
Insertion Loss	0.2 dB typ; 0.4 dB max			
Return Loss, Normal Modes, All Ports	> 18 dB			
Rejection	880-2690 MHz	> 50 dB (> 30 dB 900 RX)		
Continuous Average Power	250 W			
Intermodulation, 2x43 dBm TX Carrier, IM3	-116 dBm			
<b>900 Channel (Port 2)</b>				
Frequency Band	880-960 MHz			
Insertion Loss	0.2 dB typ; 0.4 dB max			
Return Loss	> 18 dB			
Rejection	790-862 MHz	> 50 dB TX (> 30 dB RX)		
	1710-2690 MHz	50 dB		
Continuous Average Power	250 W			
Intermodulation, 2x43 dBm TX Carrier, IM3	-116 dBm			
<b>1800-2100 Channel (Port 3)</b>				
Frequency Band	1710-2170 MHz			
Insertion Loss	1710-2170 MHz	0.2 dB typ; 0.4 dB max		
Return Loss	> 18 dB			
Rejection	790-960 MHz	50 dB		
	2500-2690 MHz	50 dB		
Continuous Average Power	250 W			
Intermodulation, 2x43 dBm TX Carrier, IM3	-116 dBm			
<b>2600 Channel (Port 4)</b>				
Frequency Band	2500-2690 MHz			
Insertion Loss	2500-2690 MHz	< 0.3 dB		
Return Loss	> 18 dB			
Rejection	790-2170 MHz	50 dB		
Continuous Average Power	250 W			
Intermodulation, 2x43 dBm TX Carrier, IM3	-116 dBm			

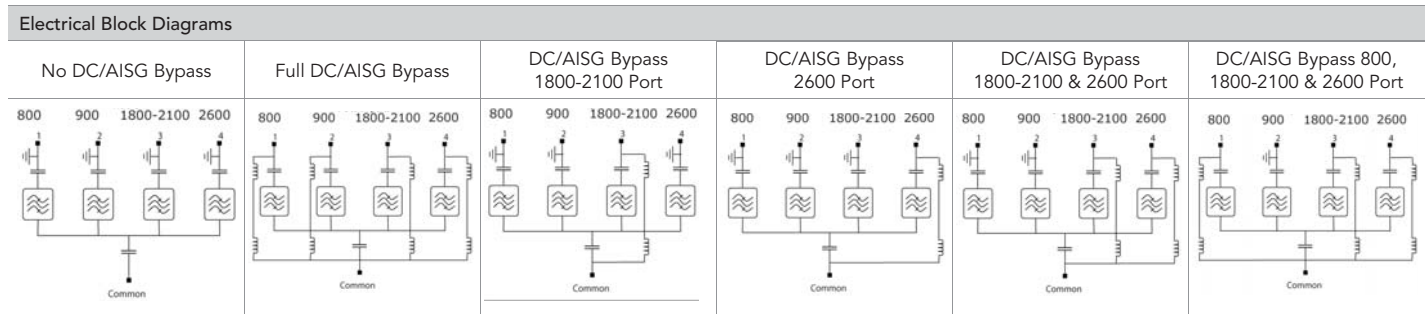


Quoted performance parameters are provided to offer typical, peak or range values only and may vary as a result of normal testing, manufacturing and operational conditions. Extreme operational conditions and/or stress on structural supports is beyond our control. Such conditions may result in damage to this product. Improvements to products may be made without notice.

## QPX-13x

Quadruplexer | 800/900/1800-2100/2600 | Single and Twin Units | Indoor / Outdoor

General		Standard Models	Models with Auto-Sense
DC Pass Current		3 A	2 A, drop max 2.4V
AISG Pass		Yes	---
AISG RL		---	> 12 dB
AISG Loss		---	< 1 dB
Lightning Protection		---	10 kA 8/20 $\mu$ s
Input Voltage Power		---	8-30 V Max 0.3W
Environmental			
Temperature Range		-40° to +65° C (-40° to +149° F)	
Ingress Protection		IP68	
Environmental Compliance		ETS 300 019-1-4 Class 4.1E	
Safety		IEC/EN 62368-1	
Mechanical Characteristics		Single Unit	Twin Unit
Finish		Light Grey (NCS 1502-R)	
Connectors		7/16-DIN Female or 4.3-10 Female	
Dimensions (H x W x D)	Standard Models	160 x 264 x 57.5 mm (6.3 x 10.4 x 2.3 in)	160 x 264 x 118.5 mm (6.3 x 10.4 x 4.7 in)
	Models with Auto-Sense	TBD	TBD
Weight	Standard Models	4 kg (8.8 lbs)	6 kg (13.2 lbs)
	Models with Auto-Sense	TBD	TBD
Mounting Options		Description	
Pole / Wall Bracket		Two metal clamps for pole mount included; Pole Diameter 40-140 mm (1.57-5.5 in)	

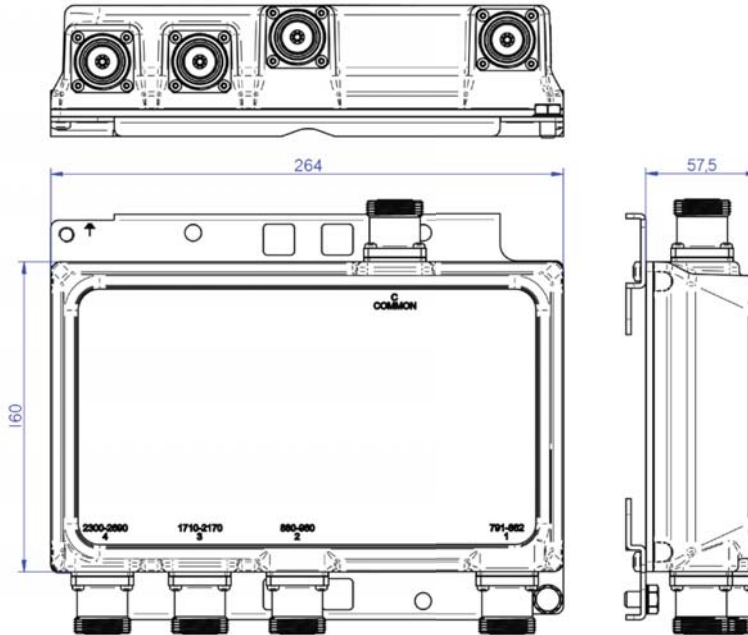


Quoted performance parameters are provided to offer typical, peak or range values only and may vary as a result of normal testing, manufacturing and operational conditions. Extreme operational conditions and/or stress on structural supports is beyond our control. Such conditions may result in damage to this product. Improvements to products may be made without notice.

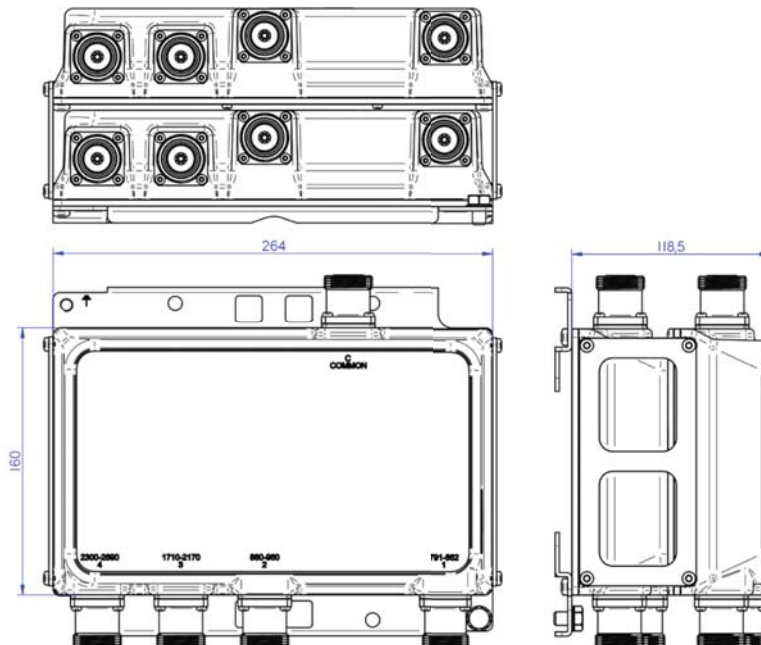
QPX-13x

Quadruplexer | 800/900/1800-2100/2600 | Single and Twin Units | Indoor / Outdoor

Dimensions - Single Unit with 7/16-DIN Connectors



Dimensions - Twin Unit with 7/16-DIN Connectors



Quoted performance parameters are provided to offer typical, peak or range values only and may vary as a result of normal testing, manufacturing and operational conditions. Extreme operational conditions and/or stress on structural supports is beyond our control. Such conditions may result in damage to this product. Improvements to products may be made without notice.