

PH-ZZ07-N0

Features

- 4 ports / 2 cross pol system in high band (4720-4920 MHz)
- Integrated and field replaceable SRET
- ACU HW version: 2.02
- Compliant with AISG v2.0 and 3GPP



PRODUCT OVERVIEW	Frequency Range (MHz)	(2x) 4720-4920	
	Array	■ P1	■ P2
	Connector	1-2	3-4
		4 PORTS	
	Polarization	XPOL	
	Azimuth Beamwidth (avg)	65°	
	Electrical Downtilt	2-12°	
Dimensions	798 x 260 x 130 mm (31.4 x 10.2 x 5.1 in)		

ORDERING OPTIONS

Select from the following ordering options

ANTENNA MODEL NUMBER	CONFIGURATION	MOUNTING HARDWARE	MOUNTING PIPE DIAMETER	SHIPPING WEIGHT
PH-ZZ07-N0 (Material Code: 50016654)	ACU-I20-B2 Internal RET Included	APM50-B3 Beam Tilt Kit Included	60-110 mm (2.4-4.3 in)	11.5 kg (25.4 lbs)



Quoted performance parameters are provided to offer typical, peak or range values only and may vary as a result of normal testing, manufacturing and operational conditions. Extreme operational conditions and/or stress on structural supports is beyond our control. Such conditions may result in damage to this product. Improvements to products may be made without notice.

PH-ZZ07-N0

ELECTRICAL SPECIFICATIONS

■ P1

Frequency Range		MHz	4720-4920	
		MHz	4720-4820	4820-4920
Polarization		---	±45°	
Gain	Over all Tilts	dBi	16.9 ± 0.6	16.9 ± 0.6
	Max Gain	dBi	17.5	17.5
Azimuth Beamwidth (3 dB)		degrees	66° ± 4.7°	67.2° ± 5.6°
Elevation Beamwidth (3 dB)		degrees	5.6° ± 0.3°	5.6° ± 0.4°
Electrical Downtilt		degrees	2-12°	
Impedance		Ohms	50Ω	
VSWR (Return Loss)		---	1.5:1 (-14 dB)	
Front-to-Back Ratio, Total Power, ± 30°		dB	18.7	17.6
First Upper Side Lobe Suppression		dB	15.1	14.7
Cross-Pol Over Sector		dB	6.1	6.1
Cross Polar Discrimination (XPD) at Mechanical Boresight (0°)		dB	10.4	9.6
Maximum Effective Power Per Port		Watts	150 W	
Cross Polar Isolation		dB	26	
Interband Isolation		dB	26	

Specifications follow BASTA guidelines.

ELECTRICAL SPECIFICATIONS

■ P2

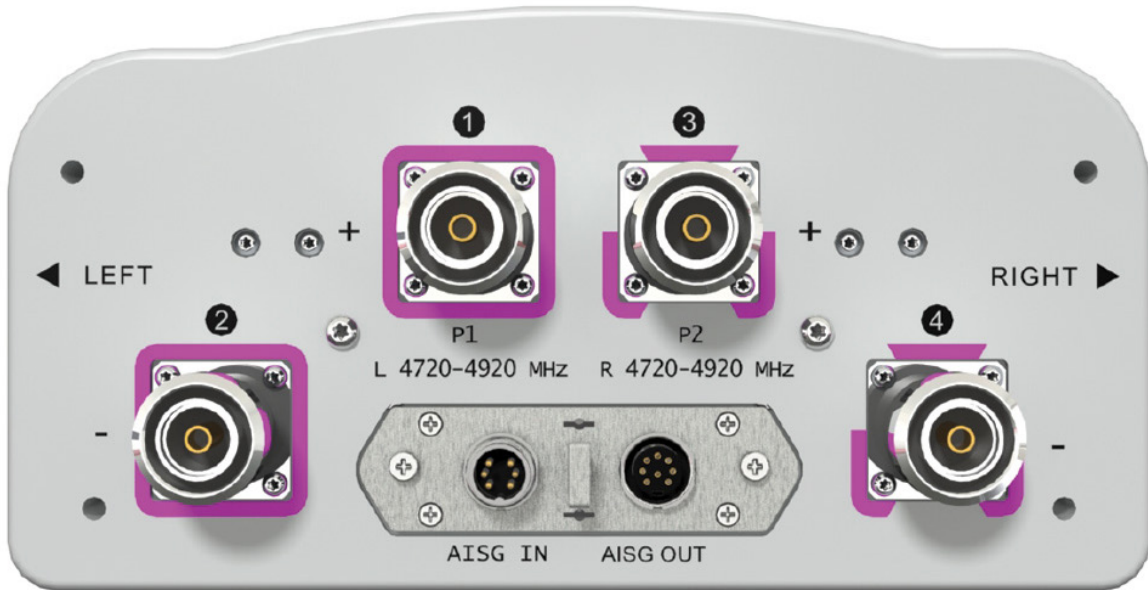
Frequency Range		MHz	4720-4920	
		MHz	4720-4820	4820-4920
Polarization		---	±45°	
Gain	Over all Tilts	dBi	17.1 ± 0.5	17.1 ± 0.6
	Max Gain	dBi	17.6	17.7
Azimuth Beamwidth (3 dB)		degrees	67° ± 5.1°	68.2° ± 8.1°
Elevation Beamwidth (3 dB)		degrees	5.6° ± 0.4°	5.6° ± 0.4°
Electrical Downtilt		degrees	2-12°	
Impedance		Ohms	50Ω	
VSWR (Return Loss)		---	1.5:1 (-14 dB)	
Front-to-Back Ratio, Total Power, ± 30°		dB	18.5	18.7
First Upper Side Lobe Suppression		dB	15.2	16.5
Cross-Pol Over Sector		dB	7.1	4.7
Cross Polar Discrimination (XPD) at Mechanical Boresight (0°)		dB	10.7	9.8
Maximum Effective Power Per Port		Watts	150 W	
Cross Polar Isolation		dB	26	
Interband Isolation		dB	26	

Specifications follow BASTA guidelines.

Quoted performance parameters are provided to offer typical, peak or range values only and may vary as a result of normal testing, manufacturing and operational conditions. Extreme operational conditions and/or stress on structural supports is beyond our control. Such conditions may result in damage to this product. Improvements to products may be made without notice.

PH-ZZ07-N0

BOTTOM VIEW - LABELING



ARRAY LAYOUT

ARRAY	FREQUENCY	CONNECTOR	CONNECTOR TYPE	RET	AISG RET UID
■ P1	4720-4920 MHz	1-2	(2x) 4.3-10 Female	P1	RFxxxxxxxxxx-P1
■ P2	4720-4920 MHz	3-4	(2x) 4.3-10 Female	P2	RFxxxxxxxxxx-P2

NOTE: RET motors will tilt one at a time, not simultaneously.



The illustration is not shown to scale.

PH-ZZ07-N0

MECHANICAL SPECIFICATIONS

Length	mm (in)	798 (31.4)	
Width	mm (in)	260 (10.2)	
Depth	mm (in)	130 (5.1)	
Net Weight - Antenna Only	kg (lbs)	7 (15.4)	
Net Weight - Mounting Hardware Only	kg (lbs)	2.7 (6)	
Wind Load Rated at 150 km/h (93 mph)	Frontal, Resultant	N (lbf)	121 (27)
	Side, Resultant	N (lbf)	125 (28)
	Rear, Resultant	N (lbf)	144 (32)
	Maximum, Resultant	N (lbf)	269 (60)
	Maximum, Drag Force	N (lbf)	235 (53)
Survival Wind Speed	km/h (mph)	200 (124)	
Connector Type	--	(4x) 4.3-10 Female, (2x) AISG Connectors (1 Male, 1 Female) at Bottom	
Radome Color	---	Light Grey RAL7035	
Radome Material	---	UPVC	
Lightning Protection	---	Direct Ground	
Shipping	Packing Size (Length x Width x Depth)	mm (in)	1015 x 360 x 215 (40.0 x 14.2 x 8.5)
	Shipping Weight	kg (lbs)	11.5 (25.4)

ENVIRONMENTAL SPECIFICATIONS

Environmental Standard	---	ETS 300 019
Operating Temperature	degrees	-40° to +60° C (-40° to +140° F)
Product Environmental Compliance	---	Product is RoHS Compliant

Quoted performance parameters are provided to offer typical, peak or range values only and may vary as a result of normal testing, manufacturing and operational conditions. Extreme operational conditions and/or stress on structural supports is beyond our control. Such conditions may result in damage to this product. Improvements to products may be made without notice.

PH-ZZ07-N0

ACCESSORIES

Accessories may be ordered separately unless otherwise indicated.

ITEM	MODEL NUMBER	WEIGHT
Beam Tilt Mounting Bracket Kit for Pole Diameter 60-110 mm (2.4-4.3 in) <i>Shipped with antenna</i>	APM50-B3	2.7 kg (6 lbs)

INSTALLATION

Please read all installation notes before installing product.

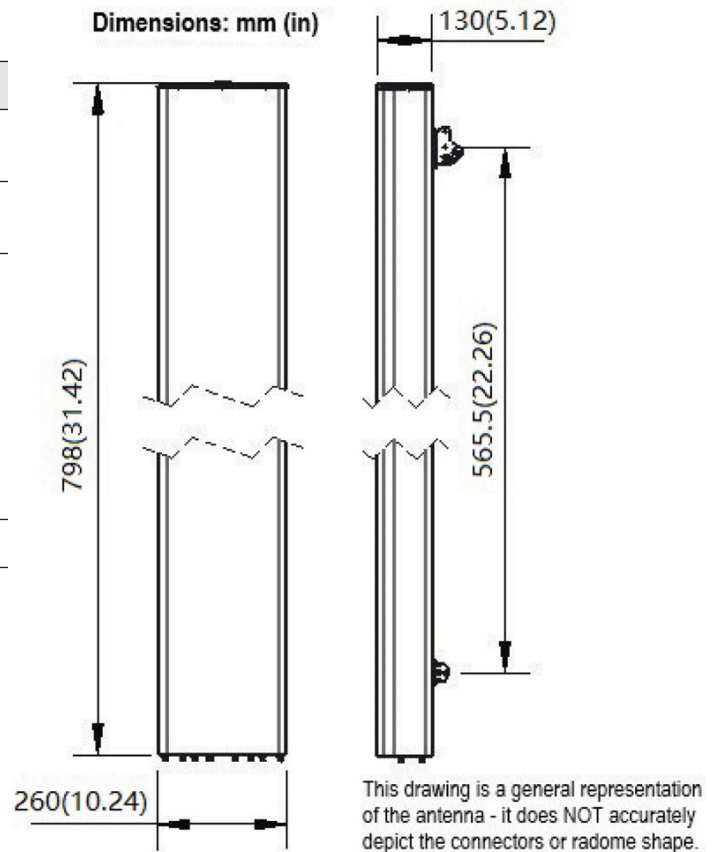


Always attach the antenna using all mounting points.

Do not install antenna with the connectors facing upwards.

EXTERNAL DOCUMENT LINKS

[APM50 Mounting Kit Series Installation Instructions](#)



NOTES

Specifications follow BASTA guidelines.

For additional mounting information, please check **External Document Links**.

For Radiating Patterns: [Request pattern files](#)