

## PH-YY10-N1

### Features

- 4 ports / 2 cross pol system in high band (3300-4200 MHz)
- Integrated and field replaceable SRET
- Compliant with AISG v2.0 and 3GPP



PRODUCT OVERVIEW	Frequency Range (MHz)	(2x) 3300-4200	
	Array	■ P1	■ P2
	Connector	1-2	3-4
		4 PORTS	
	Polarization	XPOL	
	Azimuth Beamwidth (avg)	65°	
	Electrical Downtilt	2-12°	
Dimensions	1000 x 180 x 115 mm (39.4 x 7.1 x 4.5 in)		

### ORDERING OPTIONS

Select from the following ordering options

ANTENNA MODEL NUMBER	CONFIGURATION	MOUNTING HARDWARE	MOUNTING PIPE DIAMETER	SHIPPING WEIGHT
PH-YY10-N1	ACU-I20-B2 Internal RET Included	APM50-B1 Beam Tilt Kit Included	50-110 mm (2.0-4.3 in)	10.4 kg (22.9 lbs)

## PH-YY10-N1

### ELECTRICAL SPECIFICATIONS

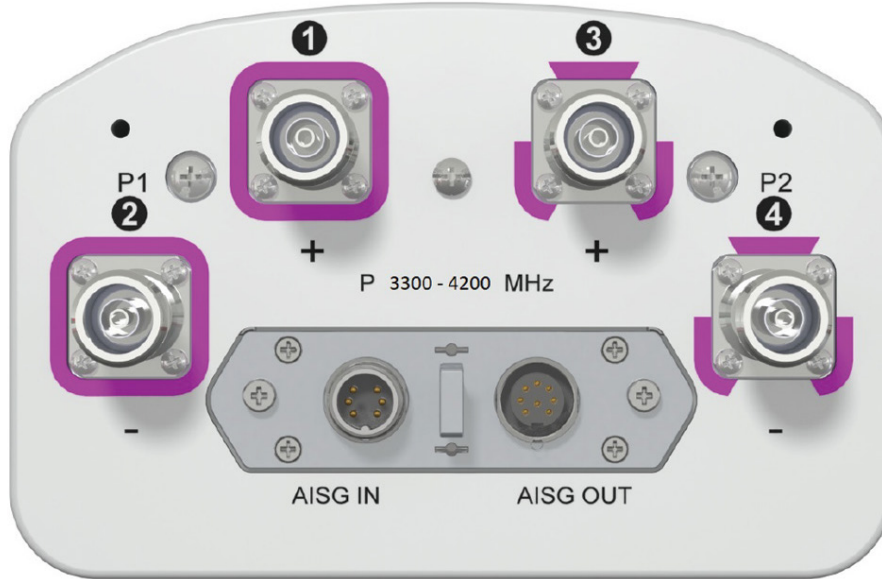
■ P1 ■ P2

Frequency Range		MHz	3300-4200		
		MHz	3300-3500	3600-3800	3700-4200
Polarization		---	±45°		
Gain	Over all Tilts	dBi	18.2 ± 0.5	18.1 ± 0.8	18.0 ± 0.5
	Max Gain	dBi	18.7	18.9	18.5
Azimuth Beamwidth (3 dB)		degrees	67.3° ± 3.1°	65.4° ± 3.1°	61.2° ± 6.1°
Elevation Beamwidth (3 dB)		degrees	5.7° ± 0.5°	5.4° ± 0.3°	5.0° ± 0.3°
Electrical Downtilt		degrees	2-12°		
Impedance		Ohms	50Ω		
VSWR (Return Loss)		---	1.5:1 (-14 dB)		
Passive Intermodulation (3rd Order, 2 x 43dBm)		dBc	-150		
Front-to-Back Ratio, Total Power, ± 30°		dB	20.3	21.0	21.7
First Upper Side Lobe Suppression		dB	16.6	17.2	15.6
Cross Polar Discrimination (XPD) at Mechanical Boresight (0°)		dB	23.5	21.7	20.3
Maximum Effective Power Per Port		Watts	200 W		
Cross Polar Isolation		dB	25		
Interband Isolation		dB	25		

Specifications follow BASTA guidelines.

## PH-YY10-N1

### BOTTOM VIEW - LABELING



### ARRAY LAYOUT

ARRAY	FREQUENCY	CONNECTOR	CONNECTOR TYPE	RET	AISG RET UID
■ P1	3300-4200 MHz	1-2	(2x) 4.3-10 Female	P1	RFxxxxxxxxxx-2P1
■ P2	3300-4200 MHz	3-4	(2x) 4.3-10 Female		



The illustration is not shown to scale.

Quoted performance parameters are provided to offer typical, peak or range values only and may vary as a result of normal testing, manufacturing and operational conditions. Extreme operational conditions and/or stress on structural supports is beyond our control. Such conditions may result in damage to this product. Improvements to products may be made without notice.

## PH-YY10-N1

### MECHANICAL SPECIFICATIONS

Length		mm (in)	1000 (39.4)
Width		mm (in)	180 (7.1)
Depth		mm (in)	115 (4.5)
Net Weight - Antenna Only		kg (lbs)	6.1 (13.4)
Net Weight - Mounting Hardware Only		kg (lbs)	4.5 (9.9)
Wind Load Rated at 150 km/h (93 mph)	Front	N (lbf)	221 (50)
	Side	N (lbf)	121 (27)
	Rear	N (lbf)	329 (74)
Survival Wind Speed		km/h (mph)	200 (124)
Connector Type		--	(4x) 4.3-10 Female, (2x) AISG Connectors (1 Male, 1 Female) at Bottom
Radome Color		---	Light Grey RAL7035
Radome Material		---	UPVC
Lightning Protection		---	Direct Ground
<b>Shipping</b>	Packing Size (Length x Width x Depth)	mm (in)	1225 x 275 x 225 (48.2 x 10.8 x 8.8)
	Shipping Weight	kg (lbs)	10.4 (22.9)

### ENVIRONMENTAL SPECIFICATIONS

Environmental Standard	---	ETS 300 019
Operating Temperature	degrees	-40° to +60° C (-40° to +140° F)
Product Environmental Compliance	---	Product is RoHS Compliant

## PH-YY10-N1

### ACCESSORIES

Accessories may be ordered separately unless otherwise indicated.

ITEM	MODEL NUMBER	WEIGHT
Beam Tilt Mounting Bracket Kit for Pole Diameter 50-110 mm (2.0-4.3 in) <i>Shipped with antenna</i>	APM50-B1	4.5 kg (9.9 lbs)

### INSTALLATION

Please read all installation notes before installing product.

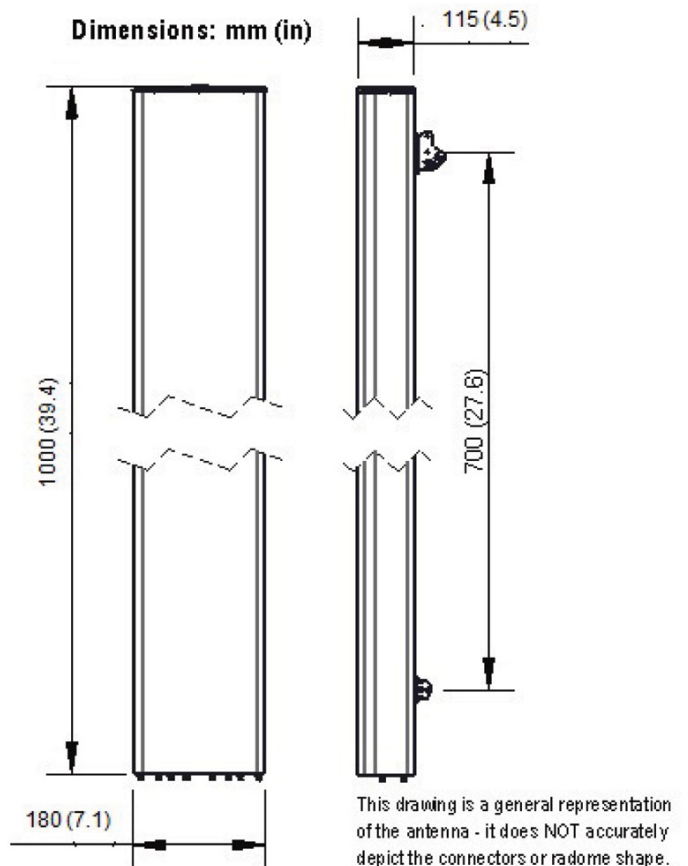


Always attach the antenna using all mounting points.

Do not install antenna with the connectors facing upwards.

### EXTERNAL DOCUMENT LINKS

[APM50 Mounting Kit Series Installation Instructions](#)



### NOTES

Specifications follow BASTA guidelines.

For additional mounting information, please check **External Document Links**.

For Radiating Patterns: [Request pattern files](#)