

PCPI-TETRA-LTE800-RH

2-Band | 1-Port | Right Hand Circular Polarization | 60° | TETRA & LTE Bands | 7.0 dBic | SISO | Indoor

Indoor right hand circularly polarized Antenna for the TETRA and LTE bands

- Dual-band low profile antenna for indoor use
- Right hand circularly polarized, 7 dBic antenna specially designed for closed rooms; for use e.g. on ceilings and walls inside ships and building
- Circular polarization is chosen to improve link quality
- Built-in diplexers with low insertion loss make it possible to have only one connector



This model is available in the iBwave In-Building Network Components Database - www.ibwavecomponents.com

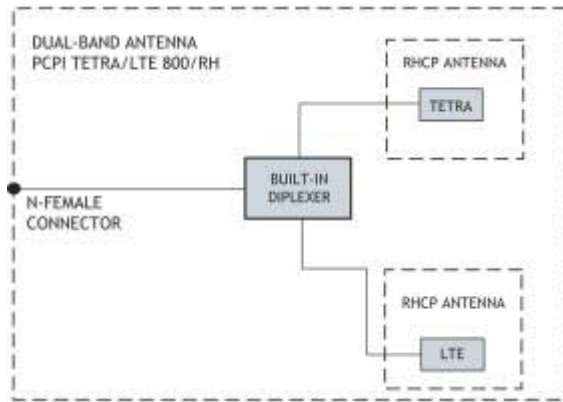
Ordering Options			
Type	Connector Location	Frequency Range	Product Number
PCPI-TETRA-LTE800-RH	Side Connector	380-430 / 790-850 MHz	100000522
Electrical Characteristics			
Frequency Range	380-430 MHz		790-850 MHz
Polarization	Circular (Right Hand)		
Half Power Beamwidth - H-Plane	Approx. 60°		
Half Power Beamwidth - E-Plane	Approx. 60°		
Gain	Approx. 7.0 dBic		
Impedance	Nom. 50Ω		
SWR	≤ 2.0		
Intermodulation	Not Rated		
Maximum Input Power	35 Watts		
Connector	N-Type Female		
Electrical Characteristics for Built-In Diplexer			
Model Number	DIPX 500/800		
Frequency	Low Port: 0-500 MHz	High Port: 800-1300 MHz	
Maximum Input Power	35 Watts Each Port		
Insertion Loss	0.7 dB	0.7 dB	
Isolation	Low to High Port: 45 dB		
Mechanical Characteristics			
Dimensions (approximate)	Length: 415 mm (16.3 in) Width: 415 mm (16.3 in) Height: 70 mm (2.8 in)		
Weight (approximate)	1.9 kg (4.2 lbs)		
Temperature Range	-30° C to +75° C (-22° F to +167° F)		
Colour	Marine White		
Materials	Cover	PS White	
	Chassis	Aluminium	
Mounting	Ø4.5 mm (0.2 in). Four holes.		

Quoted performance parameters are provided to offer typical, peak or range values only and may vary as a result of normal testing, manufacturing and operational conditions. Extreme operational conditions and/or stress on structural supports is beyond our control. Such conditions may result in damage to this product. Improvements to products may be made without notice.

PCPI-TETRA-LTE800-RH

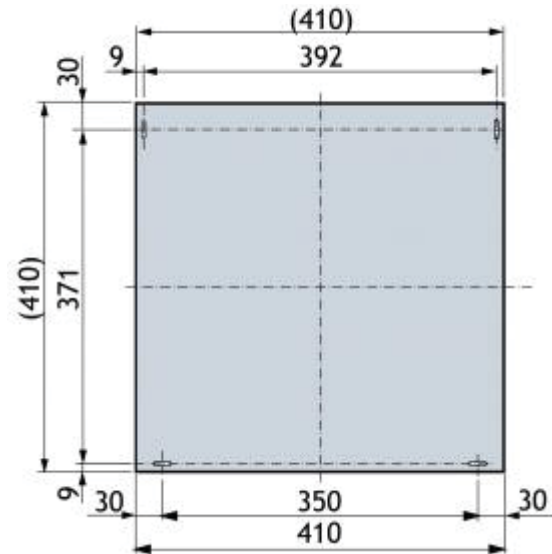
2-Band | 1-Port | Right Hand Circular Polarization | 60° | TETRA & LTE Bands | 7.0 dBic | SISO | Indoor

CONFIGURATION

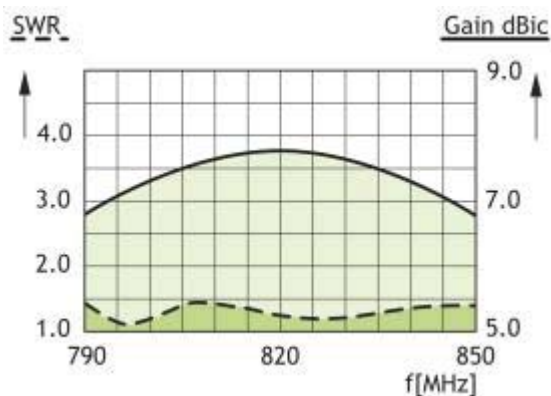
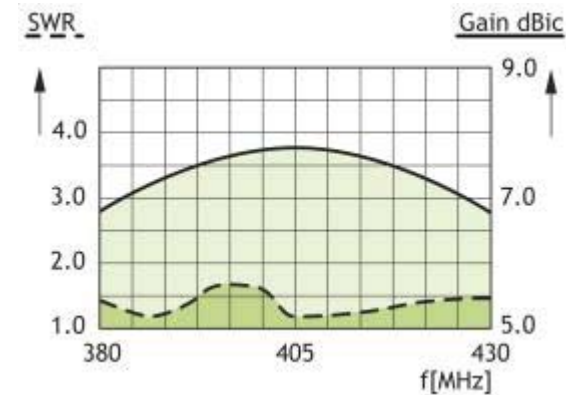


MOUNTING DETAILS

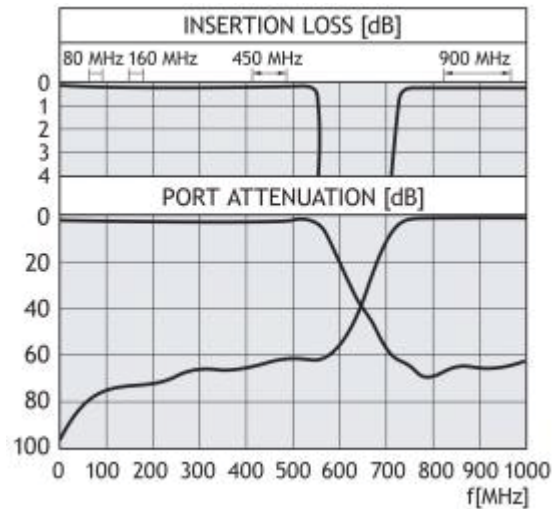
Dimensions excluding cover



TYPICAL GAIN and SWR CURVES



BUILT-IN DIPLEXER



Quoted performance parameters are provided to offer typical, peak or range values only and may vary as a result of normal testing, manufacturing and operational conditions. Extreme operational conditions and/or stress on structural supports is beyond our control. Such conditions may result in damage to this product. Improvements to products may be made without notice.