

PCPI-70-900-1800-PCS-UMTS-R

5-Band | 1-Port | Right Hand Circular Polarization | 60° | 450 MHz / GSM / DCS / PCS / UMTS | 7.0 dBic | SISO | Indoor

Indoor right hand circularly polarized Antenna for the 450 MHz, GSM, DCS, PCS and UMTS bands

- 5-band indoor base station antenna - one antenna with five bands
- Right hand circularly polarized, 7 dBic antenna specially designed for closed rooms
- For indoor use e.g. on ceilings and walls inside ships and houses
- Circular polarization is chosen to improve link quality
- Built-in diplexers with low insertion loss make it possible to have only one connector



This model is available in the iBwave In-Building Network Components Database - www.ibwavecomponents.com

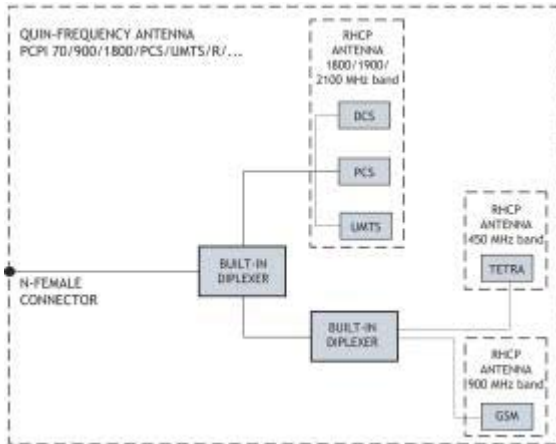
Ordering Options					
Type	Connector Location	Frequency Range			Product Number
PCPI-70-900-1800-PCS-UMTS-R-s	Side Connector	380-400 MHz, GSM, DCS, PCS, UMTS			100000391
PCPI-70-900-1800-PCS-UMTS-R-f	Side Connector	410-430 MHz, GSM, DCS, PCS, UMTS			100000392
PCPI-70-900-1800-PCS-UMTS-R-l	Side Connector	430-450 MHz, GSM, DCS, PCS, UMTS			100000393
PCPI-70-900-1800-PCS-UMTS-R-h	Side Connector	450-470 MHz, GSM, DCS, PCS, UMTS			100000394
Electrical Characteristics					
Frequency Range (MHz)	450	GSM	DCS	PCS	UMTS
	380-470	880-960	1710-1880	1850-1990	1910-2200
Polarization	Circular (Right Hand)				
Half Power Beamwidth - H-Plane	Approx. 60°				
Half Power Beamwidth - E-Plane	Approx. 60°				
Gain	Approx. 7.0 dBic				
Bandwidth	≥ 20 MHz @ SWR ≤ 2.0	≥ 80 MHz @ SWR ≤ 2.0	≥ 170 MHz @ SWR ≤ 3.0	≥ 140 MHz @ SWR ≤ 3.0	≥ 240 MHz @ SWR ≤ 3.0
Impedance	Nom. 50Ω				
SWR	≤ 1.5 f.res.				
Intermodulation	Not Rated				
Maximum Input Power	25 Watts				
Connector	N-Type Female				
Electrical Characteristics for Built-In Diplexers		DIPX 500/800		DIPX 1000/1550	
Frequency (MHz)	Low Port 0-500	High Port 800-1300	Low Port 0-1000	High Port 1550-2500	
Maximum Input Power	35 W Each Port		35 W Each Port		
Insertion Loss	≤ 0.7 dB	≤ 0.7 dB	≤ 0.8 dB	≤ 1.0 dB	
Isolation	Low to High Port: ≥ 45 dB		Low to High Port: ≥ 45 dB		
Mechanical Characteristics					
Dimensions (approximate)	Length: 415 mm (16.3 in) Width: 415 mm (16.3 in) Height: 70 mm (2.8 in)				
Weight (approximate)	2 kg (4.4 lbs)				
Colour	Marine White				
Materials	Cover	PS White			
	Chassis	Aluminium			
Mounting	Ø4.5 mm (0.2 in). Four holes.				

Quoted performance parameters are provided to offer typical, peak or range values only and may vary as a result of normal testing, manufacturing and operational conditions. Extreme operational conditions and/or stress on structural supports is beyond our control. Such conditions may result in damage to this product. Improvements to products may be made without notice.

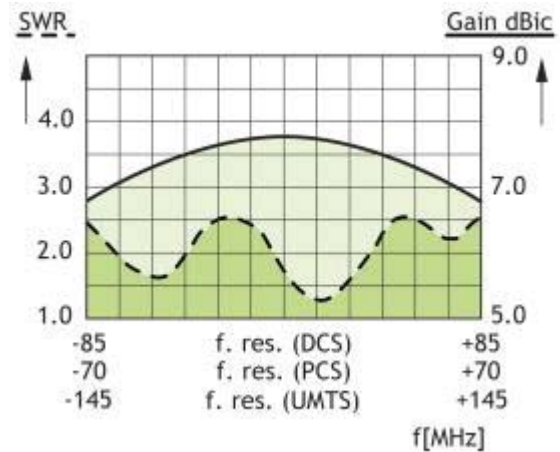
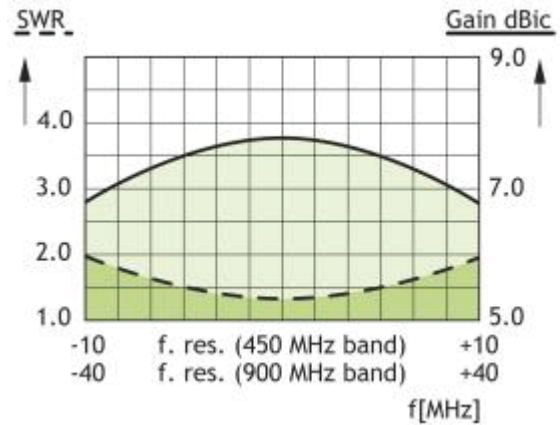
PCPI-70-900-1800-PCS-UMTS-R

5-Band | 1-Port | Right Hand Circular Polarization | 60° | 450 MHz / GSM / DCS / PCS / UMTS | 7.0 dBic | SISO | Indoor

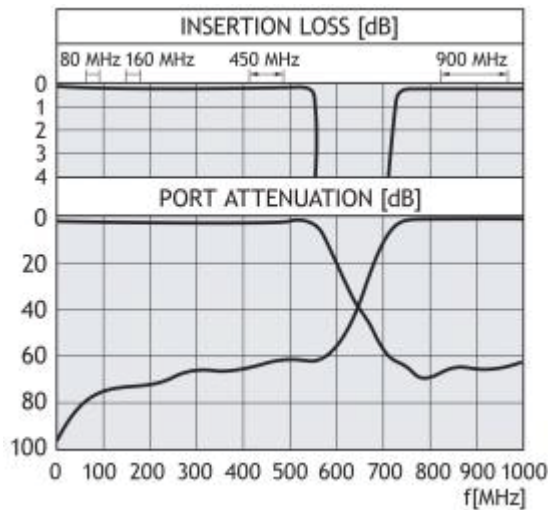
CONFIGURATION



TYPICAL GAIN and SWR CURVES



BUILT-IN DIPLEXER



Quoted performance parameters are provided to offer typical, peak or range values only and may vary as a result of normal testing, manufacturing and operational conditions. Extreme operational conditions and/or stress on structural supports is beyond our control. Such conditions may result in damage to this product. Improvements to products may be made without notice.