

P4-BB4U4L26-N0

P4-BB4U4L26-N0N, P4-BB4U4L26-S0, P4-BB4U4L26-S0N

Features

- 4 ports / 2 cross pol systems in the low band (694-960 MHz)
- 8 ports / 4 cross pol systems in the mid band (1695-2690 MHz)
- 8 ports / 4 cross pol systems in the very wide mid band (1427-2690 MHz)
- Integrated and field replaceable SRET
- Optional with Site Sharing feature (Model name suffix -S0, -S0N)
- Optional with Direct Pipe No Tilt mounting hardware (Model name suffix -N0N, -S0N)
- Compliant with AISG v2.0 and 3GPP

PRODUCT OVERVIEW	Frequency Range (MHz)	(2x) 694-960		(4x) 1427-2690				(4x) 1695-2690			
	Array	■ R1	■ R2	■ Y1	■ Y2	■ Y7	■ Y8	■ Y3	■ Y4	■ Y5	■ Y6
	Connector	1-2	3-4	5-6	7-8	17-18	19-20	9-10	11-12	13-14	15-16
		20 PORTS									
	Polarization	XPOL									
	Azimuth Beamwidth (avg)	65°		65°				65°			
	Electrical Downtilt	2-12°		2-12°				2-12°			
Dimensions	2750 x 499 x 215 mm (108.3 x 19.6 x 8.5 in)										

ORDERING OPTIONS Select from the following ordering options

ANTENNA MODEL NUMBER	CONFIGURATION	MOUNTING HARDWARE	MOUNTING PIPE DIAMETER	SHIPPING WEIGHT	MOUNTING HARDWARE WEIGHT
P4-BB4U4L26-N0	ACU-I20-H12K Internal RET Included	APM50-HS Beam Tilt Kit Included	50-125 mm (2.0-4.9 in)	60.1 kg (132.5 lbs)	9.0 kg (19.8 lbs)
P4-BB4U4L26-N0N	ACU-I20-H12K Internal RET Included	APM50-HSN Direct Pipe No Tilt Mounting Kit Included	50-125 mm (2.0-4.9 in)	57.1 kg (125.9 lbs)	6.0 kg (13.2 lbs)
P4-BB4U4L26-S0	ACU-X20 Internal RET for Site Sharing Included	APM50-HS Beam Tilt Kit Included	50-125 mm (2.0-4.9 in)	60.1 kg (132.5 lbs)	9.0 kg (19.8 lbs)
P4-BB4U4L26-S0N	ACU-X20 Internal RET for Site Sharing Included	APM50-HSN Direct Pipe No Tilt Mounting Kit Included	50-125 mm (2.0-4.9 in)	57.1 kg (125.9 lbs)	6.0 kg (13.2 lbs)



Quoted performance parameters are provided to offer typical, peak or range values only and may vary as a result of normal testing, manufacturing and operational conditions. Extreme operational conditions and/or stress on structural supports is beyond our control. Such conditions may result in damage to this product. Improvements to products may be made without notice.

65°

2750 mm

INTEGRATED RET

SITE SHARING OPTIONAL

P4-BB4U4L26-N0

P4-BB4U4L26-N0N, P4-BB4U4L26-S0, P4-BB4U4L26-S0N

ELECTRICAL SPECIFICATIONS

■ R1 ■ R2

Frequency Range		MHz	694-960		
		MHz	694-806	790-894	880-960
Polarization		---	±45°		
Gain	Over all Tilts	dBi	16.3 ± 0.6	16.5 ± 0.7	16.5 ± 0.6
	Max Gain	dBi	16.9	17.2	17.1
Azimuth Beamwidth (3 dB)		degrees	64.9° ± 4.6°	61.3° ± 3.7°	57.3° ± 5.4°
Elevation Beamwidth (3 dB)		degrees	7.6° ± 0.4°	7.1° ± 0.5°	6.5° ± 0.4°
Electrical Downtilt		degrees	2-12°		
Impedance		Ohms	50Ω		
VSWR (Return Loss)		---	1.5:1 (-14 dB)		
Passive Intermodulation 3rd Order, 2 x 43dBm		dBc	-153		
Front-to-Back Ratio, Total Power, ± 30°		dB	20.1	20.3	19.8
First Upper Side Lobe Suppression		dB	15.2	16.9	17.1
Cross Polar Discrimination at Boresight		dB	19.2	20.6	23.3
Maximum Effective Power Per Port		Watts	250 W		
Cross Polar Isolation		dB	26		
Interband Isolation		dB	26		

Specifications follow BASTA guidelines.

ELECTRICAL SPECIFICATIONS

■ Y1 ■ Y2 ■ Y7 ■ Y8

Frequency Range		MHz	1427-2690					
		MHz	1427-1518	1695-1880	1850-1990	1920-2170	2300-2400	2500-2690
Polarization		---	±45°					
Gain	Over all Tilts	dBi	15.7 ± 0.6	17.2 ± 0.8	17.6 ± 0.4	17.8 ± 0.7	17.4 ± 0.5	17.5 ± 0.6
	Max Gain	dBi	16.3	18.0	18.0	18.5	17.9	18.1
Azimuth Beamwidth (3 dB)		degrees	76.6° ± 2.9°	69.5° ± 7.8°	67.7° ± 3.2°	67.0° ± 3.9°	59.9° ± 3.4°	59.9° ± 6.6°
Elevation Beamwidth (3 dB)		degrees	7.9° ± 0.4°	6.9° ± 0.5°	6.5° ± 0.4°	6.1° ± 0.5°	5.5° ± 0.3°	5.1° ± 0.4°
Electrical Downtilt		degrees	2-12°					
Impedance		Ohms	50Ω					
VSWR (Return Loss)		---	1.5:1 (-14 dB)					
Passive Intermodulation 3rd Order, 2 x 43dBm		dBc	-153					
Front-to-Back Ratio, Total Power, ± 30°		dB	19.6	23.0	23.7	24.5	21.8	19.2
First Upper Side Lobe Suppression		dB	15.1	17.9	17.7	17.7	16.9	16.2
Cross Polar Discrimination at Boresight		dB	17.8	22.9	26.3	20.3	17.7	17.0
Maximum Effective Power Per Port		Watts	200 W					
Cross Polar Isolation		dB	26					
Interband Isolation		dB	26					

Specifications follow BASTA guidelines.

Quoted performance parameters are provided to offer typical, peak or range values only and may vary as a result of normal testing, manufacturing and operational conditions. Extreme operational conditions and/or stress on structural supports is beyond our control. Such conditions may result in damage to this product. Improvements to products may be made without notice.

P4-BB4U4L26-N0

P4-BB4U4L26-N0N, P4-BB4U4L26-S0, P4-BB4U4L26-S0N

ELECTRICAL SPECIFICATIONS

■ Y3 ■ Y4 ■ Y5 ■ Y6

Frequency Range		MHz	1695-2690				
		MHz	1695-1880	1850-1990	1920-2170	2300-2400	2500-2690
Polarization		---	±45°				
Gain	Over all Tilts	dBi	17.1 ± 0.7	17.4 ± 0.5	17.7 ± 0.8	17.4 ± 0.7	17.7 ± 0.6
	Max Gain	dBi	17.8	17.9	18.5	18.1	18.3
Azimuth Beamwidth (3 dB)		degrees	68.1° ± 6.8°	65.4° ± 4.9°	65.7° ± 4.5°	55.1° ± 5.5°	59.3° ± 6.1°
Elevation Beamwidth (3 dB)		degrees	6.8° ± 0.5°	6.4° ± 0.5°	6.1° ± 0.7°	5.4° ± 0.3°	5.0° ± 0.4°
Electrical Downtilt		degrees	2-12°				
Impedance		Ohms	50Ω				
VSWR (Return Loss)		---	1.5:1 (-14 dB)				
Passive Intermodulation 3rd Order, 2 x 43dBm		dBc	-153				
Front-to-Back Ratio, Total Power, ± 30°		dB	24.8	25.7	27.9	28.1	25.2
First Upper Side Lobe Suppression		dB	16.3	16.8	16.5	17.6	17.4
Cross Polar Discrimination at Boresight		dB	22.6	21.9	19.0	16.3	19.6
Maximum Effective Power Per Port		Watts	200 W				
Cross Polar Isolation		dB	26				
Interband Isolation		dB	26				

Specifications follow BASTA guidelines.

P4-BB4U4L26-N0

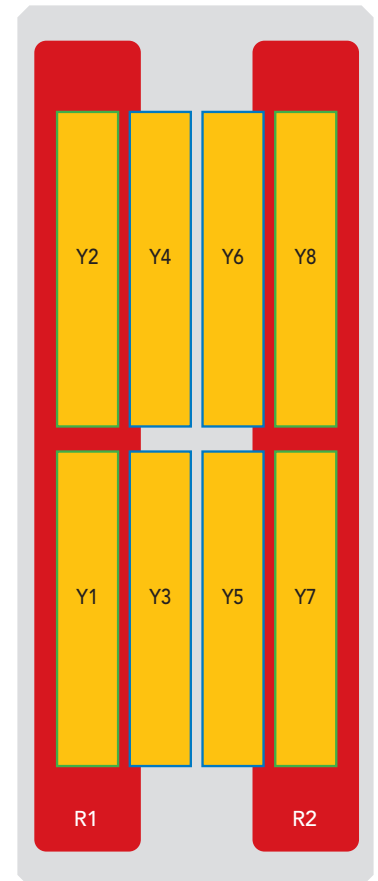
P4-BB4U4L26-N0N, P4-BB4U4L26-S0, P4-BB4U4L26-S0N

BOTTOM VIEW - LABELING



ARRAY LAYOUT

ARRAY	FREQUENCY	CONNECTOR	CONNECTOR TYPE	RET	AISG RET UID
■ R1	694-960 MHz	1-2	(2x) 4.3-10 Female	R1	RFxxxxxxxxxx-R1
■ R2	694-960 MHz	3-4	(2x) 4.3-10 Female	R2	RFxxxxxxxxxx-R2
■ Y1	1427-2690 MHz	5-6	(2x) 4.3-10 Female	Y1	RFxxxxxxxxxx-Y1
■ Y2	1427-2690 MHz	7-8	(2x) 4.3-10 Female	Y2	RFxxxxxxxxxx-Y2
■ Y3	1695-2690 MHz	9-10	(2x) 4.3-10 Female	Y3	RFxxxxxxxxxx-Y3
■ Y4	1695-2690 MHz	11-12	(2x) 4.3-10 Female	Y4	RFxxxxxxxxxx-Y4
■ Y5	1695-2690 MHz	13-14	(2x) 4.3-10 Female	Y5	RFxxxxxxxxxx-Y5
■ Y6	1695-2690 MHz	15-16	(2x) 4.3-10 Female	Y6	RFxxxxxxxxxx-Y6
■ Y7	1427-2690 MHz	17-18	(2x) 4.3-10 Female	Y7	RFxxxxxxxxxx-Y7
■ Y8	1427-2690 MHz	19-20	(2x) 4.3-10 Female	Y8	RFxxxxxxxxxx-Y8



The illustration is not shown to scale.

Quoted performance parameters are provided to offer typical, peak or range values only and may vary as a result of normal testing, manufacturing and operational conditions. Extreme operational conditions and/or stress on structural supports is beyond our control. Such conditions may result in damage to this product. Improvements to products may be made without notice.

65°

2750 mm

INTEGRATED RET

SITE SHARING OPTIONAL

P4-BB4U4L26-N0

P4-BB4U4L26-N0N, P4-BB4U4L26-S0, P4-BB4U4L26-S0N

MECHANICAL SPECIFICATIONS

Length	mm (in)	2750 (108.3)
Width	mm (in)	499 (19.6)
Depth	mm (in)	215 (8.5)
Net Weight - Antenna Only	kg (lbs)	43 (94.8)
Wind Load Rated at 150 km/h (93 mph)	Front	N (lbf) 923 (207)
	Side	N (lbf) 792 (178)
	Rear	N (lbf) 1096 (246)
Survival Wind Speed	km/h (mph)	200 (124)
Connector Type	--	(20x) 4.3-10 Female, (2x) AISG Connectors (1 Male, 1 Female) at Bottom Site Sharing: (4x) AISG Connectors (2 Male, 2 Female) at Bottom
Radome Color	---	Light Grey
Radome Material	---	Fiberglass
Lightning Protection	---	DC Ground
Shipping	Packing Size (Length x Width x Depth)	mm (in) 2930 x 594 x 335 (115.3 x 23.4 x 13.2)

ENVIRONMENTAL SPECIFICATIONS

Environmental Standard	---	ETS 300 019
Operating Temperature	degrees	-40° to +60° C (-40° to +140° F)
Product Environmental Compliance	---	Product is RoHS Compliant

Quoted performance parameters are provided to offer typical, peak or range values only and may vary as a result of normal testing, manufacturing and operational conditions. Extreme operational conditions and/or stress on structural supports is beyond our control. Such conditions may result in damage to this product. Improvements to products may be made without notice.

65°

2750 mm

INTEGRATED RET

SITE SHARING OPTIONAL

P4-BB4U4L26-N0

P4-BB4U4L26-N0N, P4-BB4U4L26-S0, P4-BB4U4L26-S0N

ACCESSORIES

Accessories may be ordered separately unless otherwise indicated.

ITEM	MODEL NUMBER	WEIGHT
Beam Tilt Mounting Bracket Kit for Pole Diameter 50-125 mm (2.0-4.9 in) <i>Refer to ordering options</i>	APM50-HS	9.0 kg (19.8 lbs)
Direct Pipe No Tilt Bracket Kit for Pole Diameter 50-125 mm (2.0-4.9 in) <i>Refer to ordering options</i>	APM50-HSN	6.0 kg (13.2 lbs)

INSTALLATION

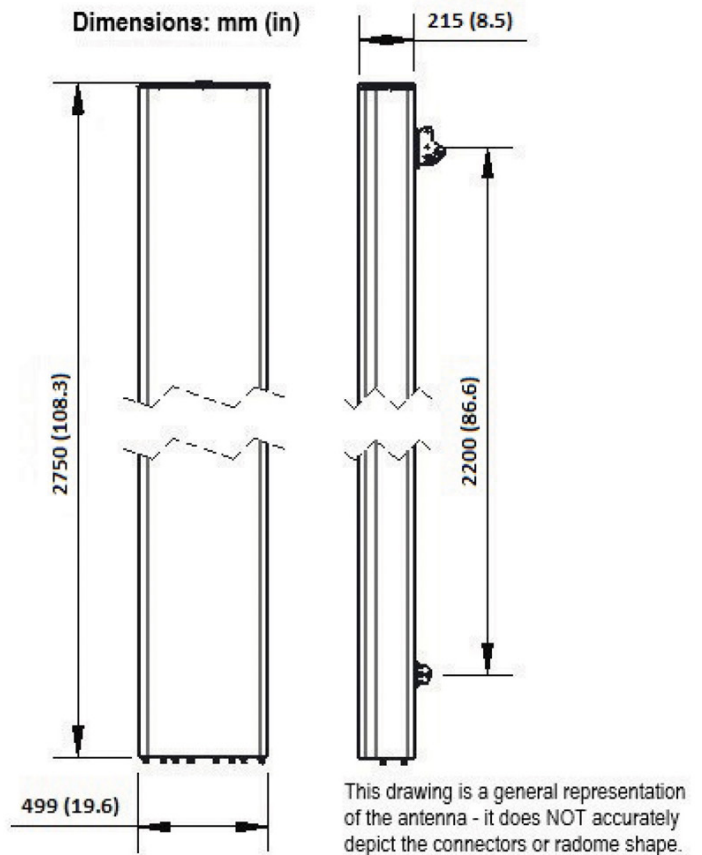
Please read all installation notes before installing product.



- Always attach the antenna using all mounting points.
- Do not install antenna with the connectors facing upwards.

EXTERNAL DOCUMENT LINKS

[APM50 Mounting Kit Series Installation Instructions](#)



NOTES

Specifications follow BASTA guidelines.

For additional mounting information, please check **External Document Links**.

For Radiating Patterns: [Request pattern files](#)

Quoted performance parameters are provided to offer typical, peak or range values only and may vary as a result of normal testing, manufacturing and operational conditions. Extreme operational conditions and/or stress on structural supports is beyond our control. Such conditions may result in damage to this product. Improvements to products may be made without notice.