

## HTXCW631619x100

Dual Band | Diplexed | Panel Antenna | XX-Pol | 63° / 63° | 15.4 / 17.5 dBi | Variable Tilt

- Dual band, diplexed, XX-Pol, variable tilt, panel antenna
- Features an adjustable mounting bracket channel for custom mounting in any situation

Ordering Options	Model Number
When ordering, replace "x" in the model number with one of the options listed below.	
Manual Electrical Tilt	HTXCW631619M100
Remote Electrical Tilt AISG v1.1	HTXCW631619R100
Remote Electrical Tilt AISG v2.0 / 3GPP	HTXCW631619R100G
Remote Electrical Tilt Ericsson Proprietary	HTXCW631619R100E

Mounting bracket kits and other accessories are ordered separately.



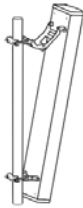
Electrical Characteristics	696-960 MHz		1710-2170 MHz		
	696-806	806-960	1710-1880	1850-1990	1920-2170
Frequency Bands (MHz)	696-806	806-960	1710-1880	1850-1990	1920-2170
Polarization	±45°		±45°		
Horizontal Beamwidth	65°	63°	65°	63°	61°
Vertical Beamwidth	9°	8.5°	6°	5.5°	5°
Gain	15.0 dBi	15.4 dBi	16.5 dBi	17.0 dBi	17.5 dBi
Electrical Downtilt	2-10°		2-10°		
Impedance	50Ω				
VSWR	≤ 1.5:1		≤ 1.5:1		
Upper Sidelobe Suppression (0°)	> 16 dB		> 16 dB		
Front-to-Back Ratio (±30°)	> 30 dB		> 30 dB		
Isolation Between Ports (intra-band)	< -25 dB				
IM3 (3rd order for 2x20W carrier)	< -153 dBc				
Input Power	500 W		250 W		
Lightning Protection	Direct Ground				
Connector(s)	2 Ports / EDIN / Female / Bottom				
Mechanical Characteristics					
Dimensions HTXCW631619M100 (LxWxD)	2095 x 304 x 180 mm		82.5 x 12.0 x 7.1 in		
Dimensions HTXCW631619R100 (LxWxD)	2274 x 304 x 194 mm		89.5 x 12.0 x 7.6 in		
Weight without Mounting Brackets	19.0 kg		41.9 lbs		
Survival Wind Speed	> 200 km/hr		> 125 mph		
Wind Loads (160 km/hr or 100 mph)	Front	780 N	175 lbf		
	Side	462 N	104 lbf		



Quoted performance parameters are provided to offer typical, peak or range values only and may vary as a result of normal testing, manufacturing and operational conditions. Extreme operational conditions and/or stress on structural supports is beyond our control. Such conditions may result in damage to this product. Improvements to products may be made without notice.

# HTXCW631619x100

Dual Band | Diplexed | Panel Antenna | XX-Pol | 63° / 63° | 15.4 / 17.5 dBi | Variable Tilt

Electrical Downtilt Control				
Remote Electrical Tilt (RET) Control	The remote control of the electrical tilt is managed by an external unit.			
RET Module Part Number (two per antenna)	The RET module is factory installed and does not need to be ordered separately.			
	Part Number for AISG v1.1 protocol:	RETU-EB01	Two units included with HTXCW631619R100	
	Part Number for AISG v2.0 / 3GPP protocol:	RETU-EG01	Two units included with HTXCW631619R100G	
	Part Number for Ericsson Proprietary protocol:	RETU-EE01	Two units included with HTXCW631619R100E	
<b>Important Installation Instructions</b> 	In order to operate RET control, the transparent caps covering the tilt adjustment indicators must be engaged and locked. Do not cut them from the antenna.			
	Do not install the antenna with the connectors facing upward.			
Mounting Options	Part Number	Image	Fits Pipe Diameter	Weight
All mounting bracket kits are ordered separately unless otherwise indicated. Select from the options listed below.				
Pole Mounting Bracket Kit	MKS04P01		40-115 mm 2.0-4.5 in	2.9 kg 6.4 lbs
Scissor Tilt Bracket Kit	MKS04T03		40-115 mm 2.0-4.5 in	4.1 kg 9.0 lbs
Ordering Requirements				
HTXCW631619R100	Requires one (1) CC-05-C50-FM control cable jumper for connection between RET units.			
HTXCW631619R100G				
HTXCW631619R100E				

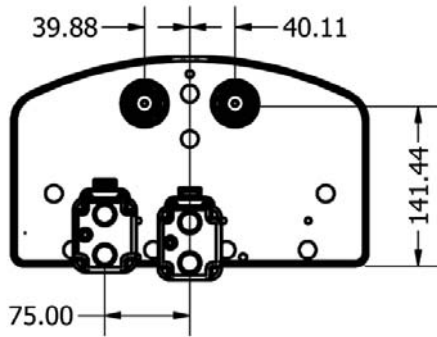
Quoted performance parameters are provided to offer typical, peak or range values only and may vary as a result of normal testing, manufacturing and operational conditions. Extreme operational conditions and/or stress on structural supports is beyond our control. Such conditions may result in damage to this product. Improvements to products may be made without notice.

# HTXCW631619x100

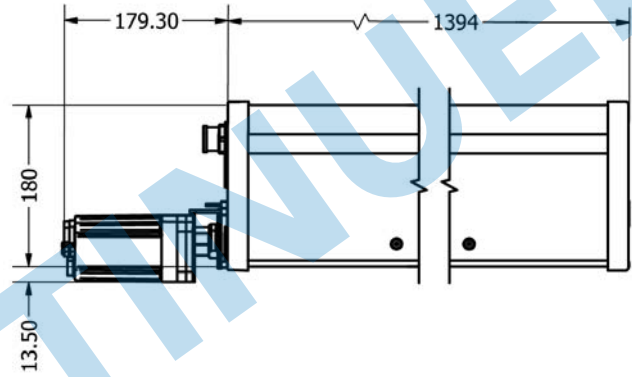
Dual Band | Diplexed | Panel Antenna | XX-Pol | 63° / 63° | 15.4 / 17.5 dBi | Variable Tilt

HTXCW631619R100

Bottom View / Dimensions



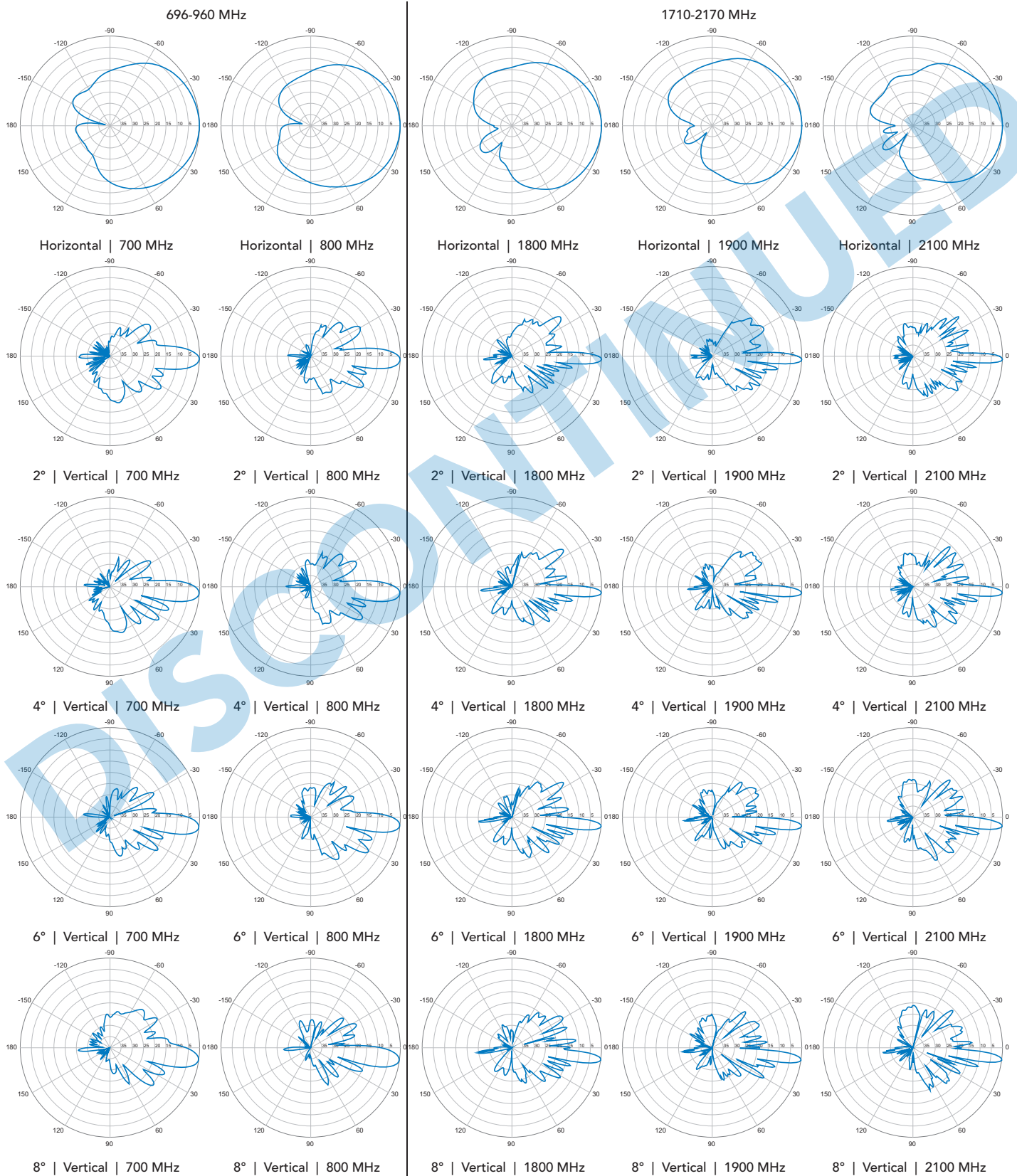
Side View / Dimensions



Quoted performance parameters are provided to offer typical, peak or range values only and may vary as a result of normal testing, manufacturing and operational conditions. Extreme operational conditions and/or stress on structural supports is beyond our control. Such conditions may result in damage to this product. Improvements to products may be made without notice.

HTXCW631619x100

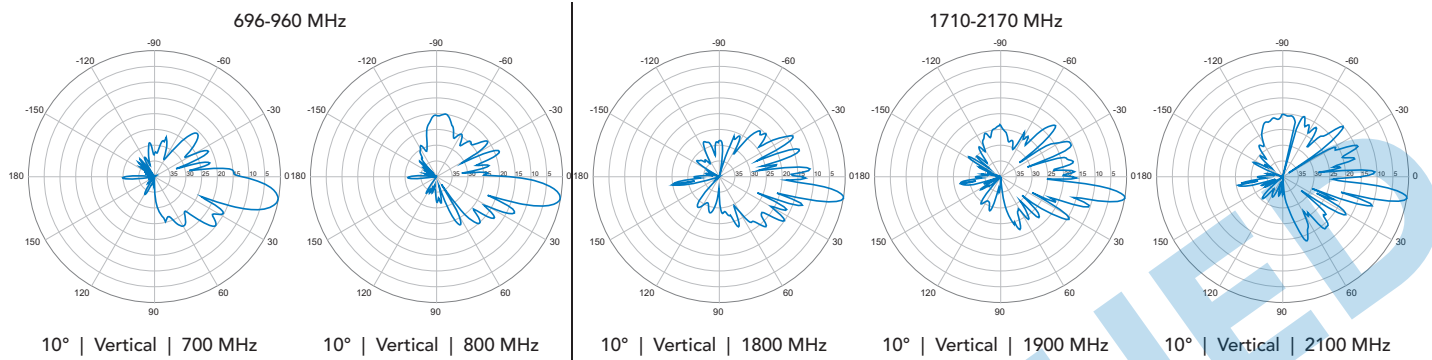
Dual Band | Diplexed | Panel Antenna | XX-Pol | 63° / 63° | 15.4 / 17.5 dBi | Variable Tilt



Quoted performance parameters are provided to offer typical, peak or range values only and may vary as a result of normal testing, manufacturing and operational conditions. Extreme operational conditions and/or stress on structural supports is beyond our control. Such conditions may result in damage to this product. Improvements to products may be made without notice.

# HTXCW631619x100

Dual Band | Diplexed | Panel Antenna | XX-Pol | 63° / 63° | 15.4 / 17.5 dBi | Variable Tilt



DISCONTINUED

Quoted performance parameters are provided to offer typical, peak or range values only and may vary as a result of normal testing, manufacturing and operational conditions. Extreme operational conditions and/or stress on structural supports is beyond our control. Such conditions may result in damage to this product. Improvements to products may be made without notice.