

## APXVL14B\_43-C-I20

### Features

- 2 ports / 1 cross pol system in very wide high band (1710-2690 MHz)
- Integrated and field replaceable SRET
- ACU HW version -2.02
- Compliant with AISG v2.0 and 3GPP



<b>PRODUCT OVERVIEW</b>	Frequency Range (MHz)	1710-2690
	Array	■ Y1
	Connector	1-2
		2 PORTS
	Polarization	XPOL
	Azimuth Beamwidth (avg)	65°
	Electrical Downtilt	2-12°
	Dimensions	1406 x 160 x 115 mm (55.4 x 6.3 x 4.5 in)

### ORDERING OPTIONS Select from the following ordering options

ANTENNA MODEL NUMBER	CONFIGURATION	MOUNTING HARDWARE	MOUNTING PIPE DIAMETER	SHIPPING WEIGHT
APXVL14B_43-C-I20	ACU-I20-B1 Internal RET Included	APM50-B3 Beam Tilt Kit Included	60-110 mm (2.4-4.3 in)	12.5 kg (28 lbs)



Quoted performance parameters are provided to offer typical, peak or range values only and may vary as a result of normal testing, manufacturing and operational conditions. Extreme operational conditions and/or stress on structural supports is beyond our control. Such conditions may result in damage to this product. Improvements to products may be made without notice.

## APXVL14B\_43-C-I20

### ELECTRICAL SPECIFICATIONS

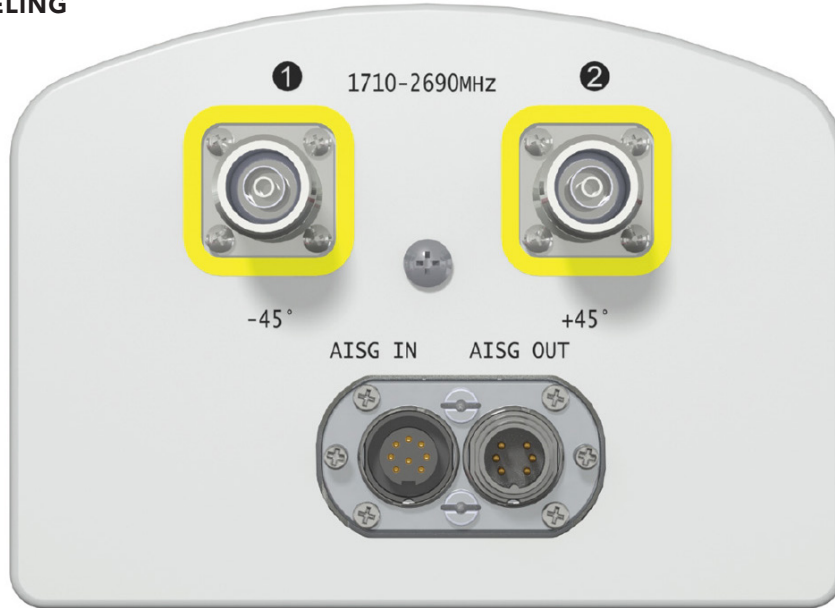
■ Y1

Frequency Range		MHz	1710-2690				
		MHz	1710-1880	1850-1990	1920-2170	2300-2400	2490-2690
Polarization		---	±45°				
Gain	Over all Tilts	dBi	16.7 ± 0.5	17.3 ± 0.2	17.5 ± 0.3	17.7 ± 0.5	17.8 ± 0.5
	Max Gain	dBi	17.2	17.5	17.8	18.2	18.3
Azimuth Beamwidth (3 dB)		degrees	71.2° ± 2.5°	68.2° ± 2.5°	67.3° ± 1.9°	64.5° ± 1.9°	61.8° ± 2.5°
Elevation Beamwidth (3 dB)		degrees	7.3° ± 0.4°	6.8° ± 0.3°	6.4° ± 0.5°	5.7° ± 0.2°	5.2° ± 0.3°
Electrical Downtilt		degrees	2-12°				
Impedance		Ohms	50Ω				
VSWR (Return Loss)		---	1.5:1 (-14 dB)				
Passive Intermodulation 3rd Order for 2x20 W Carriers		dBc	-150				
Front-to-Back Ratio, Total Power, ± 30°		dB	24.6	24.0	24.0	23.6	22.6
First Upper Side Lobe Suppression		dB	17.2	20.1	17.1	16.6	14.9
Cross Polar Discrimination Over Sector		dB	17.1	14.9	13.2	10.2	6.1
Cross Polar Discrimination (XPD) at Mechanical Boresight (0°)		dB	16.8	19.3	19.2	18.7	21.6
Maximum Effective Power Per Port		Watts	250 W				
Cross Polar Isolation		dB	28				

Specifications follow BASTA guidelines.

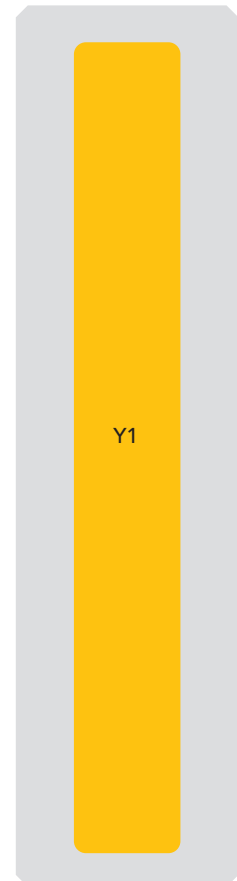
# APXVL14B\_43-C-I20

## BOTTOM VIEW - LABELING



## ARRAY LAYOUT

ARRAY	FREQUENCY	CONNECTOR	CONNECTOR TYPE	RET	AISG RET UID
■ Y1	1710-2690 MHz	1-2	(2x) 4.3-10 Female	Y1	RFxxxxxxxxxx-Y1



The illustration is not shown to scale.

Quoted performance parameters are provided to offer typical, peak or range values only and may vary as a result of normal testing, manufacturing and operational conditions. Extreme operational conditions and/or stress on structural supports is beyond our control. Such conditions may result in damage to this product. Improvements to products may be made without notice.

## APXVL14B\_43-C-I20

### MECHANICAL SPECIFICATIONS

Length	mm (in)	1406 (55.4)
Width	mm (in)	160 (6.3)
Depth	mm (in)	115 (4.5)
Net Weight - Antenna Only	kg (lbs)	7.5 (16.5)
Net Weight - Mounting Hardware Only	kg (lbs)	2.7 (6.0)
Wind Load Rated at 150 km/h (93 mph)	Front	N (lbf) 250 (56)
	Side	N (lbf) 154 (35)
	Rear	N (lbf) 270 (61)
Survival Wind Speed / Rated Wind Speed	km/h (mph)	200 (150)
Connector Type	--	(2x) 4.3-10 Female, (2x) AISG Connectors (1 Male, 1 Female) at Bottom
Radome Color	---	Light Grey RAL7035
Radome Material	---	Fiberglass
Lightning Protection	---	Direct Ground
<b>Shipping</b>	Packing Size (Length x Width x Depth)	mm (in) 1645 x 285 x 240 (64.8 x 11.2 x 9.4)
	Shipping Weight	kg (lbs) 12.5 (27.5)

### ENVIRONMENTAL SPECIFICATIONS

Environmental Standard	---	ETS 300 019
Operating Temperature	degrees	-40° to +60° C (-40° to +140° F)
Product Environmental Compliance	---	Product is RoHS Compliant

## APXVL14B\_43-C-I20

**ACCESSORIES** Accessories may be ordered separately unless otherwise indicated.

ITEM	MODEL NUMBER	WEIGHT
Beam Tilt Mounting Bracket Kit for Pole Diameter 60-110 mm (2.4-4.3 in) <i>Shipped with antenna</i>	APM50-B3	2.7 kg (6 lbs)

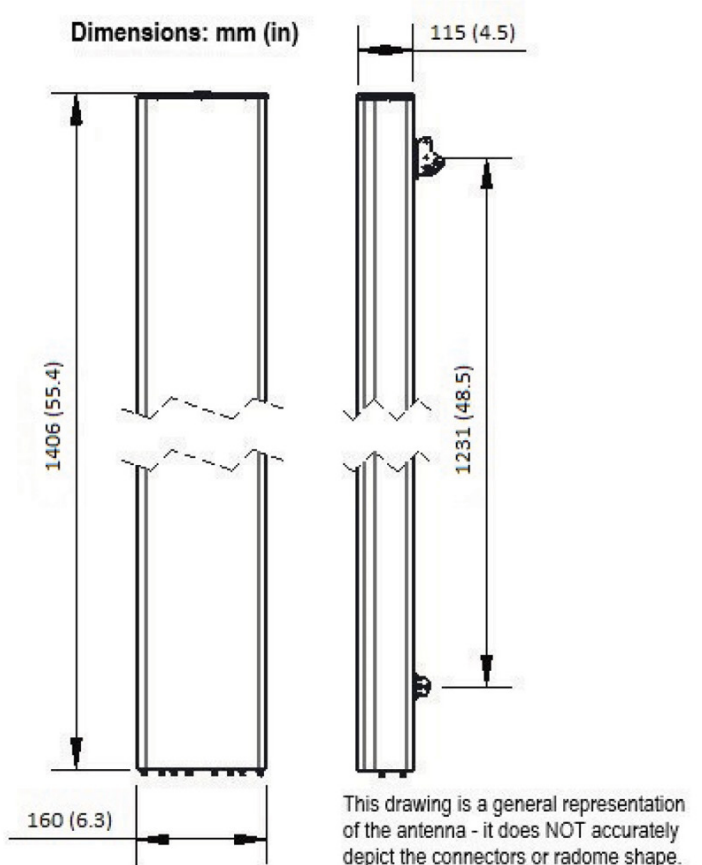
**INSTALLATION** Please read all installation notes before installing product.



- Always attach the antenna using all mounting points.
- Do not install antenna with the connectors facing upwards.

**EXTERNAL DOCUMENT LINKS**

[APM50 Mounting Kit Series Installation Instructions](#)



**NOTES**

- Specifications follow BASTA guidelines.
- For additional mounting information, please check **External Document Links**.
- For Radiating Patterns: [Request pattern files](#)

Quoted performance parameters are provided to offer typical, peak or range values only and may vary as a result of normal testing, manufacturing and operational conditions. Extreme operational conditions and/or stress on structural supports is beyond our control. Such conditions may result in damage to this product. Improvements to products may be made without notice.