

## APXVL08B\_43-C-I20 APXVL08B\_43-A-I20

### Features

- 2 ports / 1 cross pol system in very wide high band (1710-2690 MHz)
- Integrated and field replaceable SRET
- ACU HW version: 2.02
- Optional with Direct Pipe No Tilt mounting hardware (Model name suffix -A-I20)
- Compliant with AISG v2.0 and 3GPP



<b>PRODUCT OVERVIEW</b>	Frequency Range (MHz)	1710-2690
	Array	■ Y1
	Connector	1-2
		2 PORTS
	Polarization	XPOL
	Azimuth Beamwidth (avg)	65°
	Electrical Downtilt	2-12°
	Dimensions	776 x 160 x 115 mm (30.6 x 6.3 x 4.5 in)

### ORDERING OPTIONS Select from the following ordering options

ANTENNA MODEL NUMBER	CONFIGURATION	MOUNTING HARDWARE	MOUNTING PIPE DIAMETER	SHIPPING WEIGHT	MOUNTING HARDWARE WEIGHT
APXVL08B_43-C-I20	ACU-I20-B1 Internal Field Replaceable RET Included	APM50-B3 Beam Tilt Kit Included	60-110 mm (2.4-4.3 in)	12.4 kg (27.3 lbs)	2.7 kg (5.9 lbs)
APXVL08B_43-A-I20	ACU-I20-B1 Internal Field Replaceable RET Included	APM50-B3N Direct Pipe No Tilt Mounting Kit Included	60-110 mm (2.4-4.3 in)	11.9 kg (26.2 lbs)	2.2 kg (4.8 lbs)



Quoted performance parameters are provided to offer typical, peak or range values only and may vary as a result of normal testing, manufacturing and operational conditions. Extreme operational conditions and/or stress on structural supports is beyond our control. Such conditions may result in damage to this product. Improvements to products may be made without notice.

## APXVL08B\_43-C-I20 APXVL08B\_43-A-I20

### ELECTRICAL SPECIFICATIONS

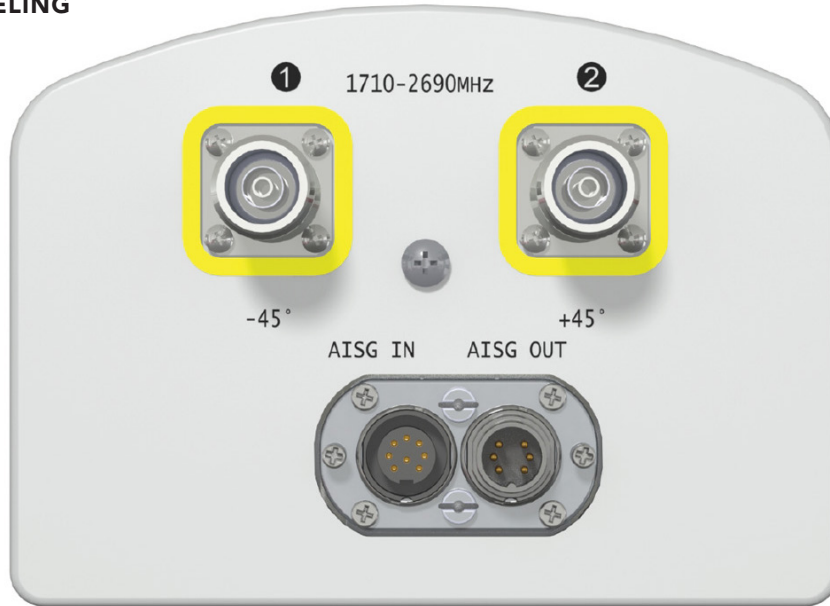
■ Y1

Frequency Range		MHz	1710-2690				
		MHz	1710-1880	1850-1990	1920-2170	2300-2400	2490-2690
Polarization		---	±45°				
Gain	Over all Tilts	dBi	14.2 ± 0.5	14.6 ± 0.3	14.6 ± 0.3	14.9 ± 0.2	14.8 ± 0.9
	Max Gain	dBi	14.7	14.9	14.9	15.1	15.7
Azimuth Beamwidth (3 dB)		degrees	73.2° ± 2.2°	70.8° ± 1.5°	68.8° ± 2.8°	65.1° ± 2.1°	62.8° ± 7.5°
Elevation Beamwidth (3 dB)		degrees	14.5° ± 1.0°	13.8° ± 0.6°	13.2° ± 0.8°	11.5° ± 0.6°	10.7° ± 0.6°
Electrical Downtilt		degrees	2-12°				
Impedance		Ohms	50Ω				
VSWR (Return Loss)		---	1.5:1 (-14 dB)				
Passive Intermodulation		dBc	-150 (3rd Order for 2x20 W Carriers)				
Front-to-Back Ratio, Total Power, ± 30°		dB	22.4	22.6	22.8	22.8	20.5
First Upper Side Lobe		dB	16.8	17.0	17.9	18.2	15.7
Cross-Pol Over Sector		dB	15.5	12.4	10.7	8.6	7.5
Cross Polar Discrimination (XPD) at Mechanical Boresight (0°)		dB	23.8	23.5	22.8	20.7	17.8
Maximum Effective Power Per Port		Watts	250 W				
Cross Polar Isolation		dB	26				

Quoted performance parameters are provided to offer typical, peak or range values only and may vary as a result of normal testing, manufacturing and operational conditions. Extreme operational conditions and/or stress on structural supports is beyond our control. Such conditions may result in damage to this product. Improvements to products may be made without notice.

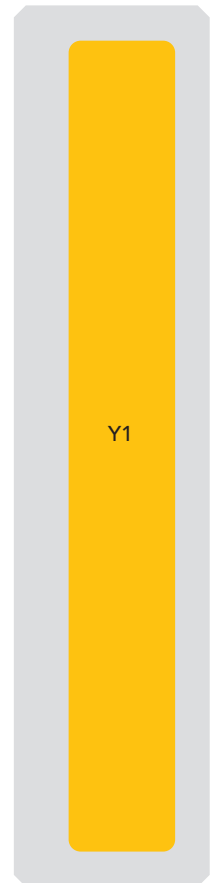
## APXVL08B\_43-C-I20 APXVL08B\_43-A-I20

### BOTTOM VIEW - LABELING



### ARRAY LAYOUT

ARRAY	FREQUENCY	CONNECTOR	CONNECTOR TYPE	RET	AISG RET UID
■ Y1	1710-2690 MHz	1-2	(2x) 4.3-10 Female	Y1	RFxxxxxxxxxx-Y1



The illustration is not shown to scale.

Quoted performance parameters are provided to offer typical, peak or range values only and may vary as a result of normal testing, manufacturing and operational conditions. Extreme operational conditions and/or stress on structural supports is beyond our control. Such conditions may result in damage to this product. Improvements to products may be made without notice.

## APXVL08B\_43-C-I20

### APXVL08B\_43-A-I20

#### MECHANICAL SPECIFICATIONS

Length	mm (in)	776 (30.6)
Width	mm (in)	160 (6.3)
Depth	mm (in)	115 (4.5)
Net Weight - Antenna Only	kg (lbs)	5.1 (11.2)
Wind Load Rated at 150 km/h (93 mph)	Front	N (lbf) 150 (34)
	Side	N (lbf) 180 (40)
	Rear	N (lbf) 98 (22)
Survival Wind Speed	km/h (mph)	200 (124)
Connector Type	--	(2x) 4.3-10 Female, (2x) AISG Connectors (1 Male, 1 Female) at Bottom
Radome Color	---	Light Grey RAL7035
Radome Material	---	Fiberglass
Lightning Protection	---	Direct Ground
<b>Shipping</b>	Packing Size (Length x Width x Depth)	mm (in) 1015 x 285 x 240 (40.0 x 11.2 x 9.4)

#### ENVIRONMENTAL SPECIFICATIONS

Environmental Standard	---	ETS 300 019
Operating Temperature	degrees	-40° to +60° C (-40° to +140° F)
Product Environmental Compliance	---	Product is RoHS Compliant

Quoted performance parameters are provided to offer typical, peak or range values only and may vary as a result of normal testing, manufacturing and operational conditions. Extreme operational conditions and/or stress on structural supports is beyond our control. Such conditions may result in damage to this product. Improvements to products may be made without notice.

## APXVL08B\_43-C-I20 APXVL08B\_43-A-I20

**ACCESSORIES** Accessories may be ordered separately unless otherwise indicated.

ITEM	MODEL NUMBER	WEIGHT
Beam Tilt Mounting Bracket Kit for Pole Diameter 60-110 mm (2.3-4.3 in) <i>Refer to ordering options</i>	APM50-B3	2.7 kg (5.9 lbs)
Direct Pipe No Tilt Bracket Kit for Pole Diameter 60-110 mm (2.3-4.3 in) <i>Refer to ordering options</i>	APM50-B3N	2.2 kg (4.8 lbs)

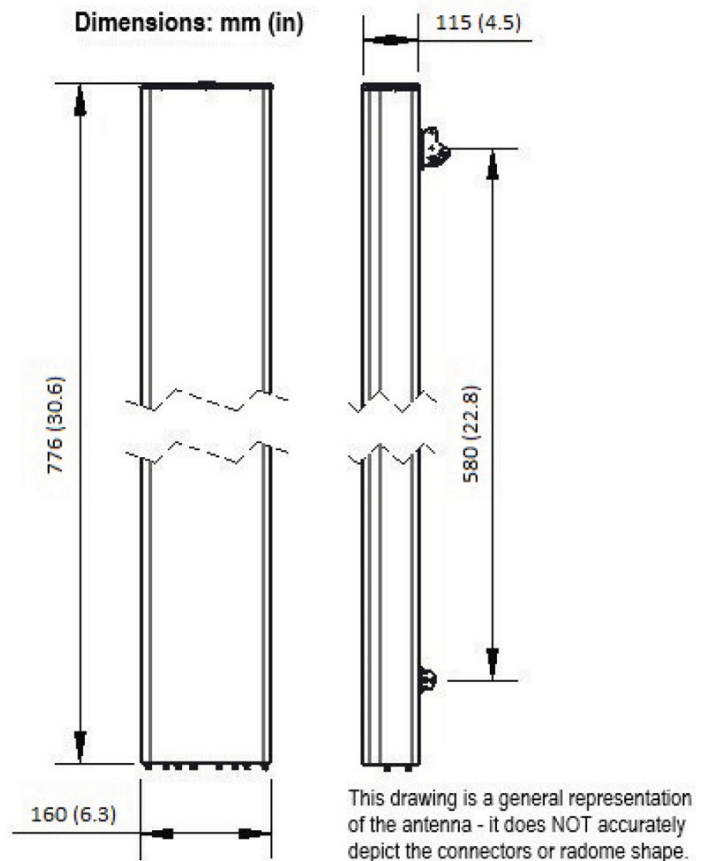
**INSTALLATION** Please read all installation notes before installing product.



- Always attach the antenna using all mounting points.
- Do not install antenna with the connectors facing upwards.

**EXTERNAL DOCUMENT LINKS**

[APM50 Mounting Kit Series Installation Instructions](#)



**NOTES**

Specifications follow BASTA guidelines.

For additional mounting information, please check **External Document Links**.

For Radiating Patterns: [Request pattern files](#)

Quoted performance parameters are provided to offer typical, peak or range values only and may vary as a result of normal testing, manufacturing and operational conditions. Extreme operational conditions and/or stress on structural supports is beyond our control. Such conditions may result in damage to this product. Improvements to products may be made without notice.