

APXVBL20B_43-C-I20

Features

- 2 ports / 1 cross pol system in low band (698-960 MHz)
- 2 ports / 1 cross pol system in high band (1710-2690 MHz)
- Integrated and field replaceable SRET
- ACU HW version: 2.02
- Compliant with AISG v2.0 and 3GPP



PRODUCT OVERVIEW	Frequency Range (MHz)	698-960	1710-2690
	Array	■ R1	■ Y1
	Connector	1-2	3-4
		4 PORTS	
	Polarization	XPOL	
	Azimuth Beamwidth (avg)	65°	65°
	Electrical Downtilt	2-12°	2-11°
	Dimensions	1950 x 350 x 200 mm (76.7 x 13.8 x 7.9 in)	

ORDERING OPTIONS Select from the following ordering options

ANTENNA MODEL NUMBER	CONFIGURATION	MOUNTING HARDWARE	MOUNTING PIPE DIAMETER	SHIPPING WEIGHT
APXVBL20B_43-C-I20	ACU-I20-B2 Internal RET Included	APM50-B1 Beam Tilt Kit Included	50-110 mm (2.0-4.3 in)	30 kg (66.1 lbs)



Quoted performance parameters are provided to offer typical, peak or range values only and may vary as a result of normal testing, manufacturing and operational conditions. Extreme operational conditions and/or stress on structural supports is beyond our control. Such conditions may result in damage to this product. Improvements to products may be made without notice.

APXVBL20B_43-C-I20

ELECTRICAL SPECIFICATIONS

■ R1

Frequency Range		MHz	698-960		
		MHz	698-806	790-894	880-960
Polarization		---	±45°		
Gain	Over all Tilts	dBi	15.4 ± 0.4	16.0 ± 0.4	16.4 ± 0.3
	Max Gain	dBi	15.8	16.4	16.7
Azimuth Beamwidth (3 dB)		degrees	68.3° ± 1.6°	66.2° ± 1.8°	65.4° ± 1.2°
Elevation Beamwidth (3 dB)		degrees	12.2° ± 1.0°	10.8° ± 0.7°	9.5° ± 0.7°
Electrical Downtilt		degrees	2-12°		
Impedance		Ohms	50Ω		
VSWR (Return Loss)		---	1.5:1 (-14 dB)		
Passive Intermodulation		dBc	-150 (3rd Order for 2x20 W Carriers)		
Front-to-Back Ratio, Total Power, ± 30°		dB	25.4	25.3	23.8
First Upper Side Lobe Suppression		dB	20.2	18	13.5
Cross Polar Discrimination Over Sector		dB	11.4	10	9.6
Cross Polar Discrimination (XPD) at Mechanical Boresight (0°)		dB	25.8	24.9	23.4
Maximum Effective Power Per Port		Watts	350 W		
Cross Polar Isolation		dB	26		
Interband Isolation		dB	26		

Specifications follow BASTA guidelines.

ELECTRICAL SPECIFICATIONS

■ Y1

Frequency Range		MHz	1710-2690				
		MHz	1710-1880	1850-1990	1920-2170	2300-2400	2490-2690
Polarization		---	±45°				
Gain	Over all Tilts	dBi	16.4 ± 0.4	16.7 ± 0.3	16.8 ± 0.5	16.1 ± 0.7	16.8 ± 0.6
	Max Gain	dBi	16.8	17.0	17.3	16.8	17.4
Azimuth Beamwidth (3 dB)		degrees	62.5° ± 6.4°	67.6° ± 4.6°	65.9° ± 7.9°	67.9° ± 4.9°	62.6° ± 3.6°
Elevation Beamwidth (3 dB)		degrees	6.6° ± 0.5°	6.2° ± 0.4°	5.8° ± 0.6°	5.0° ± 0.4°	4.6° ± 0.3°
Electrical Downtilt		degrees	2-11°				
Impedance		Ohms	50Ω				
VSWR (Return Loss)		---	1.5:1 (-14 dB)				
Passive Intermodulation		dBc	-150 (3rd Order for 2x20 W Carriers)				
Front-to-Back Ratio, Total Power, ± 30°		dB	20.3	22.2	22.7	22.9	23.4
First Upper Side Lobe Suppression		dB	16.9	17.5	17.9	14.6	14.9
Cross Polar Discrimination Over Sector		dB	9.1	8.9	7.6	8.7	1.6
Cross Polar Discrimination (XPD) at Mechanical Boresight (0°)		dB	21.9	22.7	22.7	17.7	18.2
Maximum Effective Power Per Port		Watts	250 W				
Cross Polar Isolation		dB	26				
Interband Isolation		dB	26				

Specifications follow BASTA guidelines.

Quoted performance parameters are provided to offer typical, peak or range values only and may vary as a result of normal testing, manufacturing and operational conditions. Extreme operational conditions and/or stress on structural supports is beyond our control. Such conditions may result in damage to this product. Improvements to products may be made without notice.

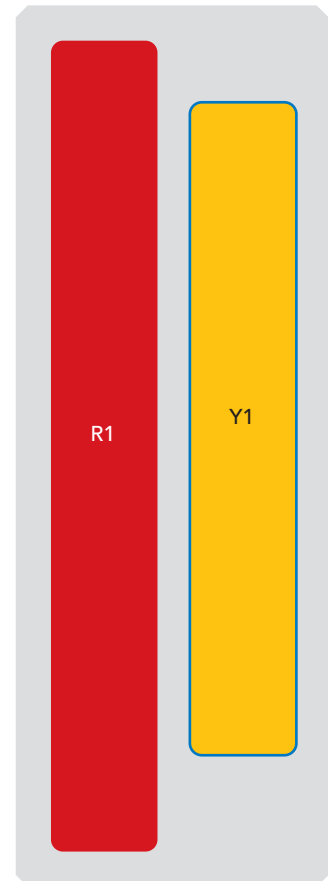
APXVBL20B_43-C-I20

BOTTOM VIEW - LABELING



ARRAY LAYOUT

ARRAY	FREQUENCY	CONNECTOR	CONNECTOR TYPE	RET	AISG RET UID
■ R1	698-960 MHz	1-2	(2x) 4.3-10 Female	R1	RFxxxxxxxxxx-R1
■ Y1	1710-2690 MHz	3-4	(2x) 4.3-10 Female	Y1	RFxxxxxxxxxx-Y1



The illustration is not shown to scale.

Quoted performance parameters are provided to offer typical, peak or range values only and may vary as a result of normal testing, manufacturing and operational conditions. Extreme operational conditions and/or stress on structural supports is beyond our control. Such conditions may result in damage to this product. Improvements to products may be made without notice.

APXVBL20B_43-C-I20

MECHANICAL SPECIFICATIONS

Length	mm (in)	1950 (76.7)
Width	mm (in)	350 (13.8)
Depth	mm (in)	200 (7.9)
Net Weight - Antenna Only	kg (lbs)	21 (46.3)
Net Weight - Mounting Hardware Only	kg (lbs)	4.5 (9.9)
Wind Load Rated at 150 km/h (93 mph)	Front	N (lbf) 880 (198)
	Side	N (lbf) 456 (103)
	Rear	N (lbf) 498 (112)
Survival Wind Speed / Rated Wind Speed	km/h (mph)	200 (150)
Connector Type	--	(4x) 4.3-10 Female, (2x) AISG Connectors (1 Male, 1 Female) at Bottom
Radome Color	---	Light Grey RAL7035
Radome Material	---	Fiberglass
Lightning Protection	---	DC Ground
Shipping	Packing Size (Length x Width x Depth)	mm (in) 2200 x 445 x 295 (86.6 x 17.5 x 11.6)
	Shipping Weight	kg (lbs) 30 (66.1)

ENVIRONMENTAL SPECIFICATIONS

Environmental Standard	---	ETS 300 019
Operating Temperature	degrees	-40° to +60° C (-40° to +140° F)
Product Environmental Compliance	---	Product is RoHS Compliant

APXVBL20B_43-C-I20

ACCESSORIES

Accessories may be ordered separately unless otherwise indicated.

ITEM	MODEL NUMBER	WEIGHT
Beam Tilt Mounting Bracket Kit for Pole Diameter 50-110 mm (2.0-4.3 in) <i>Shipped with antenna</i>	APM50-B1	4.5 kg (9.9 lbs)

INSTALLATION

Please read all installation notes before installing product.

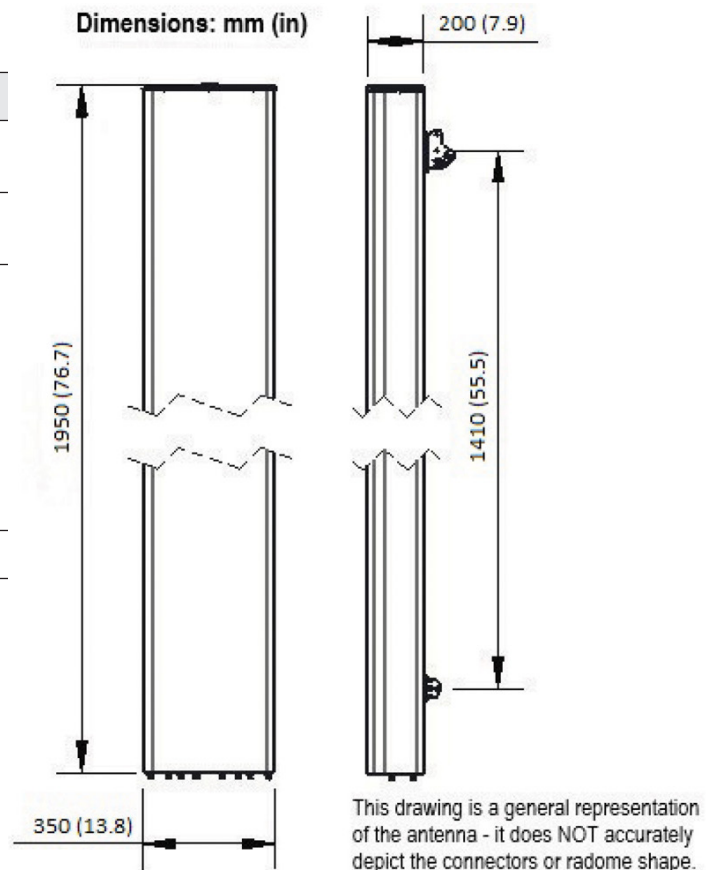


Always attach the antenna using all mounting points.

Do not install antenna with the connectors facing upwards.

EXTERNAL DOCUMENT LINKS

[APM50 Mounting Kit Series Installation Instructions](#)



NOTES

Specifications follow BASTA guidelines.

For additional mounting information, please check **External Document Links**.

For Radiating Patterns: [Request pattern files](#)