

APXVB26B_43-C-I20 APXVB26B_43-A-I20

Features

- 2 ports / 1 cross pol system in low band (698-960 MHz)
- Integrated and field replaceable SRET
- ACU HW version -2.02
- Optional with Direct Pipe No Tilt mounting hardware (Model name suffix -A-I20)
- Compliant with AISG v2.0 and 3GPP



PRODUCT OVERVIEW	Frequency Range (MHz)	698-960
	Array	■ R1
	Connector	1-2
		2 PORTS
	Polarization	XPOL
	Azimuth Beamwidth (avg)	65°
	Electrical Downtilt	2-12°
	Dimensions	2495 x 320 x 140 mm (98.2 x 12.6 x 5.5 in)

ORDERING OPTIONS Select from the following ordering options

ANTENNA MODEL NUMBER	CONFIGURATION	MOUNTING HARDWARE	MOUNTING PIPE DIAMETER	SHIPPING WEIGHT	MOUNTING HARDWARE WEIGHT
APXVB26B_43-C-I20	ACU-I20-B1 Internal RET Included	APM50-B1 Beam Tilt Kit Included	50-110 mm (2.0-4.3 in)	31.5 kg (69.4 lbs)	4.5 kg (9.9 lbs)
APXVB26B_43-A-I20	ACU-I20-B1 Internal RET Included	APM50-B1N Direct Pipe No Tilt Mounting Kit Included	50-110 mm (2.0-4.3 in)	30.4 kg (67.0 lbs)	3.4 kg (7.5 lbs)



Quoted performance parameters are provided to offer typical, peak or range values only and may vary as a result of normal testing, manufacturing and operational conditions. Extreme operational conditions and/or stress on structural supports is beyond our control. Such conditions may result in damage to this product. Improvements to products may be made without notice.

APXVB26B_43-C-I20

APXVB26B_43-A-I20

ELECTRICAL SPECIFICATIONS

■ R1

Frequency Range		MHz	698-960		
		MHz	698-806	790-894	880-960
Polarization		---	±45°		
Gain	Over all Tilts	dBi	16.4 ± 0.5	17.0 ± 0.1	17.2 ± 0.5
	Max Gain	dBi	16.9	17.1	17.7
Azimuth Beamwidth (3 dB)		degrees	68.7° ± 1.5°	66.5° ± 2.0°	63.4° ± 1.5°
Elevation Beamwidth (3 dB)		degrees	8.8° ± 1.0°	8.0° ± 0.7°	7.1° ± 0.5°
Electrical Downtilt		degrees	2-12°		
Impedance		Ohms	50Ω		
VSWR (Return Loss)		---	1.5:1 (-14 dB)		
Passive Intermodulation 3rd Order for 2x20 W Carriers		dBc	-153		
Front-to-Back Ratio, Total Power, ± 30°		dB	24	26	25.8
First Upper Side Lobe Suppression		dB	19.3	18	17
Cross Polar Discrimination Over Sector		dB	13	11.4	10
Cross Polar Discrimination (XPD) at Mechanical Boresight (0°)		dB	25	24	27
Maximum Effective Power Per Port		Watts	350 W		
Cross Polar Isolation		dB	28		

Specifications follow BASTA guidelines.

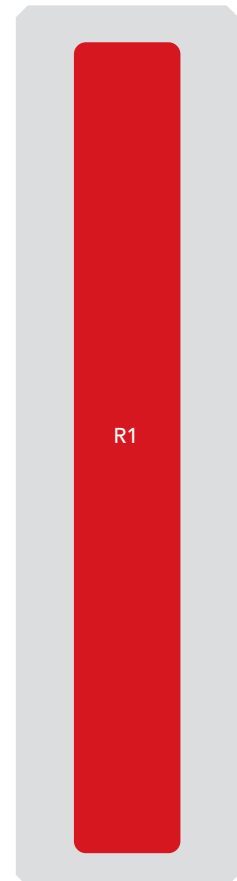
APXVB26B_43-C-I20 APXVB26B_43-A-I20

BOTTOM VIEW - LABELING



ARRAY LAYOUT

ARRAY	FREQUENCY	CONNECTOR	CONNECTOR TYPE	RET	AISG RET UID
■ R1	698-960 MHz	1-2	(2x) 4.3-10 Female	R1	RFxxxxxxxx-R1



The illustration is not shown to scale.

Quoted performance parameters are provided to offer typical, peak or range values only and may vary as a result of normal testing, manufacturing and operational conditions. Extreme operational conditions and/or stress on structural supports is beyond our control. Such conditions may result in damage to this product. Improvements to products may be made without notice.

APXVB26B_43-C-I20

APXVB26B_43-A-I20

MECHANICAL SPECIFICATIONS

Length	mm (in)	2495 (98.2)
Width	mm (in)	320 (12.6)
Depth	mm (in)	140 (5.5)
Net Weight - Antenna Only	kg (lbs)	22 (48.5)
Wind Load Rated at 150 km/h (93 mph)	Front	N (lbf) 538 (121)
	Side	N (lbf) 469 (105)
	Rear	N (lbf) 638 (143)
Survival Wind Speed	km/h (mph)	200 (124)
Connector Type	--	(2x) 4.3-10 Female, (2x) AISG Connectors (1 Male, 1 Female) at Bottom
Radome Color	---	Light Grey RAL7035
Radome Material	---	Fiberglass
Lightning Protection	---	Direct Ground
Shipping	Packing Size (Length x Width x Depth)	mm (in) 2775 x 415 x 235 (109.3 x 16.3 x 9.3)

ENVIRONMENTAL SPECIFICATIONS

Environmental Standard	---	ETS 300 019
Operating Temperature	degrees	-40° to +60° C (-40° to +140° F)
Product Environmental Compliance	---	Product is RoHS Compliant

Quoted performance parameters are provided to offer typical, peak or range values only and may vary as a result of normal testing, manufacturing and operational conditions. Extreme operational conditions and/or stress on structural supports is beyond our control. Such conditions may result in damage to this product. Improvements to products may be made without notice.

APXVB26B_43-C-I20

APXVB26B_43-A-I20

ACCESSORIES Accessories may be ordered separately unless otherwise indicated.

ITEM	MODEL NUMBER	WEIGHT
Beam Tilt Mounting Bracket Kit for Pole Diameter 50-110 mm (2.0-4.3 in) <i>Refer to ordering options</i>	APM50-B1	4.5 kg (9.9 lbs)
Direct Pipe No Tilt Bracket Kit for Pole Diameter 50-110 mm (2.0-4.3 in) <i>Refer to ordering options</i>	APM50-B1N	3.4 kg (7.5 lbs)

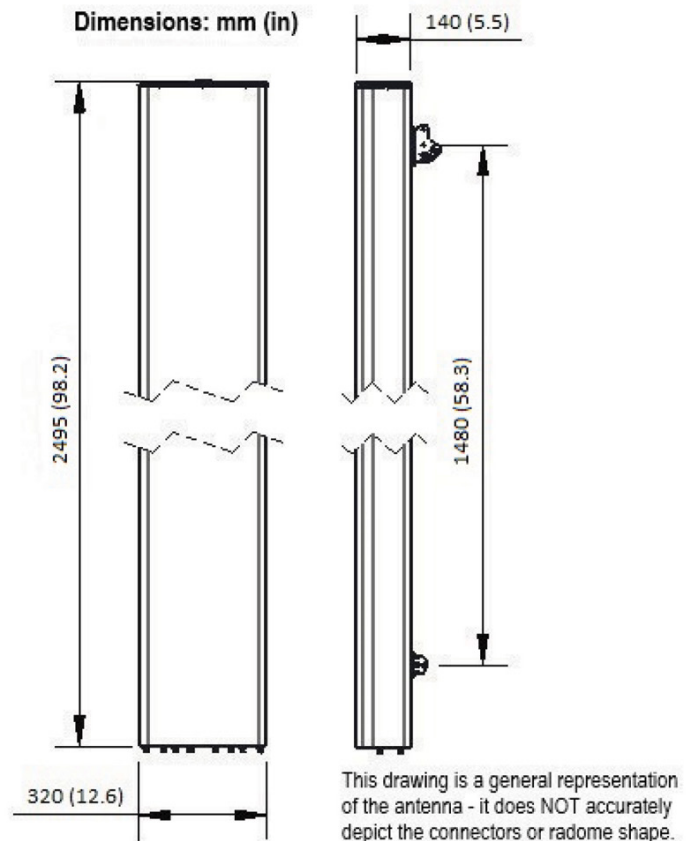
INSTALLATION Please read all installation notes before installing product.



- Always attach the antenna using all mounting points.
- Do not install antenna with the connectors facing upwards.

EXTERNAL DOCUMENT LINKS

[APM50 Mounting Kit Series Installation Instructions](#)



NOTES

Specifications follow BASTA guidelines.

For additional mounting information, please check **External Document Links**.

For Radiating Patterns: [Request pattern files](#)

Quoted performance parameters are provided to offer typical, peak or range values only and may vary as a result of normal testing, manufacturing and operational conditions. Extreme operational conditions and/or stress on structural supports is beyond our control. Such conditions may result in damage to this product. Improvements to products may be made without notice.