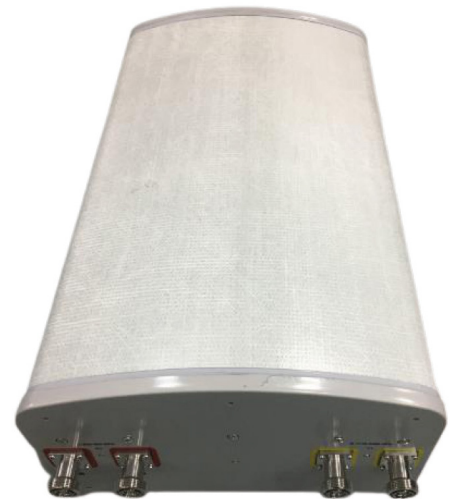


## APXBL06B\_43-CT5 APXBL06B\_43-AT5

### Features

- 2 ports / 1 cross pol system in low band (698-960 MHz)
- 2 ports / 1 cross pol system in high band (1710-2690 MHz)
- Fixed Tilt
- Optional with Direct Pipe No Tilt mounting hardware (Model name suffix -AT5)



PRODUCT OVERVIEW	Frequency Range (MHz)	698-960	1710-2690
	Array	■ R1	■ Y1
	Connector	1-2	3-4
		4 PORTS	
	Polarization	XPOL	
	Azimuth Beamwidth (avg)	65°	65°
	Electrical Downtilt	5°	5°
	Dimensions	620 x 350 x 200 mm (24.4 x 13.8 x 7.9 in)	

### ORDERING OPTIONS

Select from the following ordering options

ANTENNA MODEL NUMBER	CONFIGURATION	MOUNTING HARDWARE	MOUNTING PIPE DIAMETER	SHIPPING WEIGHT	MOUNTING HARDWARE WEIGHT
APXBL06B_43-CT5	Fixed Tilt	APM50-B1 Beam Tilt Kit Included	50-110 mm (2.0-4.3 in)	15.7 kg (34.6 lbs)	4.5 kg (9.9 lbs)
APXBL06B_43-AT5	Fixed Tilt	APM50-B1N Direct Pipe No Tilt Mounting Kit Included	50-110 mm (2.0-4.3 in)	14.6 kg (32.2 lbs)	3.4 kg (7.5 lbs)



Quoted performance parameters are provided to offer typical, peak or range values only and may vary as a result of normal testing, manufacturing and operational conditions. Extreme operational conditions and/or stress on structural supports is beyond our control. Such conditions may result in damage to this product. Improvements to products may be made without notice.

## APXBL06B\_43-CT5 APXBL06B\_43-AT5

### ELECTRICAL SPECIFICATIONS

■ R1

Frequency Range		MHz	698-960		
		MHz	698-806	790-894	880-960
Polarization		---	±45°		
Gain	Over all Tilts	dBi	11.1 ± 1	12 ± 0.1	12 ± 0.1
	Max Gain	dBi	12.1	12.1	12.1
Azimuth Beamwidth (3 dB)		degrees	68.5° ± 1.5°	66.3° ± 1.5°	65.7° ± 1.2°
Elevation Beamwidth (3 dB)		degrees	39.6° ± 2.5°	35.4° ± 1.5°	35.4° ± 0.7°
Electrical Downtilt		degrees	5°		
Impedance		Ohms	50Ω		
VSWR (Return Loss)		---	1.5:1 (-14 dB)		
Passive Intermodulation		dBc	-150 (3rd Order for 2x20 W Carriers)		
Front-to-Back Ratio, Total Power, ± 30°		dB	22.2	23	23
First Upper Side Lobe Suppression		dB	11	12	10.9
Cross-Pol Over Sector		dB	11	10.9	9.7
Cross Polar Discrimination (XPD) at Mechanical Boresight (0°)		dB	22.6	23.4	25.8
Maximum Effective Power Per Port		Watts	350 W		
Cross Polar Isolation		dB	24		
Interband Isolation		dB	24		

### ELECTRICAL SPECIFICATIONS

■ Y1

Frequency Range		MHz	1710-2690				
		MHz	1710-1880	1850-1990	1920-2170	2300-2400	2490-2690
Polarization		---	±45°				
Gain	Over all Tilts	dBi	13.1 ± 1	13.4 ± 0.5	13.3 ± 0.5	13.6 ± 0.5	14.5 ± 0.5
	Max Gain	dBi	14.1	13.9	13.8	14.1	15
Azimuth Beamwidth (3 dB)		degrees	66.8° ± 6.5°	66.4° ± 4.2°	66.6° ± 4°	70.2° ± 2.3°	66.2° ± 6.8°
Elevation Beamwidth (3 dB)		degrees	19.2° ± 1°	17.8° ± 0.6°	16.9° ± 1°	14.6° ± 0.8°	13.5° ± 1.6°
Electrical Downtilt		degrees	5°				
Impedance		Ohms	50Ω				
VSWR (Return Loss)		---	1.5:1 (-14 dB)				
Passive Intermodulation		dBc	-150 (3rd Order for 2x20 W Carriers)				
Front-to-Back Ratio, Total Power, ± 30°		dB	20.9	23.3	21.4	18.5	18
First Upper Side Lobe Suppression		dB	14.6	16.1	14	12.3	10.9
Cross-Pol Over Sector		dB	8	9.6	10	11.5	2
Cross Polar Discrimination (XPD) at Mechanical Boresight (0°)		dB	20.8	21.9	21.7	17.6	17.1
Maximum Effective Power Per Port		Watts	250 W				
Cross Polar Isolation		dB	24				
Interband Isolation		dB	24				

Quoted performance parameters are provided to offer typical, peak or range values only and may vary as a result of normal testing, manufacturing and operational conditions. Extreme operational conditions and/or stress on structural supports is beyond our control. Such conditions may result in damage to this product. Improvements to products may be made without notice.

## APXBL06B\_43-CT5

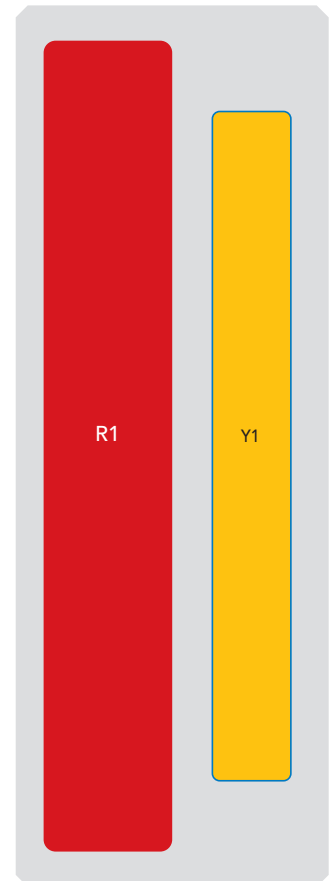
### APXBL06B\_43-AT5

#### BOTTOM VIEW - LABELING



#### ARRAY LAYOUT

ARRAY	FREQUENCY	CONNECTOR	CONNECTOR TYPE
<span style="color: red;">■</span> R1	698-960 MHz	1-2	(2x) 4.3-10 Female
<span style="color: yellow;">■</span> Y1	1710-2690 MHz	3-4	(2x) 4.3-10 Female



The illustration is not shown to scale.

Quoted performance parameters are provided to offer typical, peak or range values only and may vary as a result of normal testing, manufacturing and operational conditions. Extreme operational conditions and/or stress on structural supports is beyond our control. Such conditions may result in damage to this product. Improvements to products may be made without notice.

## APXBL06B\_43-CT5

### APXBL06B\_43-AT5

#### MECHANICAL SPECIFICATIONS

Length		mm (in)	620 (24.4)
Width		mm (in)	350 (13.8)
Depth		mm (in)	200 (7.9)
Net Weight - Antenna Only		kg (lbs)	8 (17.6)
Wind Load Rated at 150 km/h (93 mph)	Front	N (lbf)	254 (57)
	Side	N (lbf)	136 (31)
	Rear	N (lbf)	140 (31)
Survival Wind Speed		km/h (mph)	200 (124)
Connector Type		--	(4x) 4.3-10 Female at Bottom
Radome Color		---	Light Grey
Radome Material		---	Fiberglass
Lightning Protection		---	DC Ground
<b>Shipping</b>	Packing Size (Length x Width x Depth)	mm (in)	895 x 445 x 295 (35.2 x 17.5 x 11.6)

#### ENVIRONMENTAL SPECIFICATIONS

Environmental Standard	---	ETS 300 019
Operating Temperature	degrees	-40° to +60° C (-40° to +140° F)
Product Environmental Compliance	---	Product is RoHS Compliant

## APXBL06B\_43-CT5

## APXBL06B\_43-AT5

### ACCESSORIES

Accessories may be ordered separately unless otherwise indicated.

ITEM	MODEL NUMBER	WEIGHT
Beam Tilt Mounting Bracket Kit for Pole Diameter 50-110 mm (2.0-4.3 in) <i>Refer to ordering options</i>	APM50-B1	4.5 kg (9.9 lbs)
Direct Pipe No Tilt Bracket Kit for Pole Diameter 50-110 mm (2.0-4.3 in) <i>Refer to ordering options</i>	APM50-B1N	3.4 kg (7.5 lbs)

### INSTALLATION

Please read all installation notes before installing product.

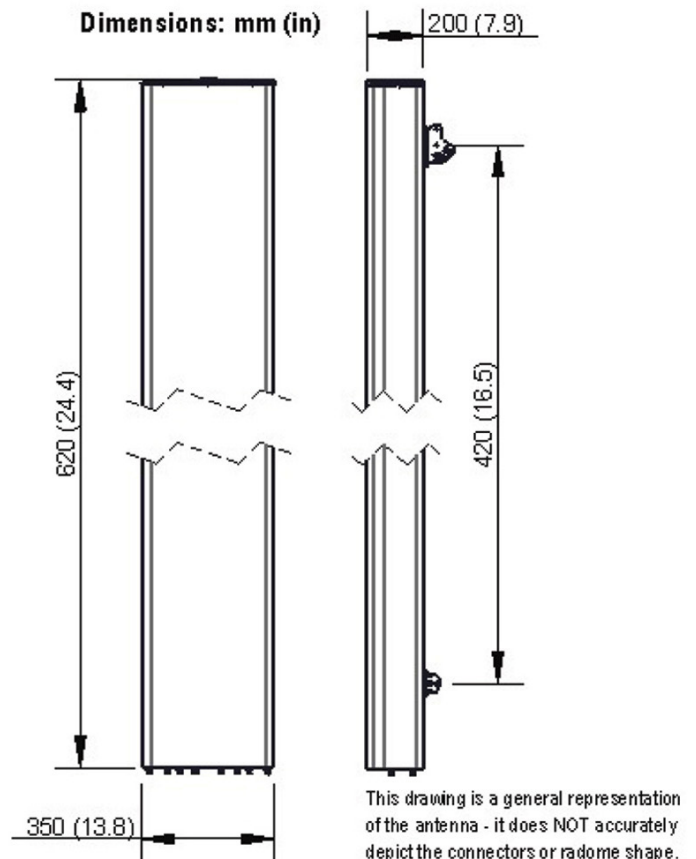


Always attach the antenna using all mounting points.

Do not install antenna with the connectors facing upwards.

### EXTERNAL DOCUMENT LINKS

[APM50 Mounting Kit Series Installation Instructions](#)



### NOTES

Specifications follow BASTA guidelines.

For additional mounting information, please check **External Document Links**.

For Radiating Patterns: [Request pattern files](#)