



Radio Frequency Systems

A photograph of a technician wearing a yellow helmet and dark clothing, working on a complex metal structure of a radio tower. The technician is positioned in the lower right, looking towards the center. The structure consists of numerous metal beams and cables, creating a dense, geometric pattern. The background is slightly blurred, showing some greenery and a clear sky.

APM50-M1 MOUNTING KIT INSTALLATION INSTRUCTIONS

REV. 1.1 | 2021.12



Mounting Instructions for APM50-M1 Kit

SUMMARY

1. Applications.....	3
2. Mechanical Specifications	3
3. Assembly and Installation	3
4. Installation Tools	3
5. Parts	3
6. Installation.....	4
7. Antenna Mechanical Downtilt Range.....	8

Mounting Instructions for APM50-M1 Kit

1. APPLICATIONS

The APM50 kits are mounting hardware options to be used for Base Station antennas.

2. MECHANICAL SPECIFICATIONS

- Pole Diameter: 50-110 mm
- Material: Q235
- Weight: 5.4 kg

3. ASSEMBLY AND INSTALLATION

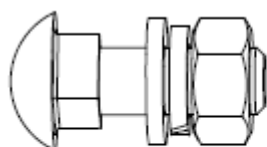
Please read this manual before installation.

1. Only qualified personnel are allowed to install the antenna.
2. The appearances of the antennas shown in the figures is only for reference and may differ from the actual one.
3. Before the installation, check the appearance of the brackets according to this guide. The installation methods vary with the component appearance. The installation procedures described in this guide must be strictly followed.
4. The protection caps of antenna ports not connecting to jumpers must not be removed. Meanwhile, waterproof measures must be taken to protect these antenna ports.

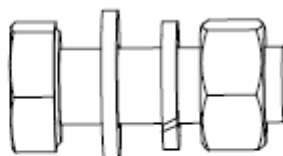
4. INSTALLATION TOOLS



5. PARTS

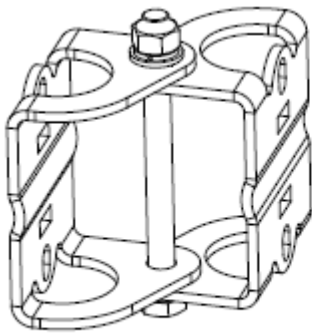


1# 2pcs

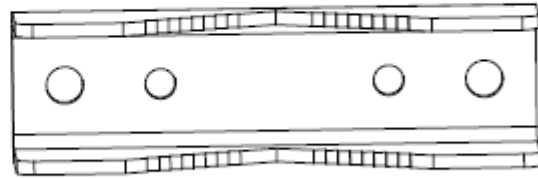


2# 2pcs

Mounting Instructions for APM50-M1 Kit



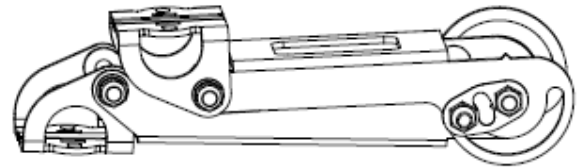
3# 1pcs



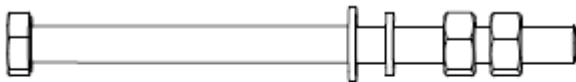
4# 1pcs



5# 2pcs



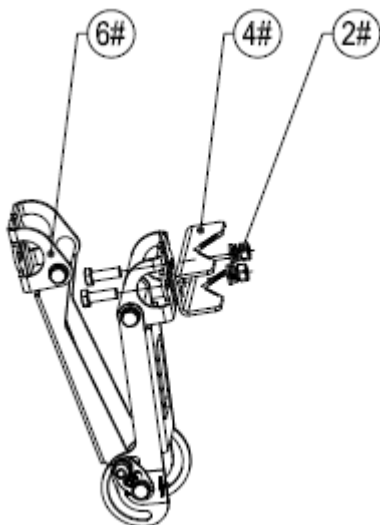
6# 1pcs



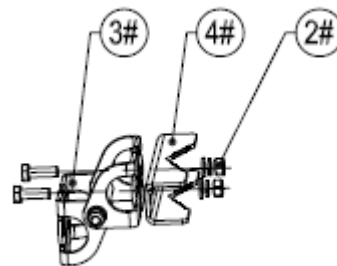
8# 4pcs

6. INSTALLATION

Step 1



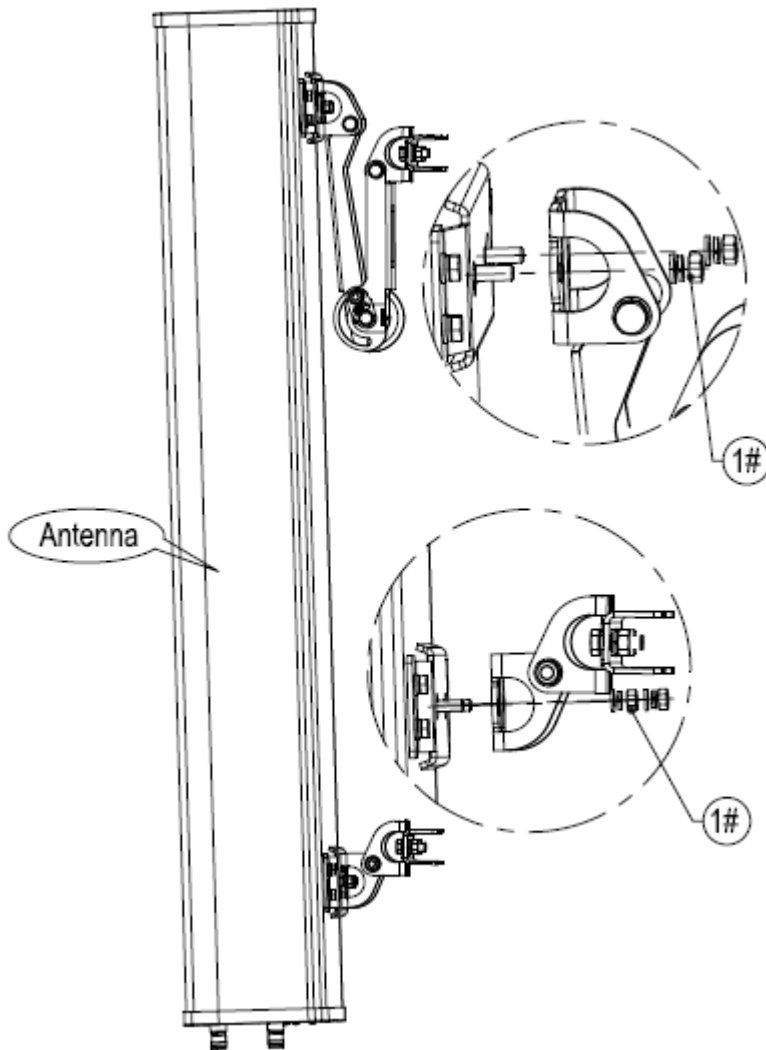
1a



1b

Mounting Instructions for APM50-M1 Kit

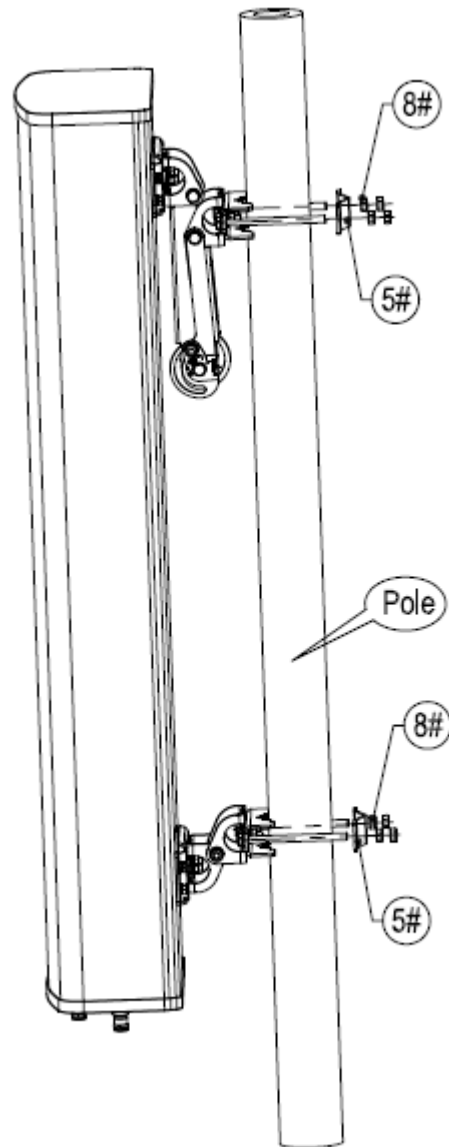
Step 2





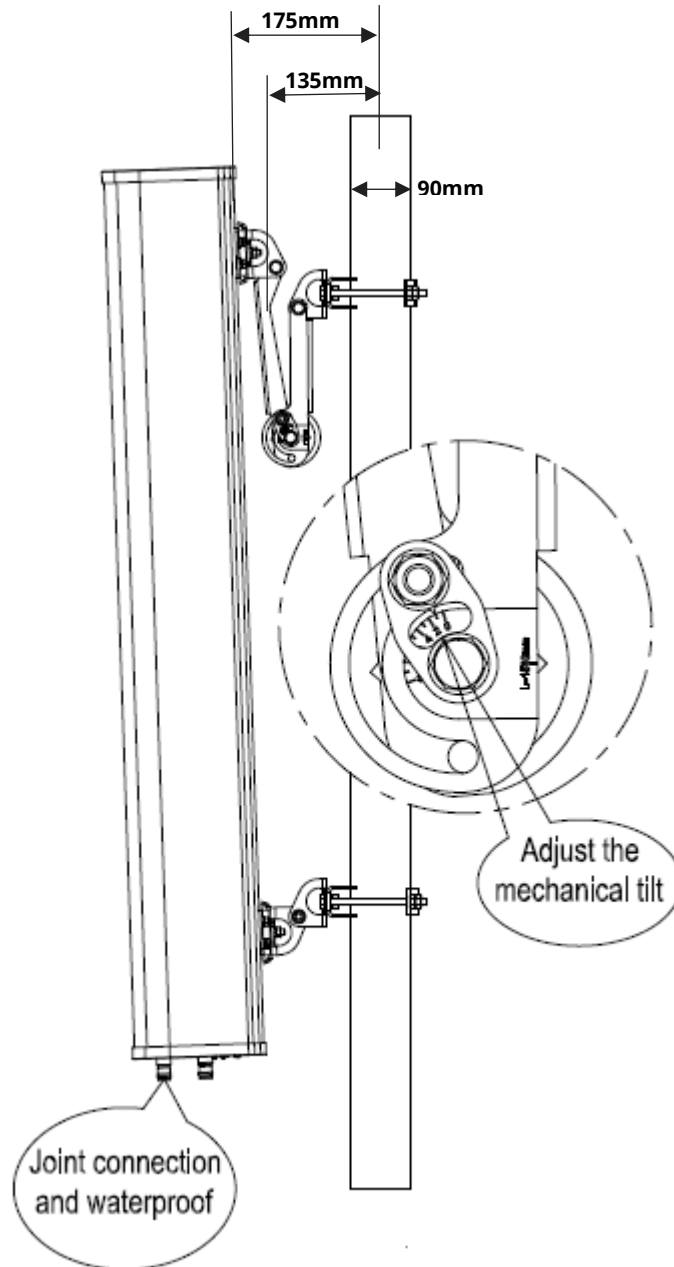
Mounting Instructions for APM50-M1 Kit

Step 3



Mounting Instructions for APM50-M1 Kit

Step 4





Mounting Instructions for APM50-M1 Kit

7. ANTENNA MECHANICAL DOWNTILT RANGE

Antenna Length (mm)	Mechanical Downtilt Range (°)
2900	0-8
2520	0-9
2100	0-10
1450	0-12
1365	0-14
1250	0-15
1088	0-16
920	0-20
558	0-30

About RFS

Radio Frequency Systems (RFS) delivers the end-to-end RF solutions and expert services needed to evolve wireless and broadcast networks today and tomorrow. Our cables, connectors, antenna systems and RF conditioning products are based on more than 120 years of experience delivering cutting-edge RF solutions and industry firsts. As a result, our solutions are recognized globally for their innovation, superior performance and unmatched quality.

As an ISO-compliant company with global operations, we bring our customers world-class engineering and manufacturing skills backed with comprehensive local support services. Our customers know they can rely on our expertise and commitment to excellence from initial design to final delivery and beyond — whether they're looking to support 5G, deploy small cells, empower smart cities or improve indoor coverage in the most challenging locations.

Australia

Kilsyth
+61 3 9751 8400
Technical Support
Technical.Support@rfsworld.com

Latin America

Sao Paulo
Technical Support
MTS.Latam@rfsworld.com

China

Shanghai
+86 21 3773 8888
Technical Support
Technical.Support@rfsworld.com

France, Italy, Spain

Paris, Vimercate, Madrid
Technical Support
Product.Support@rfsworld.com

Germany

Hannover
+49 511 676 55 - 0
Technical Support
Product.Support@rfsworld.com

India

Gurgaon
+91-124-4092788
Technical Support
Technical.Support@rfsworld.com

North America

Meriden, CT
+1.800.321.4700
Technical Support
ApplicationsEngineering@
rfsworld.com

Mexico

Tlalnepantla de Baz
+52 55 2881-1100
Technical Support
MTS.Latam@rfsworld.com

Russia

Moscow
+7 495 258 0649
Technical Support
Product.Support@rfsworld.com

South Africa

Centurion
+27 83 647 6187
Technical Support
Product.Support@rfsworld.com

UAE

Dubai
+971 4 568 7979
Technical Support
Product.Support@rfsworld.com

United Kingdom

Haddenham
+44 1844 294900
Technical Support
Product.Support@rfsworld.com