

# Amphenol Antenna Solutions



**APM50-H0 MOUNTING KIT  
INSTALLATION INSTRUCTIONS**

REV. 1.0 | 2024.03

## Mounting Instructions for APM50-H0 Kit

---

### SUMMARY

1. Applications.....	3
2. Mechanical Specifications .....	3
3. Assembly and Installation .....	3
4. Installation Tools .....	3
5. Brackets & Downtilt kit .....	3
6. preparation before installation .....	4
7. install the antenna .....	4

# Mounting Instructions for APM50-H0 Kit

## 1. APPLICATIONS

The APM50 kits are mounting hardware options to be used for Base Station antennas.

## 2. MECHANICAL SPECIFICATIONS

- Pole Diameter: 50-125 mm
- Material: Q235, Hot-Dip Galvanized
- Weight: 1.5 kg

## 3. ASSEMBLY AND INSTALLATION

Please read this manual before installation.

1. Only qualified personnel are allowed to install the antenna.
2. Before the installation, check whether the support is complete before installation. The downdip assembly is pre-tightened on the antenna.
3. The appearance of the antennas shown in the figures is only for reference and may differ from the actual one.
4. Before the installation, check the appearance of the support according to this guide. The installation methods vary depending on the component appearance. The installation procedures described in this guide must be strictly followed.
5. The protection caps of antenna ports not connecting to jumpers must not be removed. Meanwhile, waterproof measures must be taken to protect these antenna ports.

## 4. INSTALLATION TOOLS


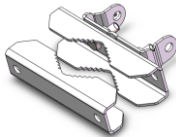
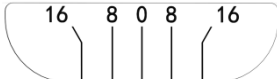



### MAXIMUM TORQUE

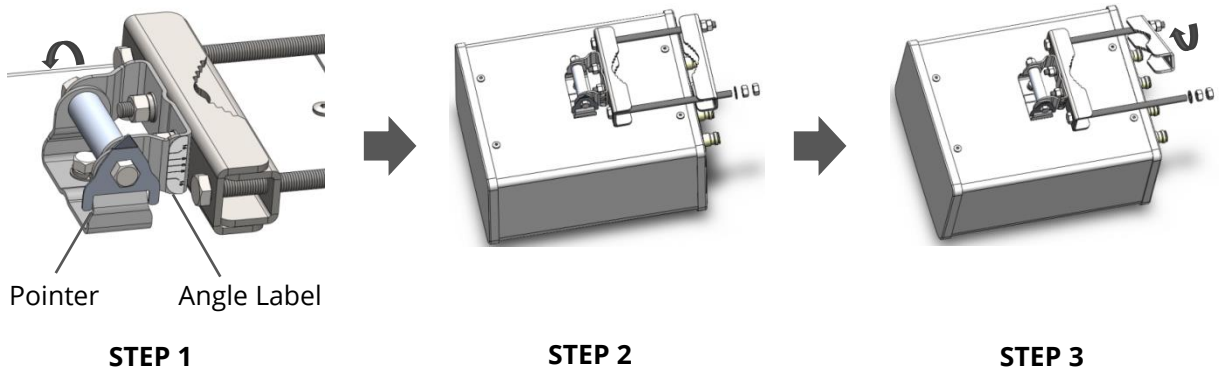
<b>M8</b>	20 Nm
<b>M10</b>	40 Nm

## 5. BRACKETS & DOWNTILT KIT

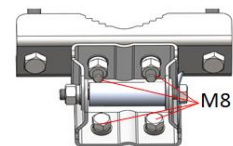
## Mounting Instructions for APM50-H0 Kit

<b>Clamps</b>	 M10 (4pcs)	 Clamps (1pcs)
<b>Downtilt Kit</b>	 Angle Label (1pcs)	 Pointer (1pcs)

### 6. PREPARATION BEFORE INSTALLATION



1. Make sure the metal can rotate around the bolt. Ensure that the pointer and label are on the same side. If they are not, adjust them to the same side.
2. Loosen the M10 bolt and adjust it as shown on the far right.
3. Make sure the metal can rotate around the bolt.

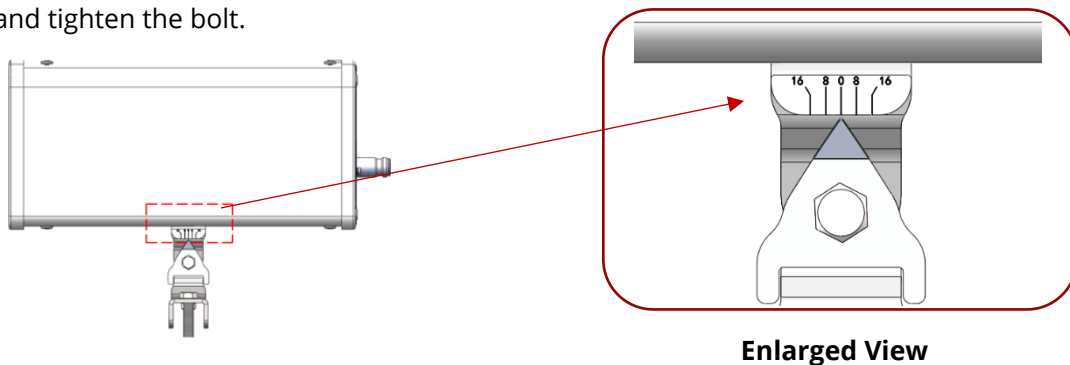


**Attention:**

Do not loosen the bolt on the diagram at will. If you loosen it accidentally, tighten the bolt.

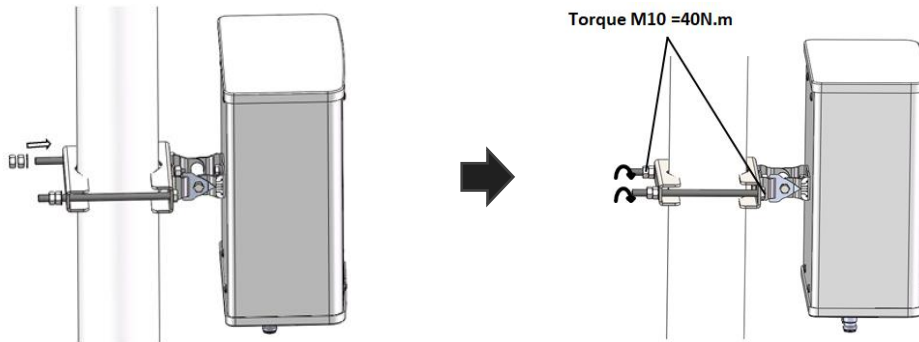
### 7. INSTALL THE ANTENNA

1. Adjust the pointer to 0°. Before hanging the antenna, point the antenna pointer at 0° on the angle label and tighten the bolt.



## Mounting Instructions for APM50-H0 Kit

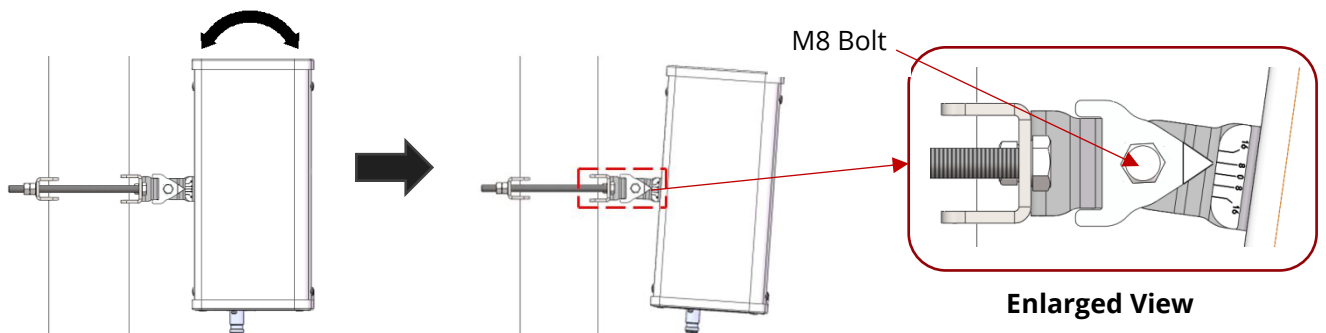
2. Install the antenna on the pole and tighten the M10 bolt.



3. Adjust the mechanical downtilt

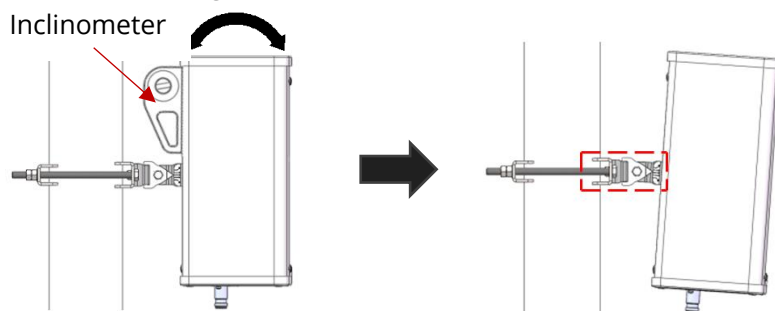
- a. Method A : Use the angle label to adjust the angle . (Below take 8° as example)

- i. Loosen the M8 bolt at the pointer gently, and then swing the antenna so that the antenna pointer points to the 8° position on the label. (As shown on the right)
- ii. Hold the antenna at 8° and tighten the M8 bolts.



- b. Method B : Using an inclinometer. (Below take 8° as example)

- i. Set the inclinometer to 8°, loosen the M8 bolt at the pointer, and gently swing the antenna (same as A). When the inclinometer is tilted to 8°, hold the antenna still and tighten the M8 bolts.



## Mounting Instructions for APM50-H0 Kit

---

---

### **NAR**

Conover & Meriden  
+1 (779) 970-1605  
Technical Support  
[support@amphenol-antennas.com](mailto:support@amphenol-antennas.com)

### **APAC**

Shanghai  
+86 (21) 3773 8888  
Technical Support  
[apac.bsa.support@amphenol-antennas.com](mailto:apac.bsa.support@amphenol-antennas.com)

### **EMEA & LATAM**

Amboise & Lannion  
Technical Support  
[techsupport@amphenol-antennas.com](mailto:techsupport@amphenol-antennas.com)