

Amphenol Antenna Solutions



**APM50-BV MOUNTING KIT
INSTALLATION INSTRUCTIONS**

REV. 4.0 | 2024.05

Mounting Instructions for APM50-BV Kit

SUMMARY

1. Applications.....	3
2. Mechanical Specifications	3
3. Assembly and Installation	3
Installation Preparation.....	3
Installation Tools	3
Installation Instructions.....	4
4. Antenna Mechanical Downtilt Range.....	5
5. Material list.....	6

Mounting Instructions for APM50-BV Kit

1. APPLICATIONS

The APM50 kits are mounting hardware options to be used for Base Station antennas.

2. MECHANICAL SPECIFICATIONS

- Pole Diameter: 50-110 mm
- Weight: 4.5 kg

3. ASSEMBLY AND INSTALLATION

Installation Preparation

1. Check each package against packing list.
2. Observe safe working at heights.
3. Ensure lightning protection is applied.
4. Annual maintenance is recommended to antenna system.

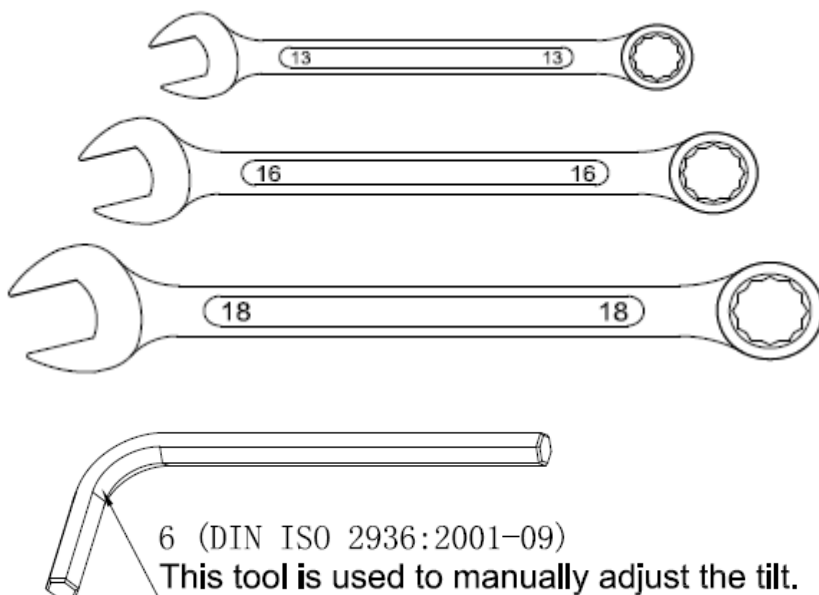
Installation Tools

TIGHTENING NUT TORQUE VALUES

Nut	Wrench	Torque
M8	13(14)mm	18-22Nm
M10	16(17)mm	32-40Nm
M12	18(19)mm	57-75Nm

TIGHTENING CONNECTOR TORQUE VALUES

Connector	Wrench
4.3-10	5-8Nm
7-16	18-22Nm

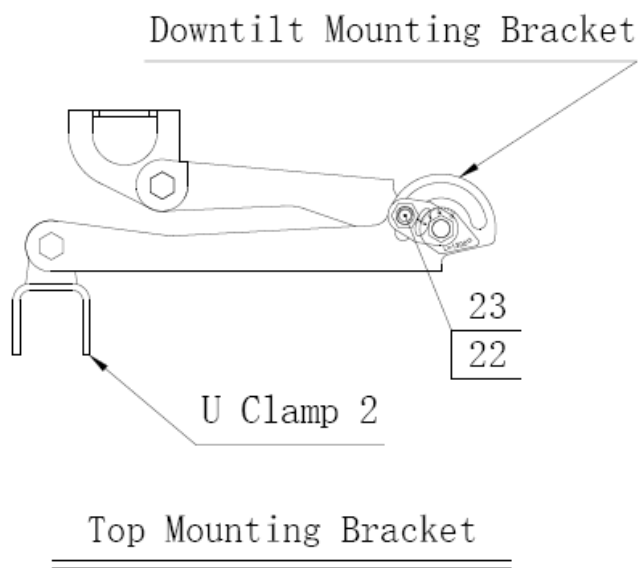


Mounting Instructions for APM50-BV Kit

Installation Instructions

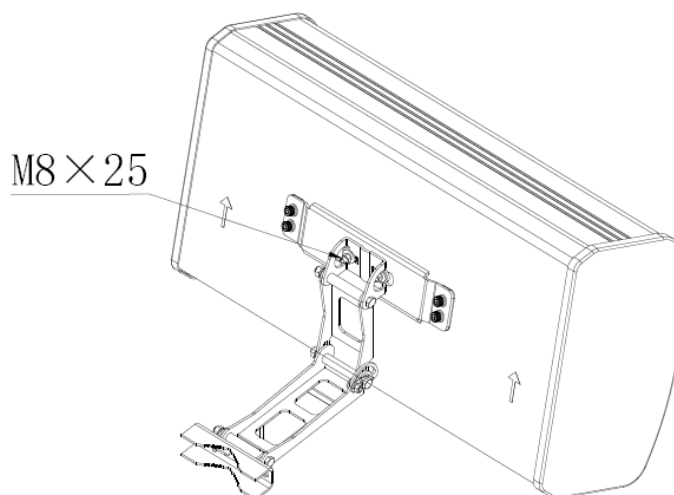
Step 1

Pre-assemble the top and bottom mounting brackets. Tighten the U Clamp with M8 bolts (torque 18Nm).



Step 2

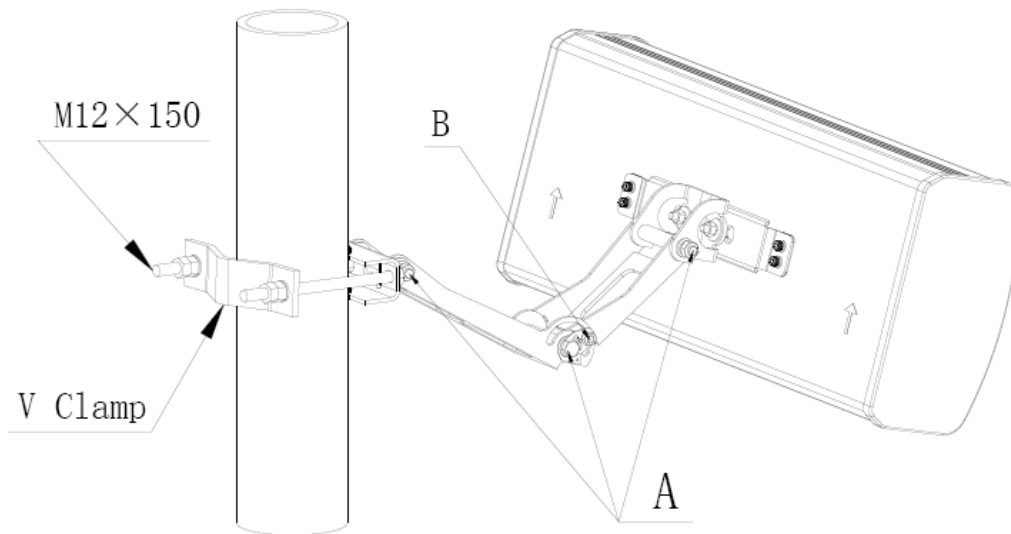
Assemble mounting brackets to the antenna with four M8 bolts (torque 18Nm).



Mounting Instructions for APM50-BV Kit

Step 3

1. Fasten antenna to pole vertically with M12x150 bolts (torque 57Nm).
2. Loose nut A and adjust mounting bracket to achieve required downtilt angle.
3. Tighten nut A and B to fix antenna downtilt angle (torque 32Nm).



4. ANTENNA MECHANICAL DOWNTILT RANGE

Antenna Length (mm)	Mechanical Downtilt Range (°)
2900	0-7
2520	0-8
2100	0-9
1450	0-12
1365	0-13
1250	0-14
1088	0-16
920	0-20
558	0-30

Mounting Instructions for APM50-BV Kit

5. MATERIAL LIST

ITEM#	DESCRIPTION	STANDARD	QTY	MATERIAL
1	Upper Mounting Bracket		1	Q235A t=4
2	Hex Bolt (M10×110)	GB5783-86	4	35 (Hot Galvanizing)
3	Plain Washer (M10)	GB97.1-85	6	304
4	Spring Washer (M10)	GB93-87	6	304
5	Nut (M10)	GB6170-86	6	35 (Hot Galvanizing)
6	Aluminum Tube		4	L2
7	Tilt		1	304(t=1)
8	Square Neck Bolt (M8)	GB/T12	4	304
9	Spring Washer (M8)	GB93-87	5	304
10	Tilt Washer		1	5052(t=1.5)
11	Lower Mounting Bracket		1	Q235A t=4
12	U Clamp 2		1	Q235A t=4
13	Clamp		2	Q235A t=5
14	Hex Bolt (M12×150)	GB5783-86	4	35 (Hot Galvanizing)
15	Plain Washer (M12)	GB97.1-85	4	304
16	Nut (M12)	GB6170-86	8	35 (Hot Galvanizing)
17	U Clamp 1		1	Q235A t=4
18	Mounting Bracket		3	Q235A t=4
19	Hex Bolt (M10×25)	GB5783-86	2	35 (Hot Galvanizing)
20	Plain Washer (M8)	GB97.1-85	4	304
21	Nut (M8)	GB6170-86	4	304
22	Square Neck Bolt (M8)	GB/T12	1	35 (Hot Galvanizing)
23	Nut (M8)	GB6170-86	1	35 (Hot Galvanizing)

Mounting Instructions for APM50-BV Kit

NAR

Conover & Meriden
+1 (779) 970-1605
Technical Support
support@amphenol-antennas.com

APAC

Shanghai
+86 (21) 3773 8888
Technical Support
apac.bsa.support@amphenol-antennas.com

EMEA & LATAM

Amboise & Lannion
Technical Support
techsupport@amphenol-antennas.com