

# Amphenol Antennas



**APM40-E10/E10T MOUNTING KIT  
INSTALLATION INSTRUCTIONS**

REV. 6 | 2024.09

# Mounting Instructions for APM40-E10/E10T Kit

## SUMMARY

Applications.....	3
Tools Required For Installation.....	3
Tightening Torque Values.....	3

# Mounting Instructions for APM40-E10/E10T Kit

## APPLICATIONS

The APM40-E10 kits are to be used for top and bottom mounting interface as figure 1 & 2.  
 The APM40-E10T kits are to be used for top and bottom mounting interface as figure 3.

### E10 KITS PACKAGING LIST

Item	Description	Qty
1	Mount interface top	1
2	Mount interface bottom	1
3	Carriage Bolt M8x20, washer, Nut	8
4	Installation instruction	1

### E10T KITS PACKAGING LIST

Item	Description	Qty
1	Mount interface top	4
2	Carriage Bolt M8x20, washer, Nut	8
3	Installation instruction	1

## TOOLS REQUIRED FOR INSTALLATION

- 13mm AF Spanner or Socket (3/8" drive recommended)
- Torque wrench

## TIGHTENING TORQUE VALUES

Unless stated otherwise, the following general tightening torque values shall be used for metric hexagon bolts and screws, coarse pitch threads.

Diameter	Pitch (mm)	Bolt Tension (KN)	Torque (Nm)
M8	1.25	9.5	16

**E10** Figure 1: Top mounting interface bracket

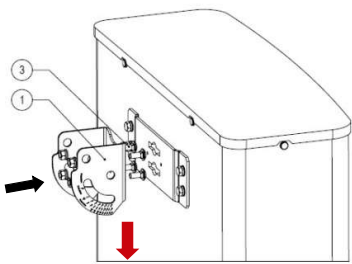
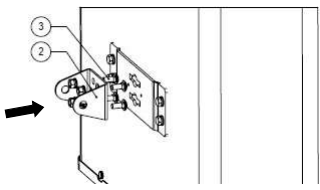
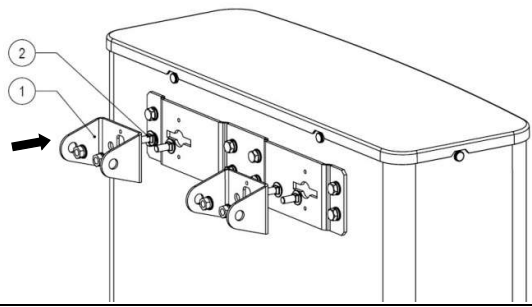


Figure 2: Bottom mounting interface bracket



1. Attach interface bracket to antenna with M8 hardware where required.
2. **The arc is downward!!!**

**E10T** Figure 3: Top & Bottom mounting interface bracket



3. Attach interface bracket to antenna with M8 hardware where required.
4. The installation of Top and Bottom interface are same.

## Mounting Instructions for APM40-E10/E10T Kit

---

**NAR**

Conover &amp; Meriden

+1 (779) 970-1605

*Technical Support*[support@amphenol-antennas.com](mailto:support@amphenol-antennas.com)**APAC**

Shanghai

+86 21 3773 8888

*Technical Support*[APAC.BSA.Support@amphenol-antennas.com](mailto:APAC.BSA.Support@amphenol-antennas.com)**EMEA & LATAM**

Amboise &amp; Lannion

*Technical Support*[techsupport@amphenol-antennas.com](mailto:techsupport@amphenol-antennas.com)