



# Amphenol Antennas



## APM40-5E LIGHT MOUNTING KIT INSTALLATION INSTRUCTIONS

REV. 5 | 2024.09

# Mounting Instructions for APM40-5E Kit

## SUMMARY

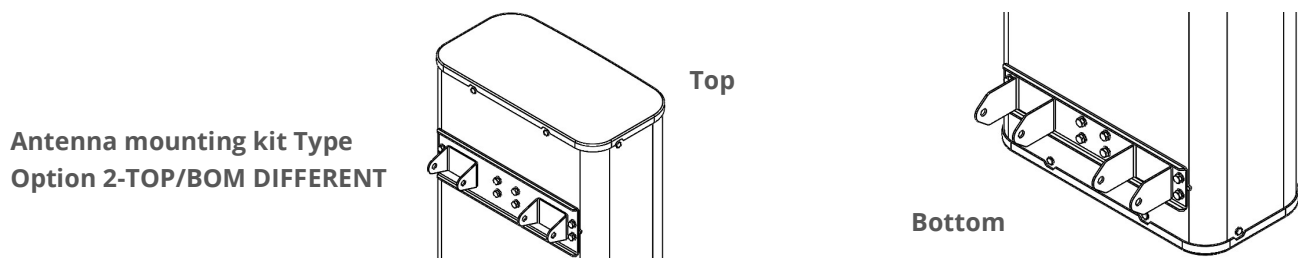
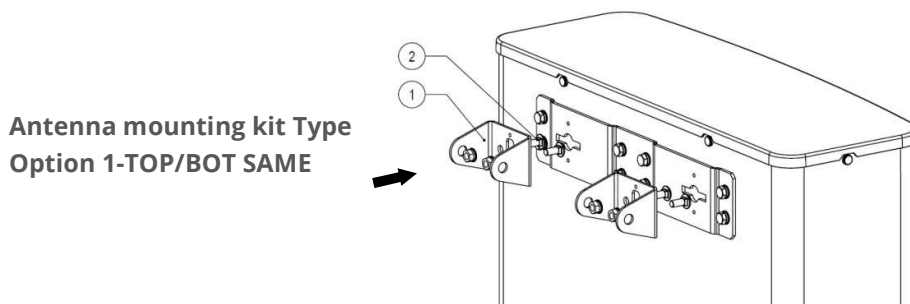
- 1. Application .....3
- 2. Features .....3
- 3. Mechanical Specifications .....3
- 4. Tools required for installation .....4
- 5. Item numbers for the Mount Kit Hardware.....4
- 6. Assembly of components to antenna .....5
- 7. Adjusting the tilt with short beam assembly .....8
- 8. Tightening torque values .....9
- 9. Bracket Separation.....9
- 10. Maintenance .....9

## Mounting Instructions for APM40-5E Kit

### 1. APPLICATION

The APM40-5E Light Mounting Kit is a mounting hardware which uses mounting interface brackets as shown below. If the E10T bracket was shipped in a separate box with the antenna, please attach it first.

1. Attach interface bracket to antenna with M8 hardware where required.
2. The installation of Top and Bottom interface are same.



### 2. FEATURES

- Beam sliding tilt mount for mechanical tilt
- Pipe diameter: 60-120mm
- Mechanical downtilt: 0~9° for 2.0m~2.6m antennas. Support dimension S approximately 2m (Between Mounting Points – Antenna, See Page 8 show)  
For other size, Subject to the actual assembly.

### 3. MECHANICAL SPECIFICATIONS

<b>Weight of Kit (kg)</b>	7.5
<b>Mounting Kit Material</b>	Carbon Steel Sheet
<b>Packaging Dimensions, H x W x D (mm)</b>	490 x 260 x 90
<b>Packaging Material</b>	Plastic Sleeve

Please contact technical support for more information.

## Mounting Instructions for APM40-5E Kit

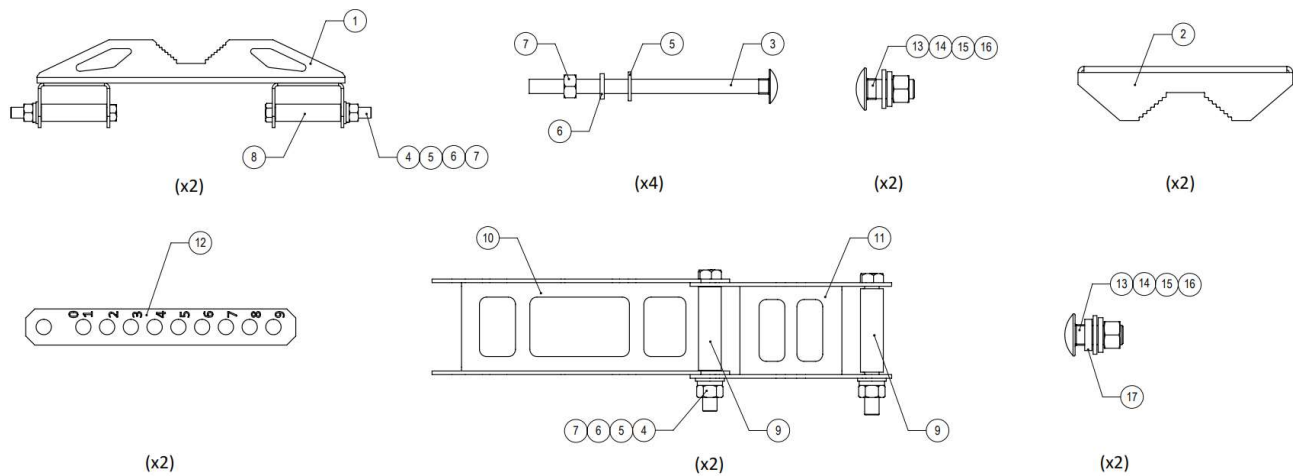
### 4. TOOLS REQUIRED FOR INSTALLATION

- 13mm, 18mm and 19mm (3/4") AF Spanner or Socket (3/8" drive recommended)
- Torque wrench

### 5. ITEM NUMBERS FOR THE MOUNT KIT HARDWARE

ITEM#	DESCRIPTION	QUANTITY
1	Clamp front ,light version	2
2	Clamp rear ,light version	2
3	M12-200,Galvanized,ISO8677 class8.8	4
4	Screw H M12x110 CS 35K 8.8 GVRO ISO4017	8
5	Washer FL 13x24x2.5 CS 200HV GVRO GB97	12
6	Washer SP 12x3.5 65Mn 200HV GVRO GB7244	12
7	Nut H M12x19x10 CS 35K 8 GVRO DIN934	12
8	Tube, Al, 19*3, Long ,light version	4
9	Tube, Al, 19*3, Short ,light version	4
10	Downtilt scissor ,light version	2
11	Clamp front ,light version	2
12	Downtilt indicator ,light version	2
13	Screw Carriage M8 x 20, CS GVRO	4
14	SPRING LOCK WASHER A8 DIN127 A2	4
15	FLAT WASHER DIN125 8.4 A2	4
16	M8X1,25 HEX NUT STL GALV	4
17	Stub Spacer 3mm	2

## Mounting Instructions for APM40-5E Kit



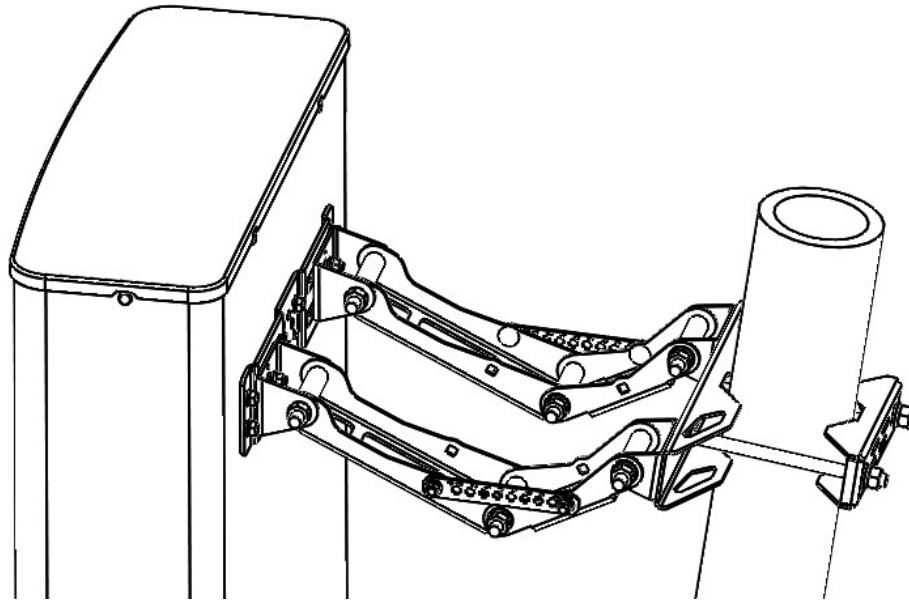
### 6. ASSEMBLY OF COMPONENTS TO ANTENNA

Due to the heavy weight of the antenna and in order to have better, safer and easier assembly, the operator can preassemble all the parts together on the ground according to the detailed view below. During the preassembly, all the fixations shall be assembled but not fully tightened, extreme caution to be used that all nuts bolt and washers are fitted according to the assembly diagram before lifting can take place. Then use lifter to lift the antenna to the correct pole side, this will enable ease of installation.

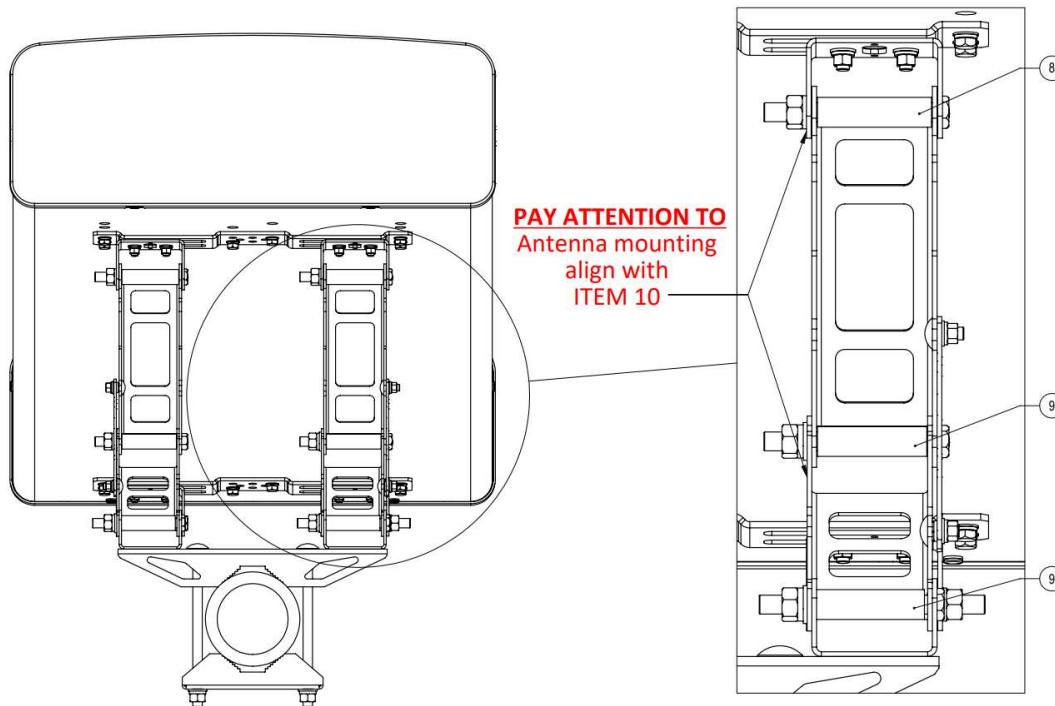
For the lifting point's selection, item 1 on the top and bottom is the right part to use. The operator can put the lifting tool on these two parts to lift the antenna.

After attached the antenna with the pole, all the fixation should be locked tightly according to the required torque specification [refer torque table].

## Mounting Instructions for APM40-5E Kit

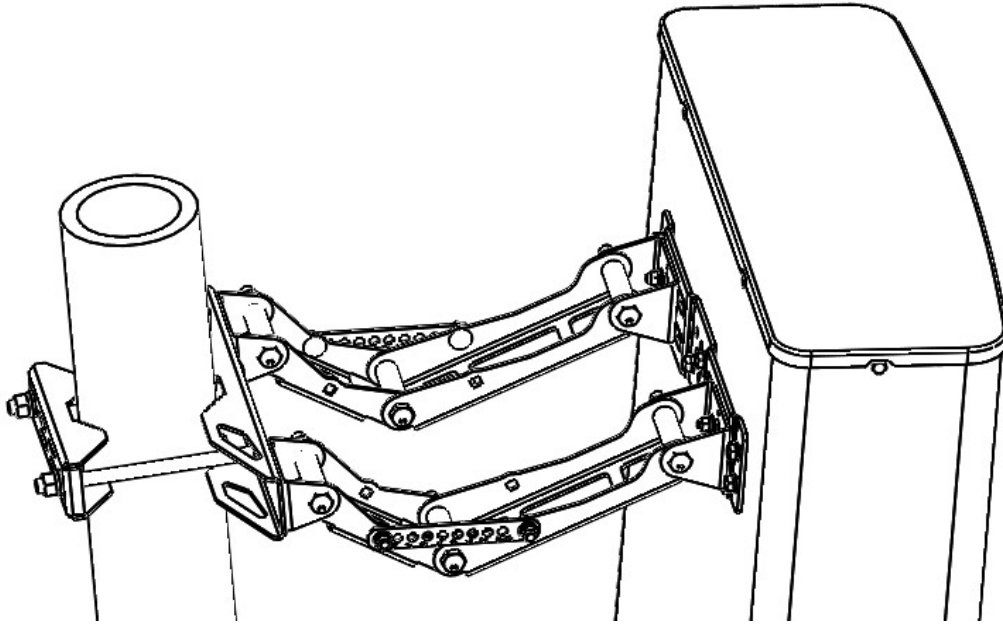


Detailed left view for top mounting kits

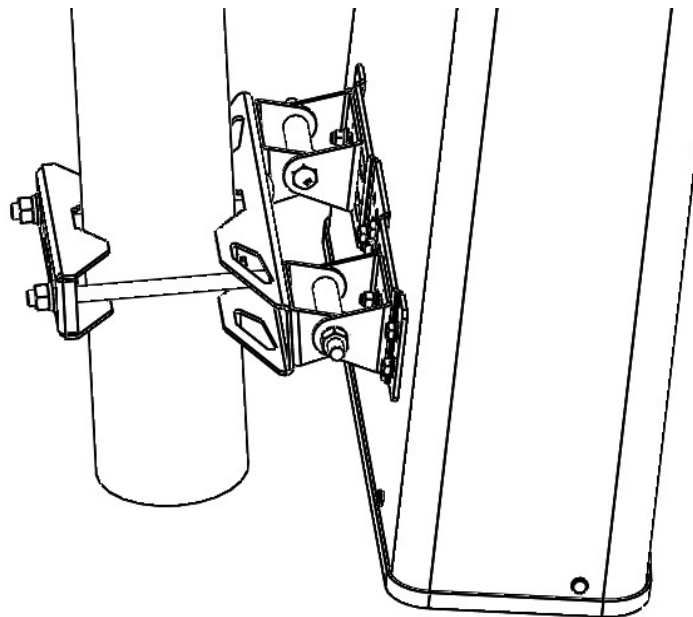


Detailed middle view for top mounting kits

## Mounting Instructions for APM40-5E Kit



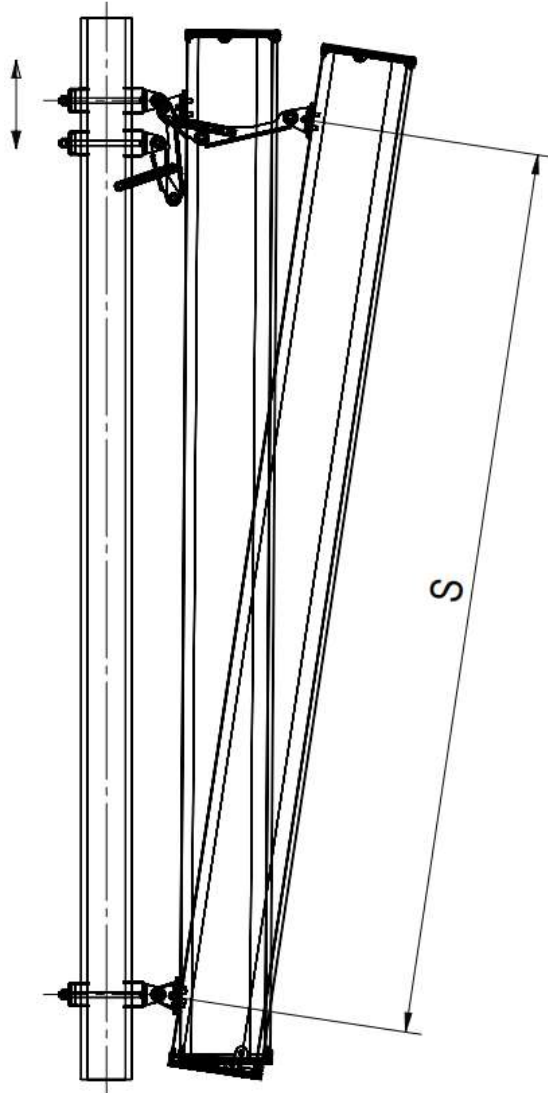
Detailed right view for top mounting kits



Detailed view for bottom mounting kits

## Mounting Instructions for APM40-5E Kit

### 7. ADJUSTING THE TILT WITH SHORT BEAM ASSEMBLY



To adjust tilt, loosen pipe clamp bolts, bolts through tilt beams and bolt at antenna bracket base (as shown by arrows). Slide arms up or down pipe to achieve tilt. Align mark with indicator angle. Tighten nuts to lock in position.



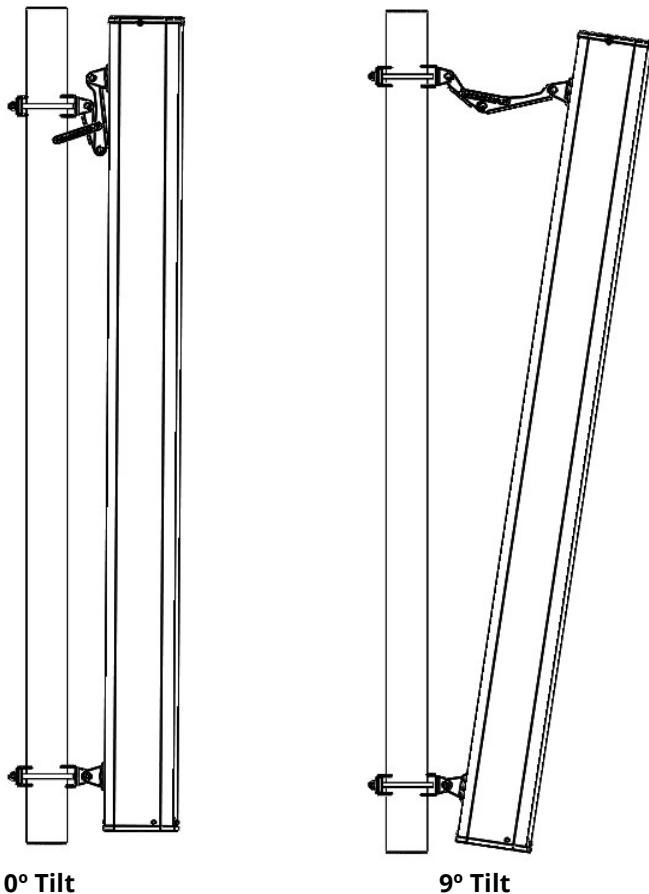
## Mounting Instructions for APM40-5E Kit

### 8. TIGHTENING TORQUE VALUES

Unless otherwise stated, the following general tightening torque values shall be used for metric hexagon bolts and screws, coarse pitch threads, property class 8.8.

Diameter	Pitch (mm)	Bolt Tension (kN)	Torque (Nm)
M12	1.75	23.8	60
M8	1.25	9.5	16

### 9. BRACKET SEPARATION



### 10. MAINTENANCE

Under normal conditions, no maintenance is necessary. However, the antenna should be visually inspected at regular intervals for damage (e.g.: due to lightning strikes, falling ice, etc.). Periodic checks should be performed to verify correct torque and bracket clearance settings

## Mounting Instructions for APM40-5E Kit

---

**NAR**

Conover &amp; Meriden

+1 (779) 970-1605

*Technical Support*[support@amphenol-antennas.com](mailto:support@amphenol-antennas.com)**APAC**

Shanghai

+86 21 3773 8888

*Technical Support*[APAC.BSA.Support@amphenol-antennas.com](mailto:APAC.BSA.Support@amphenol-antennas.com)**EMEA & LATAM**

Amboise &amp; Lannion

*Technical Support*[techsupport@amphenol-antennas.com](mailto:techsupport@amphenol-antennas.com)