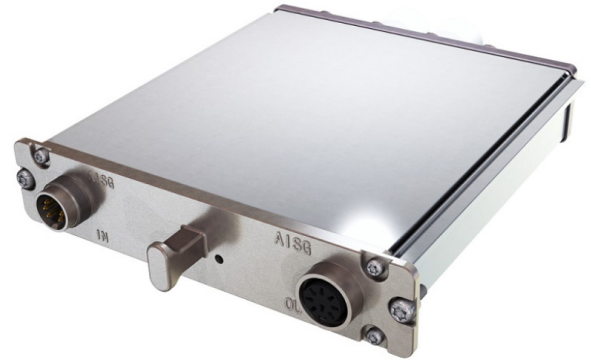


ACU-I20-H12J

Features

- Field replaceable
- Compliant with AISG v2.0 and 3GPP
- 2x8 Pin Connector



ELECTRICAL SPECIFICATIONS

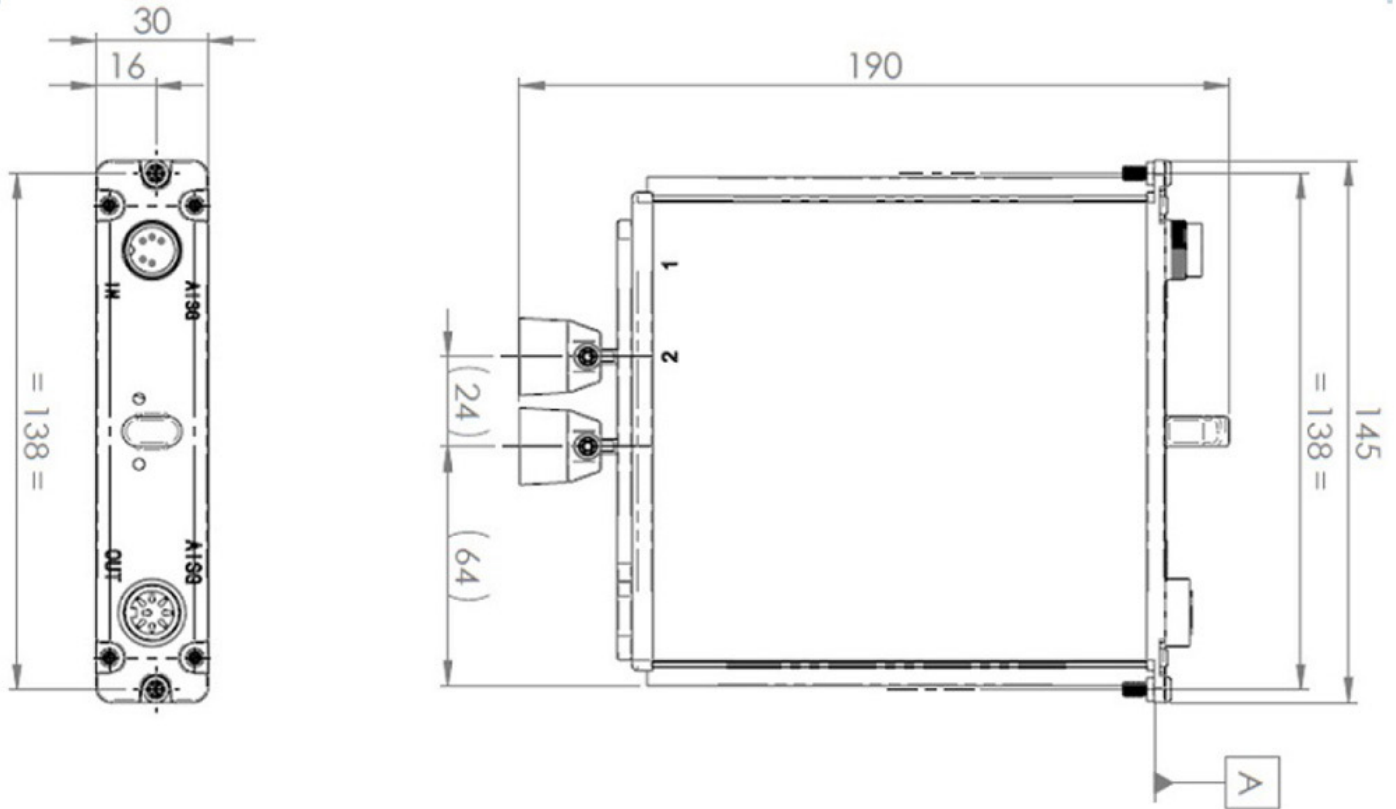
| | | |
|------------------------------|-------|---|
| Protocol | --- | Compliant with AISGv2.0 and 3GPP |
| Power Supply | V | 10 ~ 30 VDC Compliant with AISGv2.0 and 3GPP TS 25.461 V6.0.0 |
| Power Consumption | Watts | < 2 W (Standby), < 10 W (Motor Active) |
| Connector | --- | 2x8 Pin Connector According to IEC60130-9 and AISG 1x Daisy Chain In : Male; 1x Daisy Chain Out : Female Pin3:RS485B; Pin5:RS485A; Pin6:10~30V; Pin7: DC Return Female Connector: 8 PINs, Male connector: 4 PINs |
| Hardware Interface | --- | RS485 and Power |
| Adjustment Time (Full Range) | Sec | ≤ 90 s (Typical, Depending on Antenna Type) |
| Lightning Protection Rating | --- | IEC 61000-4-5 Current Pulse Profile, Line to Ground 8/20 us @ 6kA ≥ ±5 Repetitions Line to Line 8/20 us @ 3kA ≥ ±5 Repetitions |

MECHANICAL SPECIFICATIONS

| | | |
|-----------------------------|---------|-----------------------------------|
| Operating Temperature Range | degrees | -40° to +70° C (-40° to + 158° F) |
| Protection Class | --- | IP65 |
| Housing Material | --- | Aluminum |
| Weight | g (oz) | 750 (26.5) |
| Dimensions | mm (in) | 190 x 145 x 30 (7.5 x 5.7 x 1.2) |

Quoted performance parameters are provided to offer typical, peak or range values only and may vary as a result of normal testing, manufacturing and operational conditions. Extreme operational conditions and/or stress on structural supports is beyond our control. Such conditions may result in damage to this product. Improvements to products may be made without notice.

ACU-I20-H12J



NOTES

This data is provisional and subject to changes.