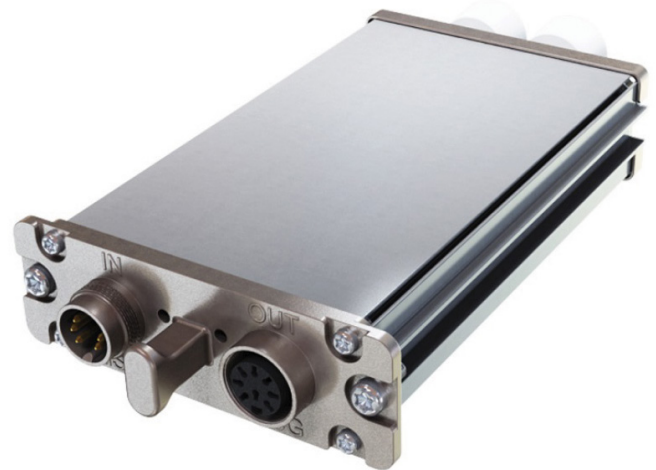


## ACU-I20-H12I

### Features

- Field replaceable
- Compliant with AISG v2.0 and 3GPP
- 2x8 Pin Connector



### ELECTRICAL SPECIFICATIONS

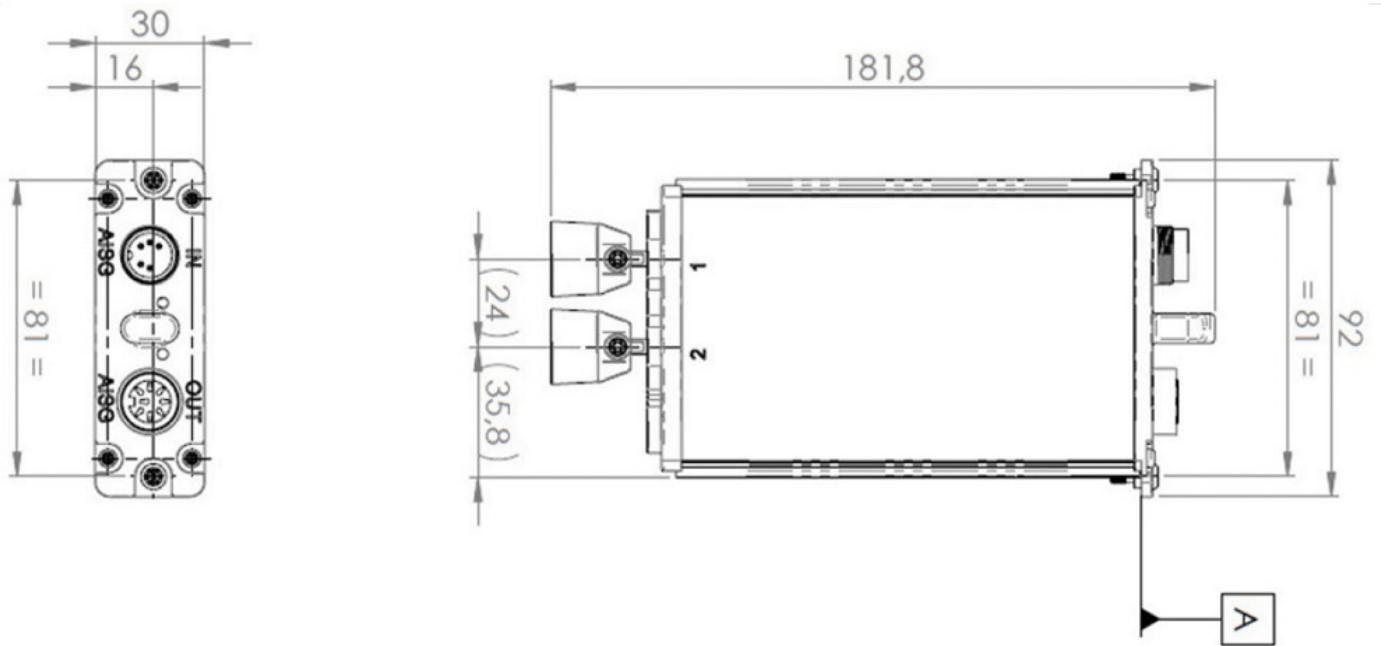
Protocol	---	Compliant with AISG v2.0 and 3GPP
Power Supply	V	10 ~ 30 VDC Compliant with AISG v2.0 and 3GPP TS 25.461 v6.0.0
Power Consumption	Watts	< 2 W (Standby), < 10 W (Motor Active)
Connector	---	2x8 Pin Connector According to IEC60130-9 and AISG 1x Daisy Chain IN: Male; 1x Daisy Chain OUT: Female Pin 3: RS485B; Pin 5: RS485A; Pin 6: 10~30V; Pin 7: DC Return Female Connector: 8 PINs, Male Connector: 4 PINs
Hardware Interface	---	RS485 and Power
Adjustment Time (Full Range)	Seconds	≤ 90 s (Typical, Depending on Antenna Type)
Lightning Protection Rating	---	IEC 61000-4-5 Current Pulse Profile, Line to Ground 8/20 us @ 6kA ≥ ±5 Repetitions Line to Line, 8/20 us @ 3kA ≥ ±5 Repetitions

### MECHANICAL SPECIFICATIONS

Operating Temperature Range	degrees	-40° to +70° C (-40° to + 158° F)
Protection Class	---	IP65
Housing Material	---	Aluminum
Weight	g (oz)	461 (16.3)
Dimensions	mm (in)	181.8 x 92 x 30 (7.2 x 3.6 x 1.2)

Quoted performance parameters are provided to offer typical, peak or range values only and may vary as a result of normal testing, manufacturing and operational conditions. Extreme operational conditions and/or stress on structural supports is beyond our control. Such conditions may result in damage to this product. Improvements to products may be made without notice.

## ACU-I20-H12I



### NOTES

This data is provisional and subject to changes.