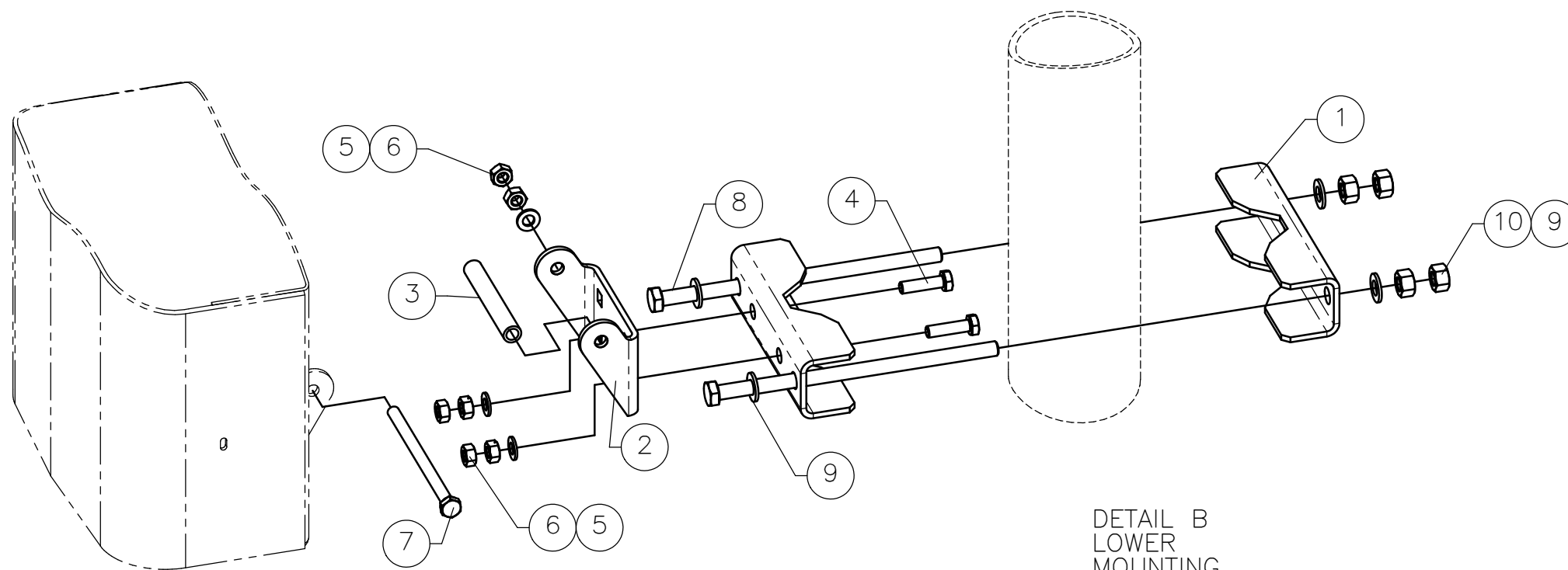
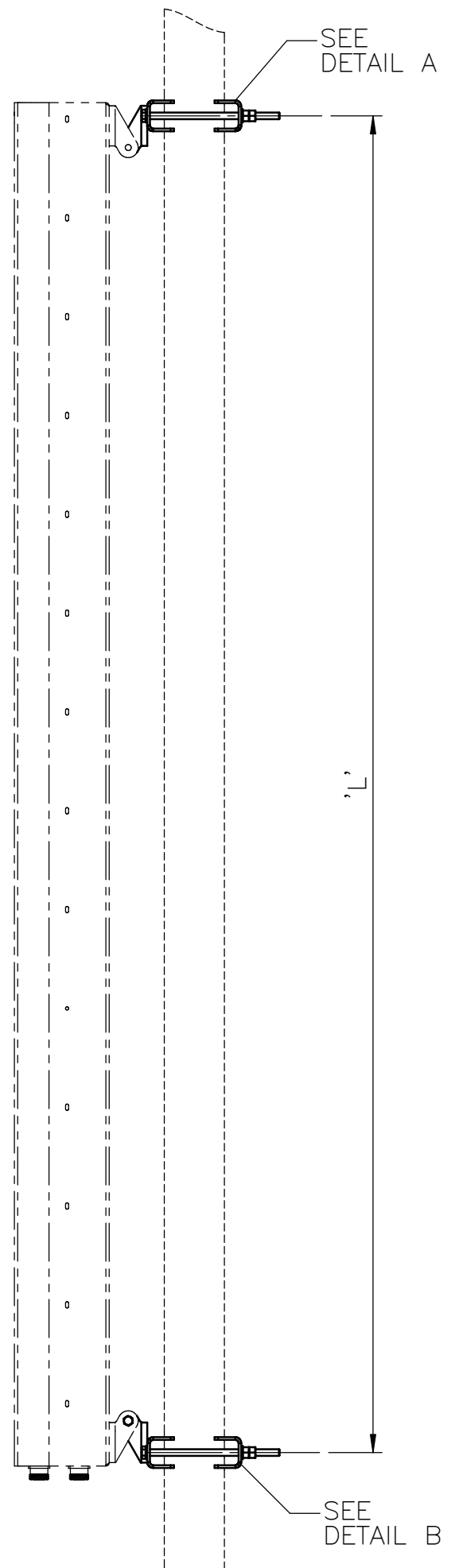


DETAIL A
UPPER
MOUNTING
COMPONENTS

TORQUE SETTING FOR M10 = 30Nm

TORQUE SETTING FOR M8 = 20Nm

ANTENNA TYPE No.	DIM 'L'
5163	2002.00
5165	1470.0
5264	1982.00
5187300	1650.0



DETAIL B
LOWER
MOUNTING
COMPONENTS

ITEM NO.	JAYBEAM PART NO.	DESCRIPTION
1	3902534/68	MOUNTING BRACKET CLAMP (7688)
2	3902773/68	SCISSOR MOUNTING BRACKET
3	3801759/00	TILT SPACING BAR
4	5473130/68	M8 x 30mm Hex Hd Screw Galv
5	6773500/68	M8 Plain Washer Galv
6	6273400/68	M8 Full Nut Galv
7	4473163/68	M8 x 130mm Hex Hd Bolt Galv
8	5473214/68	M10 x 200mm Hex Hd Screw Galv
9	6273600/68	M10 Full Nut Galv
10	6773600/68	M10 Plain Washer Galv

