

TTA-TU110x

1800/2100/2600 MHz | Twin TMA | AISG v2.0 | Fixed Gain | Single Mode or Independent AISG

- 1800/2100/2600 MHz, Twin TMA, AISG v2.0, Fixed Gain
- Single mode or independent AISG models available
- Available with 7/16-DIN or 4.3/10 connectors
- Increases coverage and capacity
- Helps to minimize site acquisition issues
- Reduces the cost of network expansion



Ordering Options	7/16-DIN Female Connectors		4.3/10 Female Connectors
Single Mode AISG	TTA-TU110H		TTA-TU110H-43F
Independent AISG	TTA-TU110N		TTA-TU110N-43F
RF Characteristics			
Downlink (TX) Path	1800 Band	2100 Band	2600 Band
Frequency Band	1805-1880 MHz	2110-2170 MHz	2620-2690 MHz
Insertion Loss (typical)	0.5 dB	0.4 dB	0.4 dB
Return Loss	≥ 18 dB	≥ 18 dB	≥ 18 dB
Continuous Average Power (53 dBm)	200 W	200 W	200 W
Intermodulation (2x43 dBm TX carrier, BTS Port)	-117 dBm in RX band, ANT port	-117 dBm in RX band, ANT port	-117 dBm in RX band, ANT port
Uplink (RX) Path	1800 Band	2100 Band	2600 Band
Frequency Band	1710-1785 MHz	1920-1980	2500-2570 MHz
Gain (nominal)	12 dB	12 dB	12 dB
Return Loss	≥ 16 dB	≥ 16 dB	≥ 16 dB
Noise Figure (typical)	1.4 dB	1.4 dB	1.4 dB
Insertion Loss, Bypass Mode (typical)	2.0 dB	2.2 dB	2.0 dB
Insertion Loss, Bypass Mode	≥ 12 dB	≥ 12 dB	≥ 12 dB
Output IP3 (typical)	25 dBm	25 dBm	25 dBm
Power Supply and Alarm - AISG Mode			
Control Protocol	3GPP/AISG v2.0		
DC Supply Voltage	24 V DC nominal (9 to 31 V DC)		
Power Consumption	< 4 W		
Environmental Characteristics			
Operating Temperature Range	-40° to +65° C (-40° to +149° F)		
Operation	ETS 300 019-1-4, Class 4.1E		
Storage	ETS 300 019-1-1, Class 1.2		
Ingress Protection	IP67		
EMC	EN 301 489-23		
Safety Standards	EN 60950		
MTBF (minimum)	1 Mh/TMA		
Lightning Protection	10 kA 8/20 μs (ANT, BTS) 5 kA common mode (RET port)		



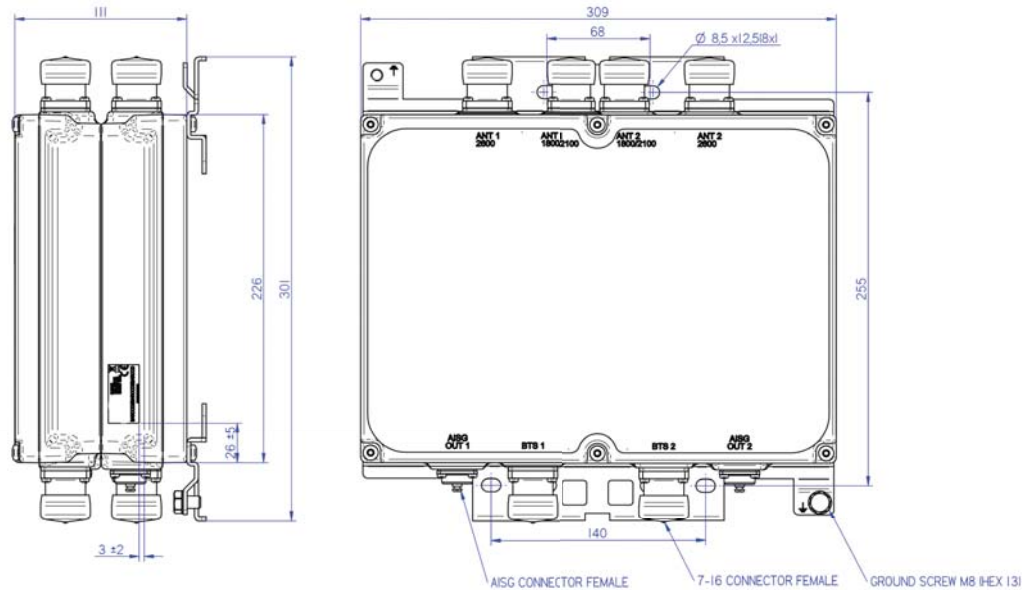
Quoted performance parameters are provided to offer typical, peak or range values only and may vary as a result of normal testing, manufacturing and operational conditions. Extreme operational conditions and/or stress on structural supports is beyond our control. Such conditions may result in damage to this product. Improvements to products may be made without notice.

TTA-TU110x

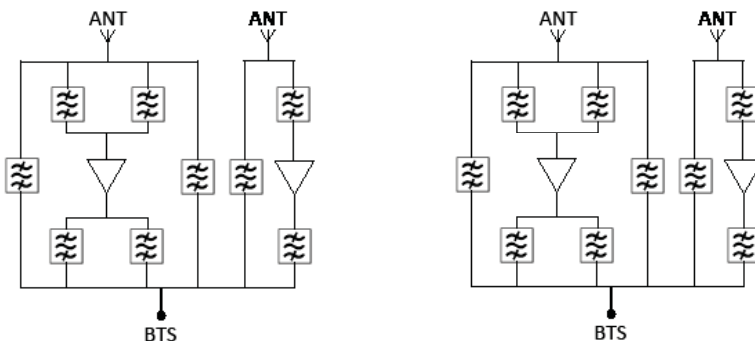
1800/2100/2600 MHz | Twin TMA | AISG v2.0 | Fixed Gain | Single Mode or Independent AISG

Mechanical Characteristics		
Dimensions - Length x Width x Depth	309 x 226 x 111 mm 12.2 x 8.9 x 4.4 in	
Gross Weight	11.1 kg 24.5 lbs	
Packing Dimensions	390 x 390 x 220 mm 15.4 x 15.4 x 8.7 in	
Connectors (number, type)	BTS	2 Connectors / 7/16-DIN Female or 4.3/10 Female
	ANT	4 Connectors / 7/16-DIN Female or 4.3/10 Female
	Single Mode AISG Models	1 Connector / 8 pin circular / Female
	Independent AISG Models	2 Connectors / 8 pin circular / Female
Color	NCS 1502-R	
Mounting	Hose clamps, arbitrary orientation; Fits pipe diameter 40-140 mm (1.6-5.5 in)	

Dimensional Drawing



Block Diagram



Quoted performance parameters are provided to offer typical, peak or range values only and may vary as a result of normal testing, manufacturing and operational conditions. Extreme operational conditions and/or stress on structural supports is beyond our control. Such conditions may result in damage to this product. Improvements to products may be made without notice.