

## TTA-TL100N-JJ

1800 & 2100 / 2600 MHz | Twin TMA | AISG v2.0 | Fixed Gain | Independent AISG

- 1800 & 2100 / 2600 MHz, Twin TMA, AISG v2.0, Fixed Gain, Independent AISG
- Increases coverage and capacity
- Helps to minimize site acquisition issues
- Reduces the cost of network expansion

RF Characteristics			
Downlink (TX) Path		1800 & 2100 Band	2600 Band
Frequency Band		1805-1880 & 2110-2170 MHz	2620-2690 MHz
Insertion Loss (average)		< 0.45 dB & < 0.35 dB	< 0.4 dB
Return Loss		≥ 18 dB	≥ 18 dB
Input Power (W)		< 160 CW / < 2000 (+63 dBm) Peak	< 160 CW / < 2000 (+63 dBm) Peak
Intermodulation (2x43 dBm TX carrier)		≤ -112 dBm in RX band	≤ -112 dBm in RX band
Uplink (RX) Path		1800 & 2100 Band	2600 Band
Frequency Band		1710-1785 & 1920-1980 MHz	2500-2570 MHz
Return Loss	DC On	≥ 18 dB	≥ 18 dB
	DC Off	≥ 13 dB	≥ 13 dB
Gain (fixed)		12 dB	12 dB
Noise Figure (average)		< 1.2 dB	< 1.3 dB
Insertion Loss, Bypass Mode (DC Off)		≤ 2.0 dB	≤ 2.0 dB
Output 1 dB Compression		≥ 12 dBm	≥ 12 dBm
Output IP3		≥ 30 dBm	≥ 30 dBm
Power Supply and Alarm - AISG Mode			
DC Supply Voltage		9-30 V	
Supply Current, Normal Operation (without RET)	at 12 V	245 mA ± 5 mA	
	at 17 V	175 mA ± 5 mA	
	at 30 V	105 mA ± 5 mA	
Alarm Management		AISG 2.0 Protocol	
Power Consumption		< 3.0 W	
Environmental Characteristics			
Operating Temperature Range		-40° to +65° C (-40° to +149° F)	
Ingress Protection		IP67	
EMC		ETS 300 342-3	
Lightning Protection		10 kA (8/20 μs)	
MTBF		> 1 Mh	

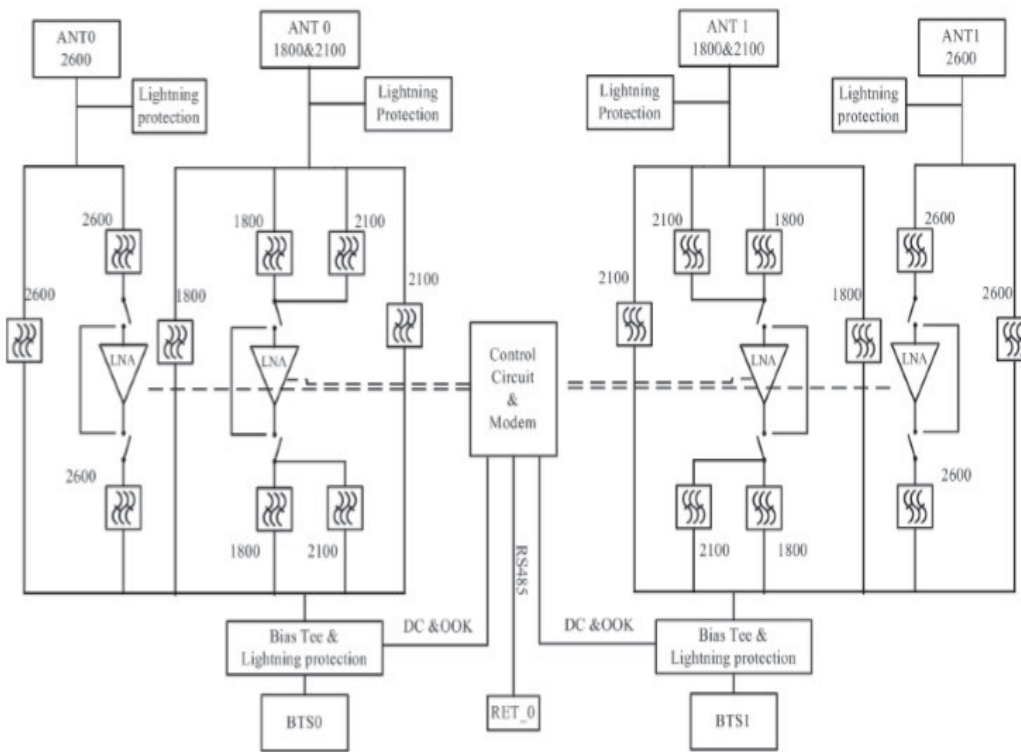


Quoted performance parameters are provided to offer typical or range values only and may vary as a result of normal manufacturing and operational conditions. Extreme operational conditions and/or stress on structural supports is beyond our control. Such conditions may result in damage to this product. Improvements to product may be made without notice.

## TTA-TL100N-JJ

1800 & 2100 / 2600 MHz | Twin TMA | AISG v2.0 | Fixed Gain | Independent AISG

Mechanical Characteristics	
Dimensions - Length x Width x Depth (without brackets)	260 x 280 x 110 mm      10.2 x 11.0 x 4.3 in
Weight (with brackets)	≤ 12 kg      ≤ 26.4 lbs
Packing Dimensions (L x W x D)	475 x 305 x 220 mm      18.7 x 12.0 x 8.7 in
Packing Weight	≤ 8.2 kg      ≤ 18.1 lbs
Connectors (number, type)	BTS      (2x) 7/16-DIN Female / Long Neck
	ANT      (4x) 7/16-DIN Female / Long Neck
	AISG      2 / 8 pin circular / Female / IEC 60130-9
Mounting Characteristics	
Wall or Mast Mounting	<b>Mast Diameter</b> Ø30-Ø125 mm      Ø1.2-Ø4.9 in
Block Diagram	



Quoted performance parameters are provided to offer typical or range values only and may vary as a result of normal manufacturing and operational conditions. Extreme operational conditions and/or stress on structural supports is beyond our control. Such conditions may result in damage to this product. Improvements to product may be made without notice.