

TTA-LCG100H

800 MHz | Twin TMA | AISG v2.0 | Fixed Gain

- 800 MHz, twin TMA, AISG v2.0, fixed gain
- Increases coverage and capacity
- Helps to minimize site acquisition issues
- Reduces the cost of network expansion



Ordering Options		Model Number
7/16-DIN Female Connectors		TTA-LCG100H
4.3/10 Female Connectors		TTA-LCG100H-43F
RF Characteristics		
Downlink (TX) Path		
Frequency Band	791-821 MHz	
Insertion Loss (typical)	0.5 dB	
Continuous Average Power (53 dBm)	200 W	
Intermodulation (2x43 dBm TX carrier, BTS Port)	-117 dBm in RX band, ANT port	
Uplink (RX) Path		
Frequency Band	832-862 MHz	
Gain (nominal)	12 dB	
Noise Figure (typical)	1.3 dB	
Insertion Loss, Bypass Mode (typical)	1.7 dB	
Output IP3 (typical)	25 dBm	
Power Supply and Alarm - AISG Mode		
Control Protocol	3GPP/AISG v2.0	
DC Supply Voltage	9 to 30 V	
Power Consumption	< 2 W	
Environmental Characteristics		
Operating Temperature Range	-40° to +65° C (-40° to +149° F)	
Operation	ETS 300 019-1-4 Class 4.1E	
Storage	ETS 300 019-1-1 Class 1.2	
Ingress Protection	IP67	
EMC	EN 301 489-8	
Safety Standards	EN60950	
Lightning Protection	ANT, BTS	10 kA 8/20 μs
	RET Port	5 kA common mode
MTBF (minimum)	1.4 Mh/TMA	

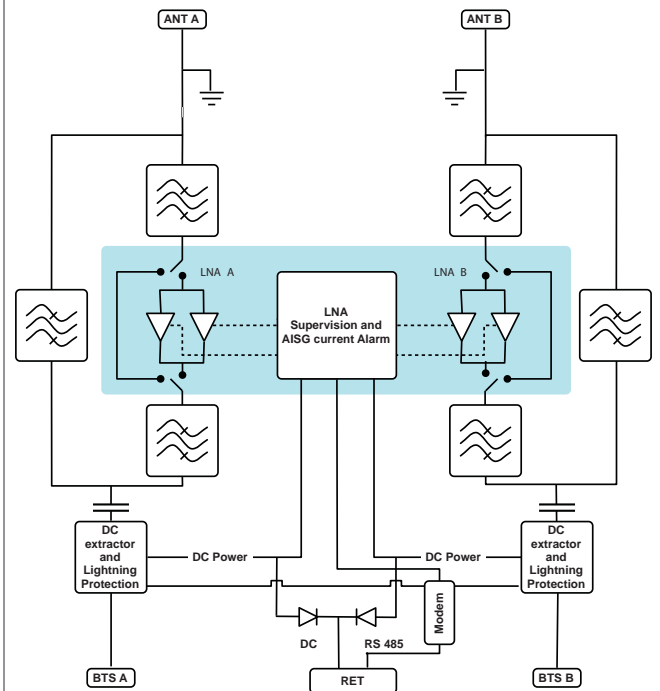
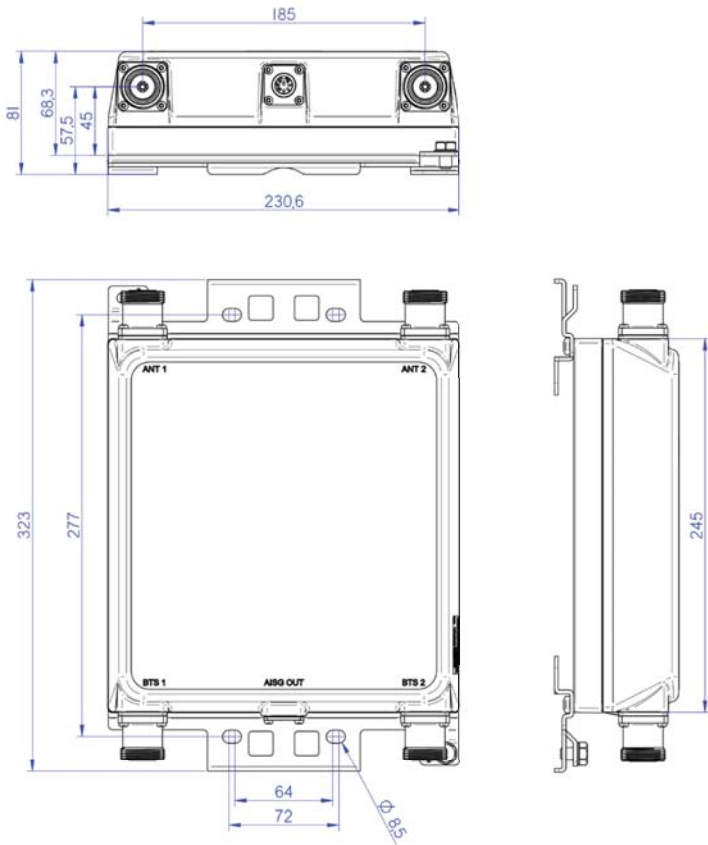


Quoted performance parameters are provided to offer typical or range values only and may vary as a result of normal manufacturing and operational conditions. Extreme operational conditions and/or stress on structural supports is beyond our control. Such conditions may result in damage to this product. Improvements to product may be made without notice.

TTA-LCG100H

800 MHz | Twin TMA | AISG v2.0 | Fixed Gain

Mechanical Characteristics		
Dimensions - Length x Width x Depth		245 x 231 x 68 mm 9.6 x 9.1 x 2.7 in
Gross Weight		5.7 kg 12.6 lbs
Connectors (number, type)	BTS	2 Connectors / 7/16-DIN Female or 4.3/10 Female
	ANT	2 Connectors / 7/16-DIN Female or 4.3/10 Female
	AISG	1 Connector / 8 pin circular
Color		NCS 1502-R
Mounting		Hose clamps, arbitrary orientation
Dimensions (TTA-LCG100H shown)		Block Diagram



Quoted performance parameters are provided to offer typical or range values only and may vary as a result of normal manufacturing and operational conditions. Extreme operational conditions and/or stress on structural supports is beyond our control. Such conditions may result in damage to this product. Improvements to product may be made without notice.