

TTA-GLN100L-S

900 MHz | Compact Single TMA | Fixed Gain

- 900 MHz, compact single TMA, fixed gain
- Increases coverage and capacity
- Helps to minimize site acquisition issues
- Reduces the cost of network expansion

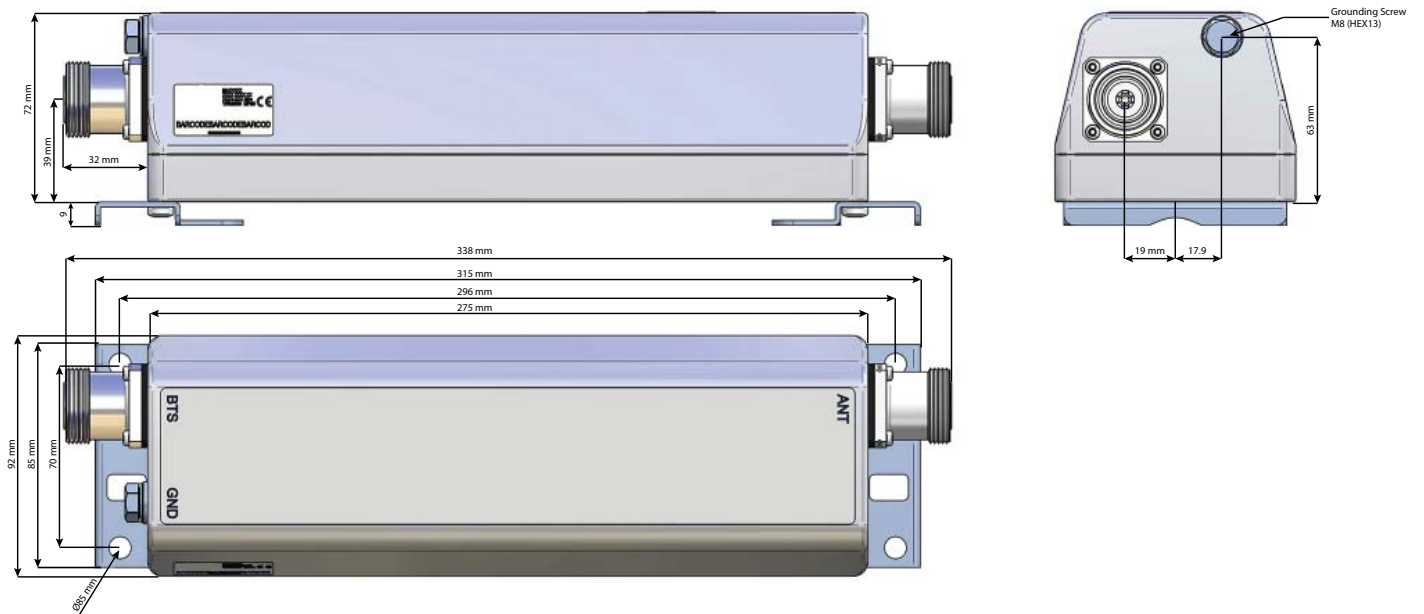
RF Characteristics	
Downlink (TX) Path	
Frequency Band	935-960 MHz
Insertion Loss (typical)	0.35 dB
Return Loss	≥ 18 dB
Continuous Average Power (53 dBm)	200 W
Intermodulation (2x43 dBm TX carrier, BTS Port)	-116 dBm in RX band, ANT port
Uplink (RX) Path	
Frequency Band	890-915 MHz
Gain (nominal)	12 dB
Return Loss	≥ 16 dB
Noise Figure (typical)	1.3 dB
Insertion Loss, Bypass Mode (typical)	1.5 dB
Output IP3 (typical)	25 dBm
Power Supply and Alarm - Current Window Alarm Mode	
DC Supply Voltage via BTS-RF Cable	9 to 17 V DC
Supply Current, Normal Operation (typical)	120 mA
Supply Current, Alarm Mode, Single Level	160-300 mA (factory configurable)
Environmental Characteristics	
Operating Temperature Range	-40° to +65° C (-40° to +149° F)
Operation	ETS 300 019-1-4, Class 4.1E
Storage	ETS 300 019-1-1, Class 1.2
Ingress Protection	IP68
EMC	EN 301 489-8
Safety Standards	EN 60950
MTBF (minimum)	1.4 Mh/TMA

Quoted performance parameters are provided to offer typical, peak or range values only and may vary as a result of normal testing, manufacturing and operational conditions. Extreme operational conditions and/or stress on structural supports is beyond our control. Such conditions may result in damage to this product. Improvements to products may be made without notice.

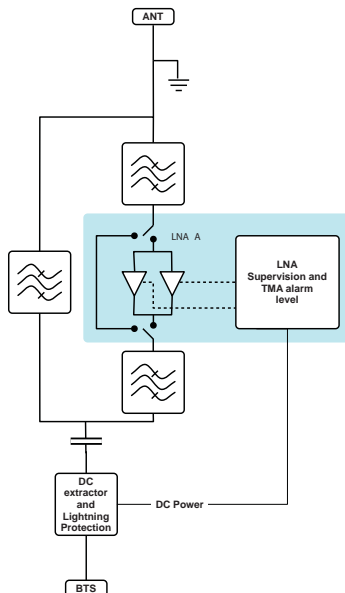
TTA-GLN100L-S

900 MHz | Compact Single TMA | Fixed Gain

Mechanical Characteristics		
Dimensions - Length x Width x Depth	275 x 92 x 72 mm	10.8 x 3.6 x 2.8 in
Gross Weight	2.6 kg	5.7 lbs
Connectors	7/16 Female / Long Neck	
Color	NCS 1502-R	
Mounting	Hose clamps, arbitrary orientation	
Dimensions		



Block Diagram



Quoted performance parameters are provided to offer typical, peak or range values only and may vary as a result of normal testing, manufacturing and operational conditions. Extreme operational conditions and/or stress on structural supports is beyond our control. Such conditions may result in damage to this product. Improvements to products may be made without notice.