

TTA-GLG100K-JJ

900 MHz | Twin TMA | AISG v2.0 | Fixed and Adjustable Gain

- 900 MHz, twin TMA, AISG v2.0, fixed and adjustable gain
- Increases coverage and capacity
- Helps to minimize site acquisition issues
- Reduces the cost of network expansion



RF Characteristics			
Downlink (TX) Path			
Frequency Band	935-960 MHz		
Insertion Loss (average)	< 0.4 dB		
Return Loss	≥ 18 dB		
Input Power (W)	< 160 CW / < 2000 (+63 dBm) Peak		
Intermodulation (2x43 dBm TX carrier)	≤ -117 dBm in RX band		
Uplink (RX) Path			
Frequency Band	890-915 MHz		
Return Loss	DC On	≥ 18 dB	
	DC Off	≥ 13 dB	
Gain	Fixed	12 dB ± 1 dB	
	Adjustable	8-16 dB	
Noise Figure (average)	< 1.4 dB		
Insertion Loss, Bypass Mode (DC Off)	≤ 3.0 dB		
Output 1 dB Compression	≥ 8 dBm (12dB Gain)		
Power Supply and Alarm	Current Window Alarm Mode	AISG Mode	
DC Supply Voltage	8.5 to 15 V	9-30 V	
Supply Current, Normal Operation (without RET)	at 12 V	99 mA ± 5 mA	187 mA ± 5 mA
	at 17 V	74 mA ± 5 mA	134 mA ± 5 mA
	at 30 V	---	90 mA ± 5 mA
Alarm Management	150-280 mA	AISG Protocol	
Power Consumption	< 3.5 W		
Environmental Characteristics			
Operating Temperature Range	-40° to +65° C (-40° to +149° F)		
Ingress Protection	IP67		
EMC	ETS 300 342-3		
Lightning Protection	10 kA (8/20 μs)		
MTBF	> 1 Mh		

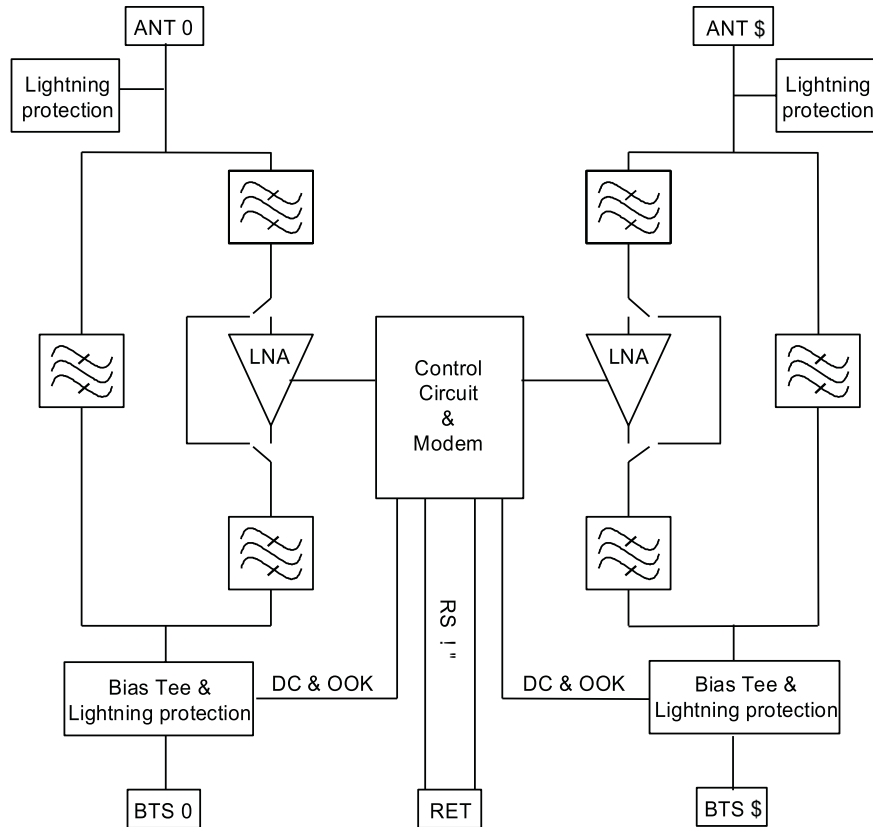


Quoted performance parameters are provided to offer typical or range values only and may vary as a result of normal manufacturing and operational conditions. Extreme operational conditions and/or stress on structural supports is beyond our control. Such conditions may result in damage to this product. Improvements to product may be made without notice.

TTA-GLG100K-JJ

900 MHz | Twin TMA | AISG v2.0 | Fixed and Adjustable Gain

Mechanical Characteristics			
Dimensions - Length x Width x Depth (without brackets)		308 x 198 x 70 mm	12.1 x 7.8 x 2.8 in
Weight (with brackets)		≤ 5.5 kg	≤ 12.1 lbs
Packing Dimensions (L x W x D)		490 x 305 x 165 mm	19.3 x 12.0 x 6.5 in
Packing Weight		≤ 6.5 kg	≤ 14.3 lbs
Connectors (number, type)	BTS	(2x) 7/16-DIN Female / Long Neck	
	ANT	(2x) 7/16-DIN Female / Long Neck	
	AISG	1 / 8 pin circular / Female / IEC 60130-9	
Mounting Characteristics		Mast Diameter	
Wall or Mast Mounting		Ø30-Ø125 mm	Ø1.2-Ø4.9 in
Block Diagram			



Quoted performance parameters are provided to offer typical or range values only and may vary as a result of normal manufacturing and operational conditions. Extreme operational conditions and/or stress on structural supports is beyond our control. Such conditions may result in damage to this product. Improvements to product may be made without notice.