

TTA-GHG100H-06

1800 MHz | Twin TMA | AISG v2.0 | Fixed/Adjustable Gain

- 1800 MHz, twin TMA, AISG v2.0, fixed/adjustable gain
- Increases coverage and capacity
- Helps to minimize site acquisition issues
- Reduces the cost of network expansion



RF Characteristics		
Downlink (TX) Path		
Frequency Band	1805-1880 MHz	
Insertion Loss (avg)	< 0.4 dB	
Return Loss	≥ 18 dB	
Power Handling	Continuous Wave	< 160 W
	Peak (+63 dBm)	< 2000 W
IM3 (2x43 dBm)	≤ -117 dBm	
Uplink (RX) Path		
Frequency Band	1710-1785 MHz	
Gain	Fixed	12 ± 1 dB
	Adjustable	8-16 dB
Return Loss	DC On	≥ 18 dB
	DC Off	≥ 13 dB
Noise Figure (avg)	< 1.4 dB	
Insertion Loss, Bypass Mode	≤ 3.0 dB (DC Off)	
Output 1 dB compression point (12 dB gain)	≥ 8 dBm	
Output IP3 (typical)	≥ 24 dBm	
Power Supply and Alarm	CWA Mode (Single Port)	AISG Mode (Total Port)
DC Supply Voltage	8.5 to 15 V	9 to 30 V
Operating Current Per TMA (without RET)	at 12 V	99 ± 5 mA
	at 17 V	74 ± 5 mA
	at 30 V	--
Alarm Management	150-280	AISG
Power Consumption	< 3.5 W	
Environmental Characteristics		
Operating Temperature Range	-40° to +65° C (-40° to +149° F)	
Lightning	10 kA, 8/20 μs	
EMC	ETS 300 342-3	
Ingress Protection	IP67	
MTBF	> 1.0 Mh	

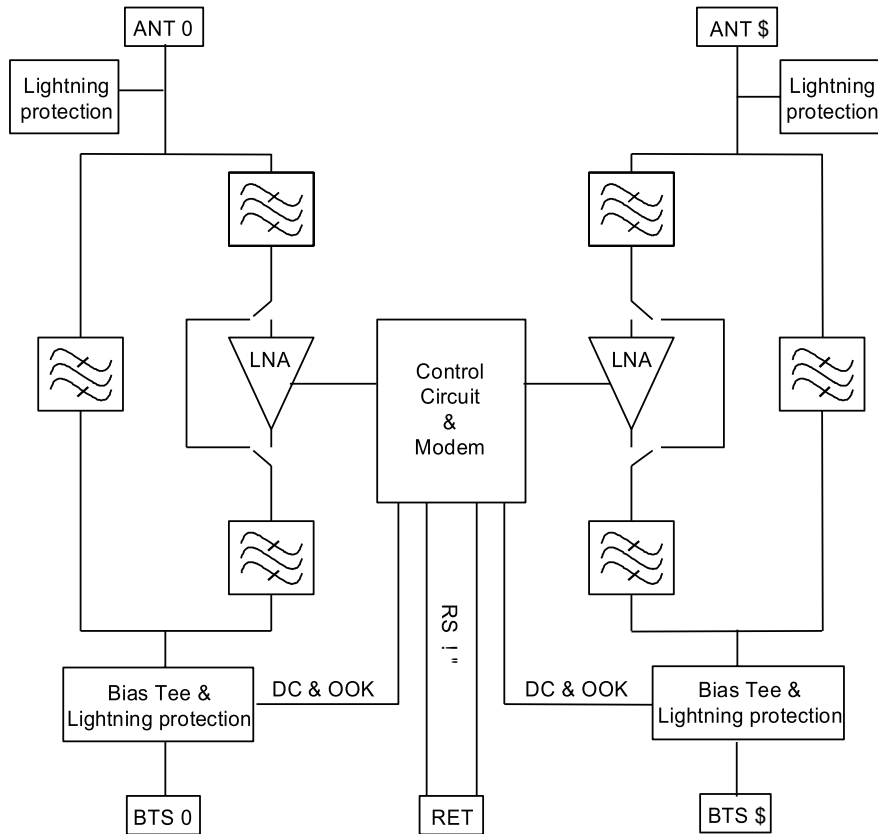


Quoted performance parameters are provided to offer typical, peak or range values only and may vary as a result of normal testing, manufacturing and operational conditions. Extreme operational conditions and/or stress on structural supports is beyond our control. Such conditions may result in damage to this product. Improvements to products may be made without notice.

TTA-GHG100H-06

1800 MHz | Twin TMA | AISG v2.0 | Fixed/Adjustable Gain

Mechanical Characteristics			
Dimensions - Length x Width x Depth		220 x 160 x 100 mm	8.7 x 6.3 x 3.9 in
Gross Weight		≤ 5.0 kg	≤ 11.0 lbs
Packing Dimensions (L x W x D)		405 x 240 x 210 mm	15.9 x 9.4 x 8.3 in
Packing Weight		≤ 6.2 kg	≤ 13.7 lbs
Connectors (number, type)	BTS	2 Connectors / 7/16-DIN Female	
	ANT	2 Connectors / 7/16-DIN Female	
	AISG	8-pin Female, IEC 60130-9	
Mounting			
Wall or Mast Mounting		Attach to Mast Diameter	
Wall or Mast Mounting		30-125 mm	1.2-4.9 in
Block Diagram			



Quoted performance parameters are provided to offer typical, peak or range values only and may vary as a result of normal testing, manufacturing and operational conditions. Extreme operational conditions and/or stress on structural supports is beyond our control. Such conditions may result in damage to this product. Improvements to products may be made without notice.