

## TTA-DU100x

1800/2600 MHz | Twin TMA | AISG v2.0 or AISG v1.1 | Fixed Gain

- 1800/2600 MHz, Twin TMA, AISG v2.0 or AISG v1.1, Fixed Gain
- Available in single mode or independent AISG
- Increases coverage and capacity
- Helps to minimize site acquisition issues
- Reduces the cost of network expansion



Ordering Options	Connector Type	
	7/16-DIN Female Connectors	4.3/10 Female Connectors
Single Mode (1x AISG)	TTA-DU100H	TTA-DU100H-43F
Independent AISG (2x AISG)	TTA-DU100N	TTA-DU100N-43F
RF Characteristics		
Downlink (TX) Path	1800 Band	2600 Band
Frequency Band	1805-1880 MHz	2620-2690 MHz
Insertion Loss	0.5 dB (typical); < 0.7 dB (max)	0.4 dB
Continuous Average Power (53 dBm)	200 W	200 W
Intermodulation (2x43 dBm TX carrier, BTS Port)	-117 dBm in RX band, ANT port	-117 dBm in RX band, ANT port
Uplink (RX) Path	1800 Band	2600 Band
Frequency Band	1710-1785 MHz	2500-2570 MHz
Gain (nominal)	12 dB	12 dB
Noise Figure (typical)	1.5 dB	1.5 dB
Insertion Loss, Bypass Mode (typical)	< 2.7 dB	< 2.6 dB
Output IP3 (typical)	25 dBm	25 dBm
Power Supply and Alarm - AISG Mode		
Alarm	3GPP/AISG v2.0 or AISG v1.1	
DC	24 V DC nominal (9 to 30 V)	
Power	< 4 W	
Environmental Characteristics		
Operating Temperature Range	-40° to +65° C (-40° to +149° F)	
Operation	ETS 300 019-1-4, Class 4.1E	
Storage	ETS 300 019-1-1, Class 1.2	
Ingress Protection	IP67	
EMC	EN301 489-8	
Safety Standards	EN 60950	
Lightning Protection	10 kA 8/20 μs	
MTBF (minimum)	1 Mh/TMA	

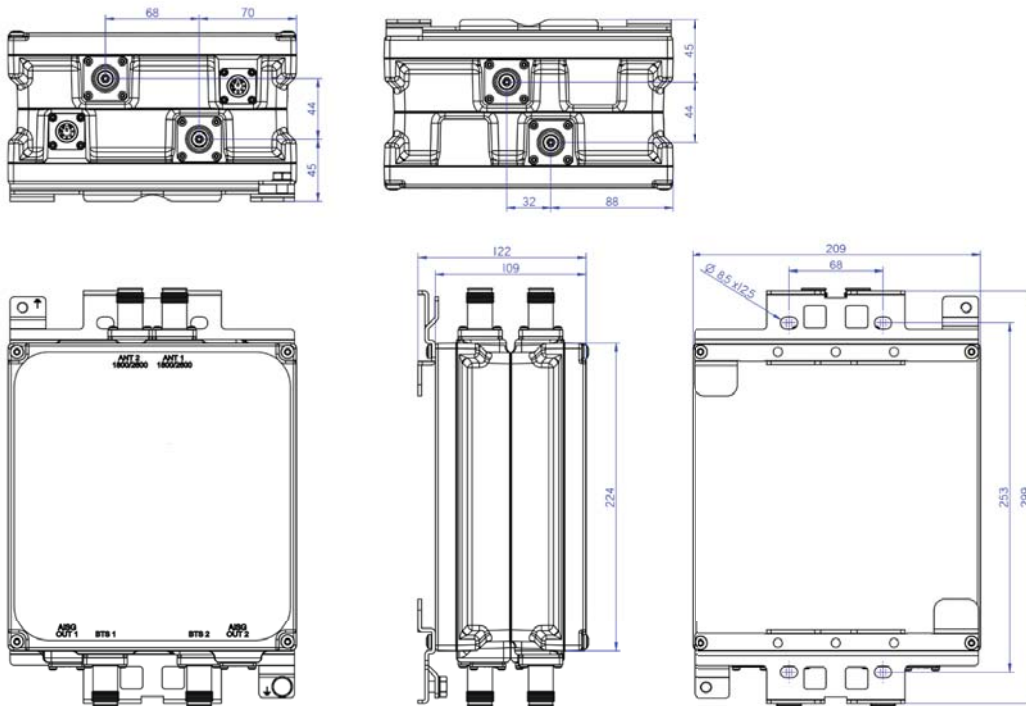


Quoted performance parameters are provided to offer typical or range values only and may vary as a result of normal manufacturing and operational conditions. Extreme operational conditions and/or stress on structural supports is beyond our control. Such conditions may result in damage to this product. Improvements to product may be made without notice.

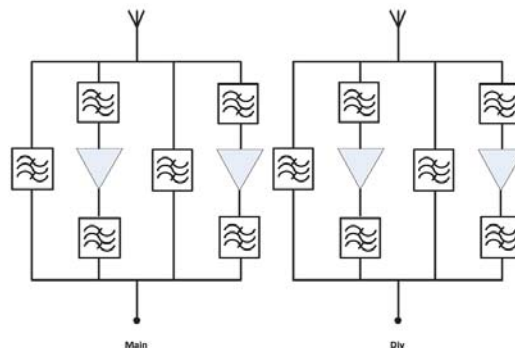
## TTA-DU100x

1800/2600 MHz | Twin TMA | AISG v2.0 or AISG v1.1 | Fixed Gain

Mechanical Characteristics			
Dimensions - Length x Width x Depth		224 x 209 x 109 mm      8.8 x 8.2 x 4.3 in	
Gross Weight		7.0 kg      15.4 lbs	
Connectors (type)	BTS	2 Connectors / 7/16-DIN Female or 4.3/10 Female	
	ANT	2 Connectors / 7/16-DIN Female or 4.3/10 Female	
	AISG	Single Mode Model	1 Connector / 8-Pin Circular Female
		Independent AISG Model	2 Connectors / 8-Pin Circular Female
Color		NCS 1502-R	
Mounting		Hose clamps, arbitrary orientation	
Dimensions (TTA-DU100N-43F shown)			



### Block Diagram



Quoted performance parameters are provided to offer typical or range values only and may vary as a result of normal manufacturing and operational conditions. Extreme operational conditions and/or stress on structural supports is beyond our control. Such conditions may result in damage to this product. Improvements to product may be made without notice.