

TTA-DN120H-06

GSM1800/UMTS2100 | Twin TMA | AISG v2.0 | Fixed Gain

- GSM1800/UMTS2100, twin TMA, AISG v2.0, fixed gain
- Increases coverage and capacity
- Helps to minimize site acquisition issues
- Reduces the cost of network expansion

| RF Characteristics | | | |
|---|-----------------|----------------------------------|---------------|
| Downlink (TX) Path | | GSM1800 | UMTS2100 |
| Frequency Band | | 1805-1880 MHz | 2110-2170 MHz |
| Insertion Loss | | < 0.45 dB | < 0.35 dB |
| Return Loss | | ≥ 18 dB | ≥ 18 dB |
| Power Handling | Continuous Wave | < 160 W | |
| | Peak (+63 dBm) | < 2000 W | |
| Intermodulation (2x43 dBm) | | ≤ -112 dBm | |
| Uplink (RX) Path | | GSM1800 | UMTS2100 |
| Frequency Band | | 1710-1785 MHz | 1920-1980 MHz |
| Gain (±1.0 dB) | | 12 dB | 12 dB |
| Return Loss | DC On | ≥ 18 dB | ≥ 18 dB |
| | DC Off | ≥ 14 dB | ≥ 14 dB |
| Noise Figure (avg) | | < 1.2 dB | |
| Insertion Loss, Bypass Mode | | ≤ 3.0 dB (DC Off) | |
| Output 1 dB compression point | | ≥ 12 dBm | |
| Output IP3 (typical) | | ≥ 24 dBm | |
| Power Supply and Alarm - AISG Mode | | | |
| DC Supply Voltage | | 9.0 to 30 V | |
| Operating Current per TMA (without RET) | at 12 V | 245 ± 5 mA | |
| | at 17 V | 175 ± 5 mA | |
| | at 30 V | 105 ± 5 mA | |
| Alarm Management | | AISG | |
| Power Consumption | | < 3.0 W | |
| Environmental Characteristics | | | |
| Operating Temperature Range | | -40° to +65° C (-40° to +149° F) | |
| Lightning | | 10 kA, 8/20 μs | |
| EMC | | ETS 300 342-3 | |
| Ingress Protection | | IP67 | |
| MTBF | | > 1.0 Mh | |

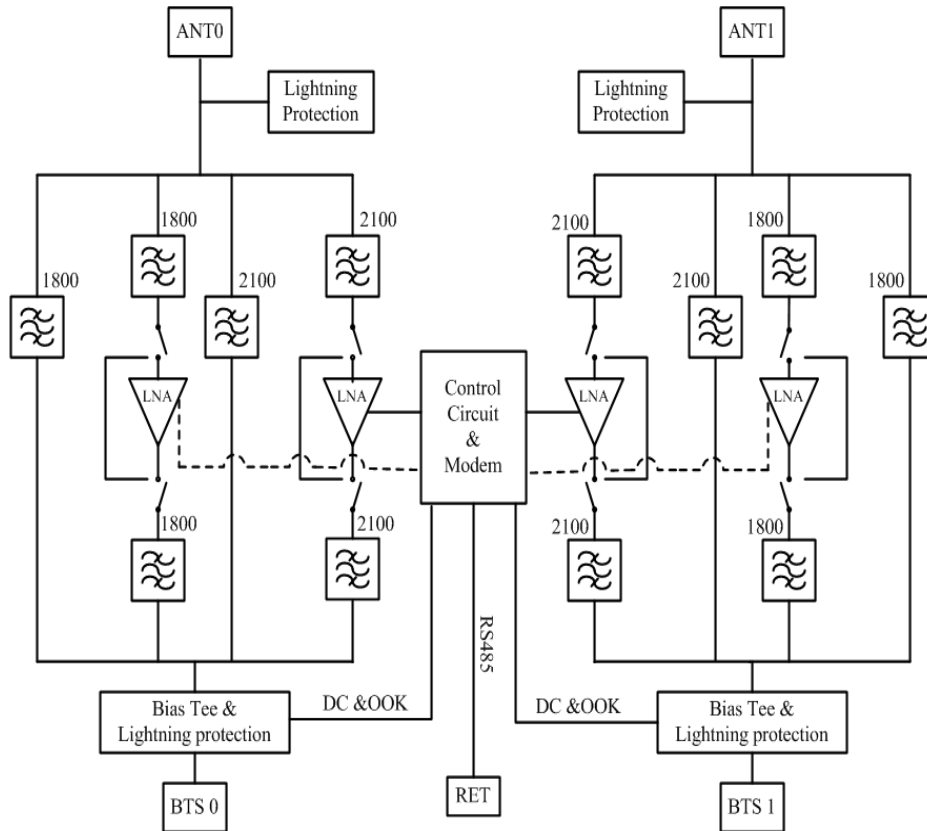


Quoted performance parameters are provided to offer typical, peak or range values only and may vary as a result of normal testing, manufacturing and operational conditions. Extreme operational conditions and/or stress on structural supports is beyond our control. Such conditions may result in damage to this product. Improvements to products may be made without notice.

TTA-DN120H-06

GSM1800/UMTS2100 | Twin TMA | AISG v2.0 | Fixed Gain

| Mechanical Characteristics | | | |
|-------------------------------------|------|--------------------------------|---------------------|
| Dimensions - Length x Width x Depth | | 280 x 196 x 110 mm | 11.0 x 7.7 x 4.3 in |
| Gross Weight | | ≤ 7 kg | ≤ 15.4 lbs |
| Packing Dimensions (L x W x D) | | 475 x 245 x 220 mm | 18.7 x 9.6 x 8.7 in |
| Packing Weight | | ≤ 8.2 kg | ≤ 18.1 lbs |
| Connectors (number, type) | BTS | 2 Connectors / 7/16-DIN Female | |
| | ANT | 2 Connectors / 7/16-DIN Female | |
| | AISG | 8-pin Female, IEC 60130-9 | |
| Mounting | | | |
| Wall or Mast Mounting | | Attach to Mast Diameter | |
| | | 30-125 mm | 1.2-4.9 in |
| Block Diagram | | | |



Quoted performance parameters are provided to offer typical, peak or range values only and may vary as a result of normal testing, manufacturing and operational conditions. Extreme operational conditions and/or stress on structural supports is beyond our control. Such conditions may result in damage to this product. Improvements to products may be made without notice.