

TTA-DD100N-JJ

800/900 MHz | Twin TMA | AISG v2.0 | Fixed Gain | Independent AISG

- 800/900 MHz, Twin TMA, AISG v2.0, Fixed Gain, Independent AISG
- Increases coverage and capacity
- Helps to minimize site acquisition issues
- Reduces the cost of network expansion



RF Characteristics			
Downlink (TX) Path		800 Band	900 Band
Frequency Band		791-821 MHz	925-960 MHz
Insertion Loss (average)		< 0.4 dB	< 0.4 dB
Return Loss		≥ 18 dB	≥ 18 dB
Input Power (W)		< 160 CW / < 2000 (+63 dBm) Peak	< 160 CW / < 2000 (+63 dBm) Peak
Intermodulation (2x43 dBm TX carrier)		≤ -112 dBm in RX band	≤ -112 dBm in RX band
Uplink (RX) Path		800 Band	900 Band
Frequency Band		832-862 MHz	880-915 MHz
Return Loss	DC On	≥ 18 dB	≥ 18 dB
	DC Off	≥ 14 dB	≥ 14 dB
Gain (fixed)		12 dB ± 1 dB	12 dB ± 1 dB
Noise Figure (average)		< 1.3 dB	< 1.3 dB
Insertion Loss, Bypass Mode (DC Off)		≤ 3.0 dB	≤ 3.0 dB
Output 1 dB Compression		≥ 12 dBm	≥ 12 dBm
Output IP3		≥ 24 dBm	≥ 24 dBm
Power Supply and Alarm - AISG Mode			
DC Supply Voltage		9-30 V	
Supply Current, Normal Operation (without RET)	at 12 V	245 mA ± 5 mA	
	at 17 V	175 mA ± 5 mA	
	at 30 V	105 mA ± 5 mA	
Alarm Management		AISG Protocol	
Power Consumption		< 3.0 W	
Environmental Characteristics			
Operating Temperature Range		-40° to +65° C (-40° to +149° F)	
Ingress Protection		IP67	
EMC		ETS 300 342-3	
Lightning Protection		10 kA (8/20 μs)	
MTBF		> 1 Mh	

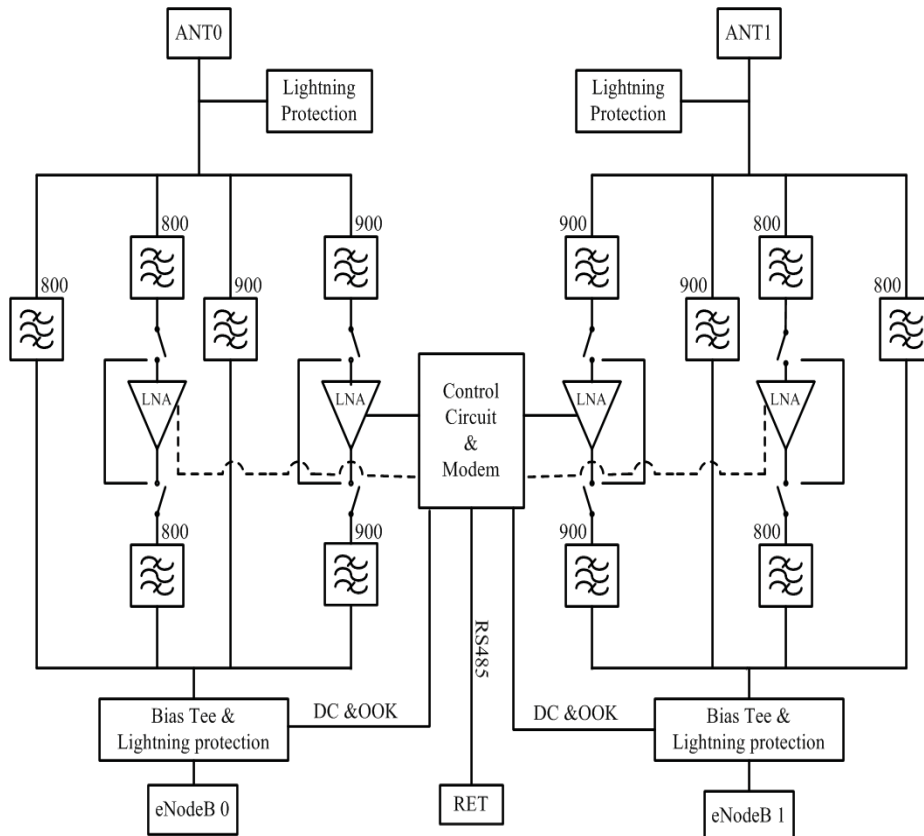


Quoted performance parameters are provided to offer typical or range values only and may vary as a result of normal manufacturing and operational conditions. Extreme operational conditions and/or stress on structural supports is beyond our control. Such conditions may result in damage to this product. Improvements to product may be made without notice.

TTA-DD100N-JJ

800/900 MHz | Twin TMA | AISG v2.0 | Fixed Gain | Independent AISG

Mechanical Characteristics			
Dimensions - Length x Width x Depth (without brackets)		342 x 247 x 132 mm	13.5 x 9.7 x 5.2 in
Weight (with brackets)		≤ 10 kg	≤ 22.0 lbs
Packing Dimensions (L x W x D)		545 x 300 x 250 mm	21.5 x 11.8 x 9.8 in
Packing Weight		≤ 12 kg	≤ 26.4 lbs
Connectors (number, type)	BTS	(2x) 7/16-DIN Female / Long Neck	
	ANT	(2x) 7/16-DIN Female / Long Neck	
	AISG	2 / 8 pin circular / Female / IEC 60130-9	
Mounting Characteristics		Mast Diameter	
Wall or Mast Mounting		Ø30-Ø125 mm	Ø1.2-Ø4.9 in
Block Diagram			



Quoted performance parameters are provided to offer typical or range values only and may vary as a result of normal manufacturing and operational conditions. Extreme operational conditions and/or stress on structural supports is beyond our control. Such conditions may result in damage to this product. Improvements to product may be made without notice.