

TTA-DC110K-JJ

800/900 MHz | Twin TMA | AISG v2.0 | Fixed Gain

- 800/900 MHz, Twin TMA, AISG v2.0, Fixed Gain
- Increases coverage and capacity
- Helps to minimize site acquisition issues
- Reduces the cost of network expansion

Ordering Options	Model Number
7/16-DIN Female Connectors	TTA-DC110K-JJ
4.3/10 Female Connectors	TTA-DC110K-43F-JJ

RF Characteristics		
Downlink (TX) Path		
		800 Band 900 Band
Frequency Band		935-960 MHz 925-950 MHz
Bandwidth		25 MHz
Insertion Loss (max)		0.5 dB
Return Loss (min)		18 dB
Group Delay (max)		45 ns over any 5MHz in RX band
Input Power (W)	Average Power	150 W
	Max Power	1.5 KW
Intermodulation (2x43 dBm TX carrier) (Power up ANT)		≤ -107 dBm in RX band
Uplink (RX) Path		
		800 Band 900 Band
Frequency Band		890-915 MHz 880-905 MHz
Bandwidth		25 MHz
Return Loss	Bypass mode (min)	15 dB
	Normal mode (min)	18 dB
Gain		12 dB ± 1 dB
Gain Fluctuation	Typical	± 0.5 dB
	Max	± 1 dB
Noise Figure	Typical	1.8 dB
	Max	2.0 dB
Insertion Loss, Bypass Mode		2.8 dB
Impedance		50 Ω
Output 1 dB Compression (min)		≥ 12 dBm
Power Supply and Alarm - AISG Mode		
DC Supply Voltage		10-30 V
Supply Current, Normal Operation (without RET)	at 10 V	280 mA
	at 30 V	110 mA
Alarm Management		AISG Protocol

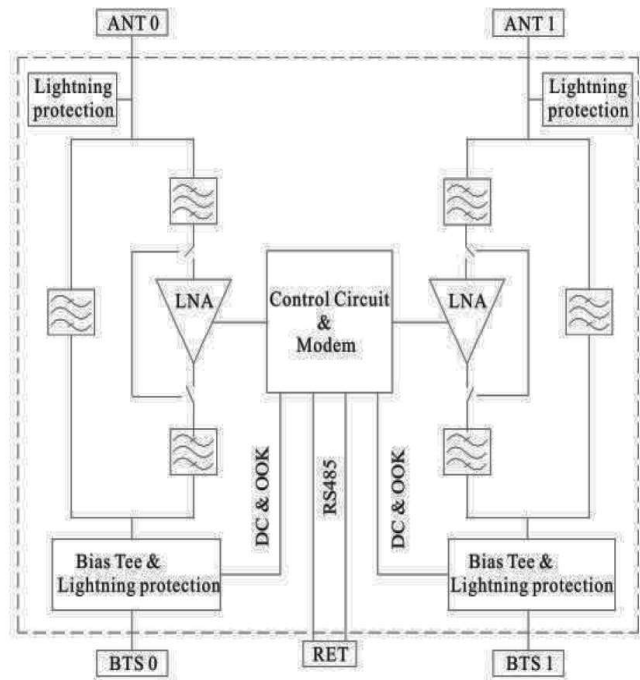
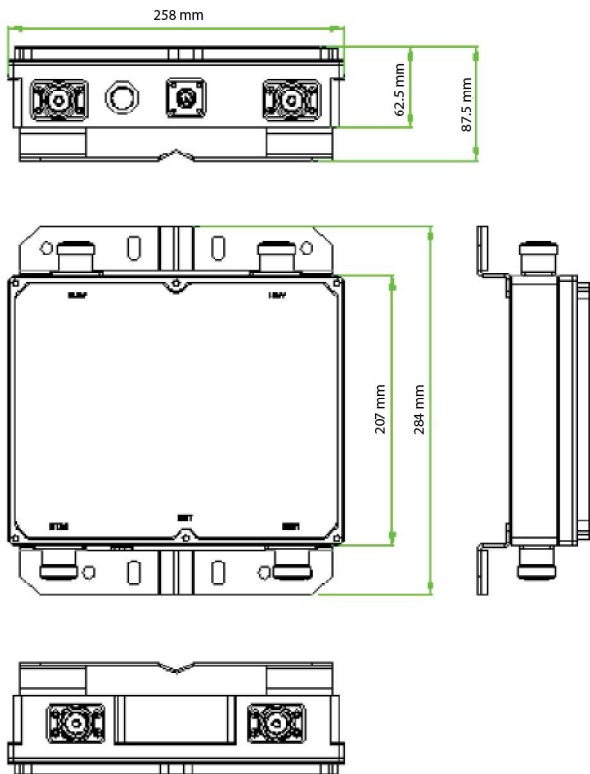


Quoted performance parameters are provided to offer typical or range values only and may vary as a result of normal manufacturing and operational conditions. Extreme operational conditions and/or stress on structural supports is beyond our control. Such conditions may result in damage to this product. Improvements to product may be made without notice.

TTA-DC110K-JJ

800/900 MHz | Twin TMA | AISG v2.0 | Fixed Gain

Environmental Characteristics		
Operating Temperature Range		-20° to +65° C (-4° to +149° F)
Ingress Protection		IP67
EMC		ETS 300 342-3
MTBF		> 1 000 000 hours (TMA)
Mechanical Characteristics		
Weight		6 kg (13.2 lbs)
Connectors (number, type)	RF	(4x) 7/16-DIN Female / Long Neck
	AISG	8 pin circular / Female / IEC 60130-9 (pin 3: RS485B; pin 5: RS485A, pin 1 & pin 6: 10-30 V DC; pin 7: DC return; other pins: not connected)
Mounting Characteristics		Mast Diameter
Wall or Mast Mounting		Ø64-Ø114 mm (Ø2.5-Ø4.9 in)
Dimensions (TTA-DC110K-JJ shown)		Block Diagram



Quoted performance parameters are provided to offer typical or range values only and may vary as a result of normal manufacturing and operational conditions. Extreme operational conditions and/or stress on structural supports is beyond our control. Such conditions may result in damage to this product. Improvements to product may be made without notice.