

TTA-DB113x

700 / 900 | Twin TMA | AISG v2.0 | Fixed Gain

- 700 / 900, Twin TMA, AISG v2.0, Fixed Gain
- Available in single mode or independent AISG
- Increases coverage and capacity
- Helps to minimize site acquisition issues
- Reduces the cost of network expansion

**NO
IMAGE
AVAILABLE**

**COMING
SOON**

Ordering Options	Connector Type	
	7/16-DIN Female Connectors	4.3/10 Female Connectors
Single Mode (1x AISG)	TTA-DB113H	TTA-DB113H-43F
Independent AISG (2x AISG)	TTA-DB113N	TTA-DB113N-43F
RF Characteristics		
Downlink (TX) Path	700	900
Frequency Band	763-803 MHz	925-960 MHz
Insertion Loss (typical)	0.4 dB	0.4 dB
Return Loss	≥ 18 dB	≥ 18 dB
Continuous Average Power (53 dBm)	200 W	200 W
Intermodulation (2x43 dBm TX carrier, BTS Port)	-117 dBm in RX band, ANT port	-117 dBm in RX band, ANT port
Uplink (RX) Path	700	900
Frequency Band	723-753 MHz	880-915 MHz
Gain (nominal)	12 dB	12 dB
Return Loss	≥ 16 dB	≥ 16 dB
Noise Figure (typical)	1.1 dB	1.1 dB
Insertion Loss, Bypass Mode (typical)	1.7 dB	1.7 dB
Return Loss, Bypass Mode	≥ 12 dB	≥ 12 dB
Output IP3	> 25 dBm	> 25 dBm
Power Supply and Alarm - AISG Mode		
DC Supply Voltage	24 V DC nominal (9-31 V DC)	
Power Consumption	< 4 W	
Control Protocol	3GPP/AISG v2.0	
Environmental Characteristics		
Operating Temperature Range	-40° to +65° C (-40° to +149° F)	
Operation	ETS 300 019-1-4 Class 4.1E	
Storage	ETS 300 019-1-1 Class 1.2	
Ingress Protection	IP67	
EMC	EN 301 489-8	
Safety Standards	EN 60950	
Lightning Protection	ANT, BTS	10 kA 8/20 μs
	RET Port	5 kA common mode
MTBF (minimum)	1 Mh/TMA	



Quoted performance parameters are provided to offer typical, peak or range values only and may vary as a result of normal testing, manufacturing and operational conditions. Extreme operational conditions and/or stress on structural supports is beyond our control. Such conditions may result in damage to this product. Improvements to products may be made without notice.

TTA-DB113x

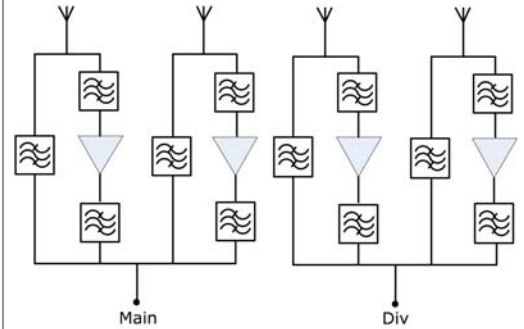
700 / 900 | Twin TMA | AISG v2.0 | Fixed Gain

Mechanical Characteristics			
Dimensions - Length x Width x Depth		265 x 245 x 147 mm 10.4 x 9.6 x 5.8 in	
Gross Weight		< 12.0 kg < 26.5 lbs	
Connectors (number, type)	BTS	(2x) 7/16-DIN Female or 4.3/10 Female	
	ANT	(4x) 7/16-DIN Female or 4.3/10 Female	
	AISG	Single Mode Model	(1x) 8-Pin Circular Female
		Independent Mode Model	(2x) 8-Pin Circular Female
Color		NCS 1502-R	
Mounting		Hose clamps, arbitrary orientation	

Dimensions	Block Diagram
------------	---------------

NO
IMAGE
AVAILABLE

COMING
SOON



Quoted performance parameters are provided to offer typical, peak or range values only and may vary as a result of normal testing, manufacturing and operational conditions. Extreme operational conditions and/or stress on structural supports is beyond our control. Such conditions may result in damage to this product. Improvements to products may be made without notice.