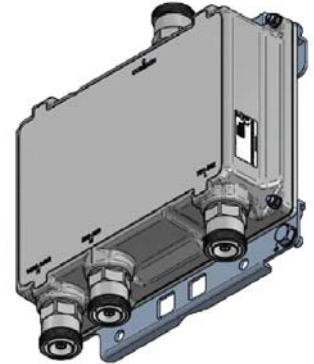


## TPX-25x

Triplexer | 800 / 900 / 1500 | Single and Twin Units | Indoor / Outdoor

- Combines 800, 900 and 1500 MHz into a single output
- Usable at BTS or antenna end
- Available as single or twin unit, with Auto-Sense or various DC/AISG bypass configurations
- Suitable for indoor or outdoor applications
- Pole or wall mounting
- Available with 7/16-DIN or 4.3-10 Connectors



| Ordering Options  | Single Unit |              | Twin Unit |              |
|---|-------------|--------------|-----------|--------------|
|   | 7/16-DIN    | 4.3-10       | 7/16-DIN  | 4.3-10       |
| When ordering replace "x" with correct option for bypass configuration and single or twin unit. |             |              |           |              |
| With DC/AISG Auto-Sense   | TPX-25A     | TPX-25A-43F  | TPX-25AA  | TPX-25AA-43F |
| DC/AISG bypass from common to 1500 port   | TPX-252     | TPX-252-43F  | TPX-253   | TPX-253-43F  |
| DC/AISG bypass from common to 900 port  | TPX-250     | TPX-250-43F  | TPX-251   | TPX-251-43F  |
| DC/AISG bypass from common to 800 port  | TPX-258     | TPX-258-43F  | TPX-259   | TPX-259-43F  |
| DC/AISG bypass from common to 900 & 1500 ports  | TPX-2510    | TPX-2510-43F | TPX-2511  | TPX-2511-43F |
| DC/AISG bypass from common to 800 & 1500 ports  | TPX-2512    | TPX-2512-43F | TPX-2513  | TPX-2513-43F |
| Full DC/AISG bypass   | TPX-254     | TPX-254-43F  | TPX-255   | TPX-255-43F  |
| No DC/AISG bypass   | TPX-256     | TPX-256-43F  | TPX-257   | TPX-257-43F  |

| Electrical Characteristics            |               |         |
|---------------------------------------|---------------|---------|
| <b>800 Channel (Port 1) - Common</b>  |               |         |
| Frequency Band                        | 791-862 MHz   |         |
| Insertion Loss                        | Typical       | 0.2 dB  |
|                                       | Max           | 0.4 dB  |
| Return Loss                           | > 18 dB       |         |
| Rejection                             | 925-960 MHz   | > 50 dB |
|                                       | 1452-1496 MHz | > 50 dB |
| Continuous Average Power              | 250 W         |         |
| Intermodulation, 2x43 dBm TX Carrier  | -117 dBm      |         |
| <b>900 Channel (Port 2) - Common</b>  |               |         |
| Frequency Band                        | 880-960 MHz   |         |
| Insertion Loss                        | Typical       | 0.2 dB  |
|                                       | Max           | 0.4 dB  |
| Return Loss                           | > 18 dB       |         |
| Rejection                             | 791-821 MHz   | > 50 dB |
|                                       | 1452-1496 MHz | > 50 dB |
| Continuous Average Power              | 250 W         |         |
| Intermodulation, 2x43 dBm TX Carrier  | -117 dBm      |         |
| <b>1500 Channel (Port 3) - Common</b> |               |         |
| Frequency Band                        | 1427-1496 MHz |         |
| Insertion Loss                        | Typical       | 0.2 dB  |
|                                       | Max           | 0.3 dB  |
| Return Loss                           | > 18 dB       |         |
| Rejection                             | 791-862 MHz   | > 50 dB |
|                                       | 880-960 MHz   | > 50 dB |
| Continuous Average Power              | 250 W         |         |
| Intermodulation, 2x43 dBm TX Carrier  | -117 dBm      |         |

Quoted performance parameters are provided to offer typical or range values only and may vary as a result of normal manufacturing and operational conditions. Extreme operational conditions and/or stress on structural supports is beyond our control. Such conditions may result in damage to this product. Improvements to product may be made without notice.

## TPX-25x

Triplexer | 800 / 900 / 1500 | Single and Twin Units | Indoor / Outdoor

| General Electrical         | Standard Models   | Models With Auto-Sense |
|----------------------------|---|------------------------|
| DC Bypass Rating           | 3 A   | 2 A, drop max 2.4 V    |
| AISG Pass                  | Yes   | ---                    |
| AISG RL                    | ---   | > 12 dB                |
| AISG Loss                  | ---   | < 1 dB                 |
| Lightning Protection       | ---   | ±5 kA 8/20 μs          |
| Input Voltage Power        | ---   | 8-30 V max 0.3 W       |
| Environmental              |   |                        |
| Temperature Range          | -40° to +65° C (-40° to 149° F)   |                        |
| Environmental              | ETS 300 019-1-4 Class 4.1E  |                        |
| Storage                    | ETS 300 019-1-1 1.2   |                        |
| Ingress Protection         | IP68  |                        |
| Mechanical Characteristics | Single Unit   | Twin Unit              |
| Finish                     | Light Grey, NCS 1502-R  |                        |
| Connectors                 | 7/16 Female or 4.3-10 Female  |                        |
| Dimensions (H x W x D)     | 160 x 220 x 58 mm (6.3 x 8.7 x 2.3 in)  | TBD                    |
| Weight                     | 3.5 kg (7.7 lbs)  | TBD                    |
| Mounting Options           | Description   |                        |
| Pole / Wall Bracket        | Two metal clamps for pole mount included; Pole Diameter 40-140 mm (1.57-5.5 in) |                        |

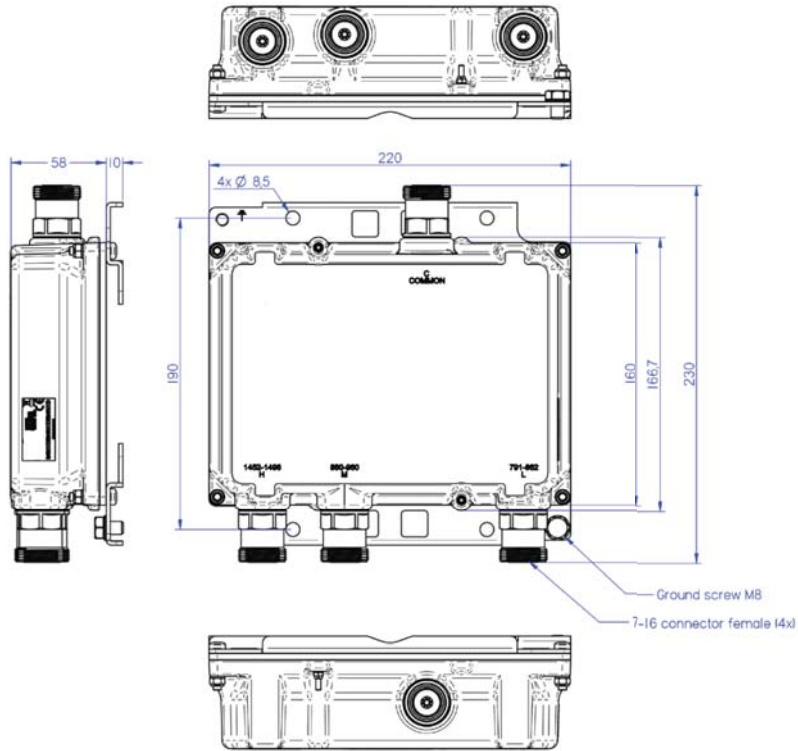
| Block Diagrams           |                         |                         |                                |                                |                     |                    |
|--------------------------|-------------------------|-------------------------|--------------------------------|--------------------------------|---------------------|--------------------|
| DC/AISG Bypass 1500 Port | DC/AISG Bypass 900 Port | DC/AISG Bypass 800 Port | DC/AISG Bypass 900 & 1500 Port | DC/AISG Bypass 800 & 1500 Port | Full DC/AISG Bypass | No DC/AISG Bypass  |
|                          |                         |                         |                                |                                |                     |                    |
| TPX-252<br>TPX-253       | TPX-250<br>TPX-251      | TPX-258<br>TPX-259      | TPX-2510<br>TPX-2511           | TPX-2512<br>TPX-2513           | TPX-254<br>TPX-255  | TPX-256<br>TPX-257 |

Quoted performance parameters are provided to offer typical or range values only and may vary as a result of normal manufacturing and operational conditions. Extreme operational conditions and/or stress on structural supports is beyond our control. Such conditions may result in damage to this product. Improvements to product may be made without notice.

TPX-25x

Triplexer | 800 / 900 / 1500 | Single and Twin Units | Indoor / Outdoor

Dimensions - Single Unit with 7/16-DIN Connectors



Quoted performance parameters are provided to offer typical or range values only and may vary as a result of normal manufacturing and operational conditions. Extreme operational conditions and/or stress on structural supports is beyond our control. Such conditions may result in damage to this product. Improvements to product may be made without notice.