

TPX-17x

Triplexer | 800/900/AWS | Single and Twin Units | Indoor / Outdoor

- Combines the three bands 800, 900 and AWS into a single output
- Usable at BTS or antenna end
- Built in lightning protection on all ports
- Available as single or twin unit, with various DC bypass configurations
- Suitable for indoor or outdoor applications
- Pole or wall mounting



Ordering Options	Single Unit		Twin Unit	
	7/16-DIN Female Connectors	4.3/10 Female Connectors	7/16-DIN Female Connectors	4.3/10 Female Connectors

When ordering replace "x" with correct option for bypass configuration and single or twin unit.

With DC/AISG Auto-Sense	TPX-17A	TPX-17A-43F	TPX-17AA	TPX-17AA-43F
DC bypass 800 port	TPX-174	TPX-174-43F	TPX-175	TPX-175-43F
DC bypass 900 port	TPX-178	TPX-178-43F	TPX-179	TPX-179-43F
DC bypass AWS port	TPX-176	TPX-176-43F	TPX-177	TPX-177-43F
DC bypass 900 & AWS ports	TPX-1710	TPX-1710-43F	TPX-1711	TPX-1711-43F
DC bypass 800 & AWS ports	TPX-1712	TPX-1712-43F	TPX-1713	TPX-1713-43F
Full DC bypass	TPX-172	TPX-172-43F	TPX-173	TPX-173-43F
No DC bypass	TPX-170	TPX-170-43F	TPX-171	TPX-171-43F

Electrical Characteristics	
800 Channel (Port 1)	
Frequency Band	790-862 MHz
Insertion Loss	0.2 dB typ; 0.4 dB max
Return Loss, normal modes, all ports	> 18 dB
Rejection, 880-2690 MHz	> 50 dB (> 30 dB @ 900 RX)
Continuous Average Power	250 W
Intermodulation, 2x43 dBm TX Carrier, IM3	-116 dBm
900 Channel (Port 2)	
Frequency Band	880-960 MHz
Insertion Loss	0.2 dB typ; 0.4 dB max
Return Loss	> 18 dB
Rejection, 790-862 MHz	> 50 dB TX; > 30 dB RX
Rejection, 1710-2170 MHz	> 50 dB
Continuous Average Power	250 W
Intermodulation, 2x43 dBm TX Carrier, IM3	-116 dBm
AWS Channel (Port 3)	
Frequency Band	1710-2170 MHz
Insertion Loss	0.2 dB typ; 0.4 dB max
Return Loss	> 18 dB
Rejection, 790-960 MHz	50 dB
Continuous Average Power	250 W
Intermodulation, 2x43 dBm TX Carrier, IM3	-116 dBm

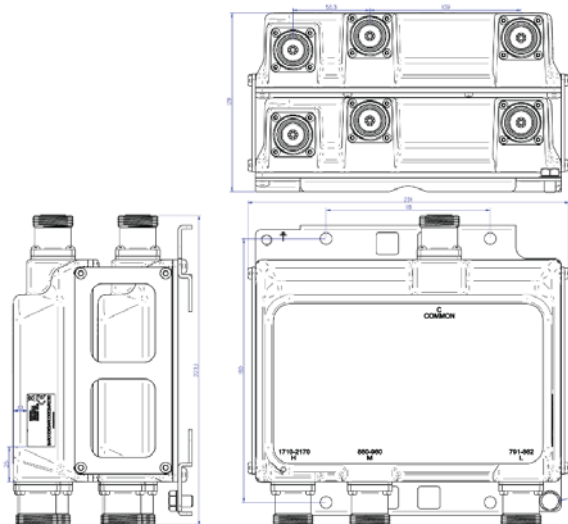
Quoted performance parameters are provided to offer typical or range values only and may vary as a result of normal manufacturing and operational conditions. Extreme operational conditions and/or stress on structural supports is beyond our control. Such conditions may result in damage to this product. Improvements to product may be made without notice.

TPX-17x

Triplexer | 800/900/AWS | Single and Twin Units | Indoor / Outdoor

General Electrical	Standard Models	Models with Auto-Sense				
DC Bypass Rating	3 A	2 A, drop max 2.4 V				
AISG Pass	Yes	---				
AISG RL	---	> 12 dB				
AISG Loss	---	< 1 dB				
Lightning Protection	---	10 kA 8/20 μ s				
Input Voltage Power	---	8-31 V max 0.3 W				
Environmental						
Operating Temperature Range	-40° to +65° C	-40° to 149° F				
Ingress Protection	IP68					
Environmental	ETS 300 019					
Mechanical Characteristics						
Finish	Light Grey (NCS 1502-R)					
Connectors	See Ordering Options					
Dimensions - Single Unit (H x W x D)	160 x 220 x 60 mm	6.3 x 8.7 x 2.4 in				
Weight - Single Unit	3.2 kg	7.1 lbs				
Mounting	Hose clamps or wall mount					
Electrical Block Diagrams						
DC Bypass AWS Port	DC Bypass 900 Port	DC Bypass 800 Port	DC Bypass 900 & AWS Port	DC Bypass 800 & AWS Port	Full DC Bypass	No DC Bypass

Dimensions



Quoted performance parameters are provided to offer typical or range values only and may vary as a result of normal manufacturing and operational conditions. Extreme operational conditions and/or stress on structural supports is beyond our control. Such conditions may result in damage to this product. Improvements to product may be made without notice.