

TPX-10x

Triplexer | 800+900/1800/2100 | Single and Twin Units | Indoor / Outdoor

- Combines the cellular bands 800+900, 1800 and 2100 into a single output
- Usable at BTS or antenna end
- Built in lightning protection on all ports
- Available as single or twin unit, with various DC/AISG bypass configurations
- Suitable for indoor or outdoor applications
- Pole or wall mounting
- Available with 7/16-DIN or 4.3/10 female connectors



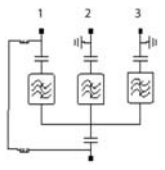
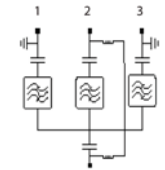
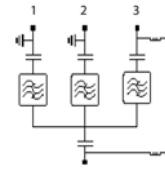
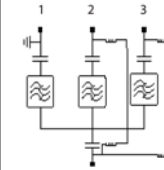
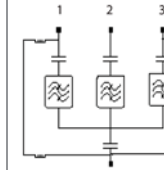
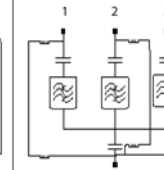
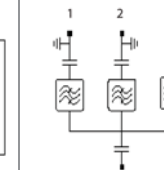
Ordering Options	Single Unit		Twin Unit	
	7/16-DIN	4.3/10	7/16-DIN	4.3/10
When ordering replace "x" with correct option for bypass configuration and single or twin unit.				
With DC/AISG Auto-Sense	TPX-10A	TPX-10A-43F	TPX-10AA	TPX-10AA-43F
DC/AISG bypass 800+900 port	TPX-102	TPX-102-43F	TPX-103	TPX-103-43F
DC/AISG bypass 1800 port	TPX-106	TPX-106-43F	TPX-107	TPX-107-43F
DC/AISG bypass 2100 port	TPX-100	TPX-100-43F	TPX-101	TPX-101-43F
DC/AISG bypass 1800 & 2100 ports	TPX-108	TPX-108-43F	TPX-109	TPX-109-43F
DC/AISG bypass 800+900 & 2100 ports	TPX-1010	TPX-1010-43F	TPX-1011	TPX-1011-43F
Full DC/AISG bypass	TPX-104	TPX-104-43F	TPX-105	TPX-105-43F
No DC/AISG bypass (all ports DC grounded)	TPX-1012	TPX-1012-43F	TPX-1013	TPX-1013-43F
Electrical Characteristics				
800+900 Channel (Port 1)				
Frequency Band	790-960 MHz			
Insertion Loss	0.1 dB typ; 0.2 dB max			
Return Loss	> 18 dB			
Rejection, 1710-1880 MHz	60 dB			
Rejection, 1920-2170 MHz	60 dB			
Continuous Average Power	250 W			
IM3, 2x43 dBm TX Carrier	-117 dBm			
1800 Channel (Port 2)				
Frequency Band	1710-1880 MHz			
Insertion Loss	0.2 dB typ; 0.4 dB max			
Return Loss	> 18 dB			
Rejection, 790-960 MHz	60 dB			
Rejection, 1920-2170 MHz	50 dB			
Continuous Average Power	250 W			
IM3, 2x43 dBm TX Carrier	-117 dBm			
2100 Channel (Port 3)				
Frequency Band	1920-2170 MHz			
Insertion Loss	0.2 dB typ; 0.5 dB max			
Return Loss	> 18 dB			
Rejection, 790-2170 MHz	50 dB			
Continuous Average Power	250 W			
IM7, 2x43 dBm TX Carrier	-125 dBm			
General				
Impedance	50 Ω			
DC Bypass Rating (continuous max)	3 A			
DC/AISG Pass	Yes, ports that do not bypass DC/AISG are DC grounded			
MTBF	1 Mh min			
Safety	EN60950			

Quoted performance parameters are provided to offer typical or range values only and may vary as a result of normal manufacturing and operational conditions. Extreme operational conditions and/or stress on structural supports is beyond our control. Such conditions may result in damage to this product. Improvements to product may be made without notice.

TPX-10x

Triplexer | 800+900/1800/2100 | Single and Twin Units | Indoor / Outdoor

Environmental		
Temperature Range	-40° to +65° C	-40° to 149° F
Ingress Protection	IP67	
Lightning Protection	IEC61000-4.5	
Environmental Compliance	ETS 300 019	
RoHS Compliant	Yes	
Mechanical Characteristics		
Finish	Light Grey (NCS 1502-R)	
Connectors	7/16-DIN Female or 4.3/10 Female	
Dimensions - Single Unit (H x W x D)	170 x 150 x 50 mm	6.7 x 5.9 x 2.0 in
Weight - Single Unit	2.6 kg	5.7 lbs
Mounting Options		
	Description	Fits Pipe Diameter
Pole / Wall Bracket	Two metal clamps for pole mount included	45-115 mm 1.8-4.5 in

Electrical Block Diagrams						
DC/AISG Bypass 800+900 Port	DC/AISG Bypass 1800 Port	DC/AISG Bypass 2100 Port	DC/AISG Bypass 1800 & 2100 Port	DC/AISG Bypass 800+900 & 2100 Port	Full DC/AISG Bypass	No DC/AISG Bypass
						
Common	Common	Common	Common	Common	Common	Common

Quoted performance parameters are provided to offer typical or range values only and may vary as a result of normal manufacturing and operational conditions. Extreme operational conditions and/or stress on structural supports is beyond our control. Such conditions may result in damage to this product. Improvements to product may be made without notice.