

TP-xxMX-43F-CC

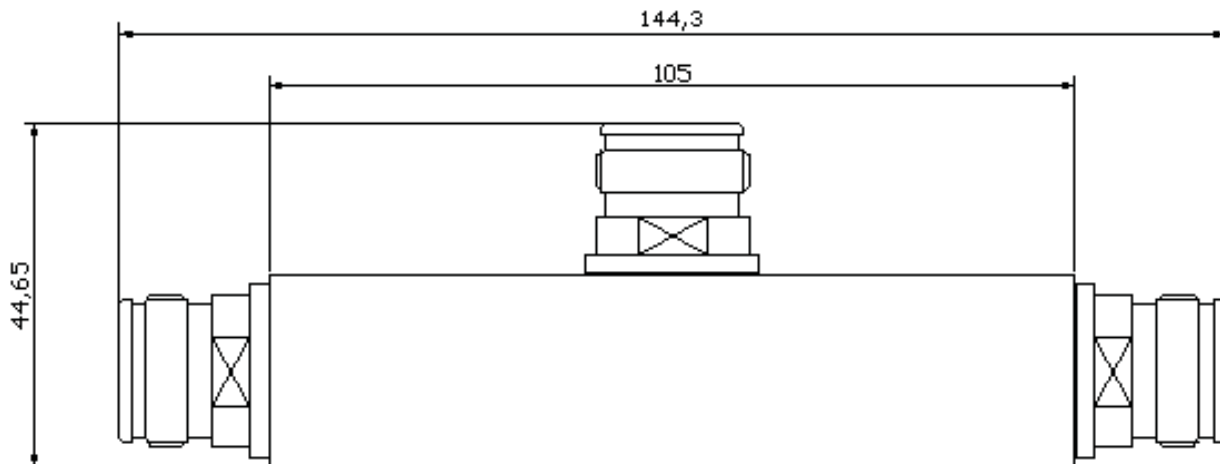
Tapper | 4.3-10 Female

Features

- Operates in 698-2700 MHz frequency range
- Low PIM value
- Minimal RF insertion loss
- 300W average power rating
- RoHS compliant

Ordering Options		TP-xxMX-43F-CC									
Model Number (xx)		03	05	06	08	09	10	13	15	20	30
Electrical Characteristics											
Frequency Range (MHz)		698-1400 & 1710-2700 MHz									
VSWR		≤ 1.25									
Power Handling	Average	300 W									
	Peak	1.3 kW									
PIM (2x43 dBm)		< -160 dBc									
Dissipation Loss (Main Line)		≤ 0.25 dB									
Output Split Ratio		2:1	3:1	4:1	6:1	8:1	10:1	20:1	30:1	100:1	1000:1
Coupling		3 dB	4.8 dB	6 dB	8 dB	9 dB	10 dB	13 dB	15 dB	20 dB	30 dB
Main		-1.8 dB	-1.3 dB	-1 dB	-0.6 dB	-0.5 dB	-0.4 dB	-0.2 dB	-0.1 dB	-0.1 dB	-0.1 dB
Branch		-4.8 dB	-6.1 dB	-7 dB	-8.6 dB	-9.5 dB	-10.4 dB	-13.2 dB	-15.1 dB	-20.1 dB	-30.1 dB
Branch Flatness		±1.2 dB	±1.0 dB	±0.8 dB	±0.8 dB	±0.8 dB	±0.8 dB	±0.8 dB	±0.8 dB	±0.8 dB	±2 dB
Mechanical Characteristics											
Connector		4.3-10 Female									

Dimensions



Quoted performance parameters are provided to offer typical, peak or range values only and may vary as a result of normal testing, manufacturing and operational conditions. Extreme operational conditions and/or stress on structural supports is beyond our control. Such conditions may result in damage to this product. Improvements to products may be made without notice.