

This model was previously released as ATP-xx-WBL-XP-43F-CC

TP-xxLX-43F-CC

Tapper | 4.3/10 Female

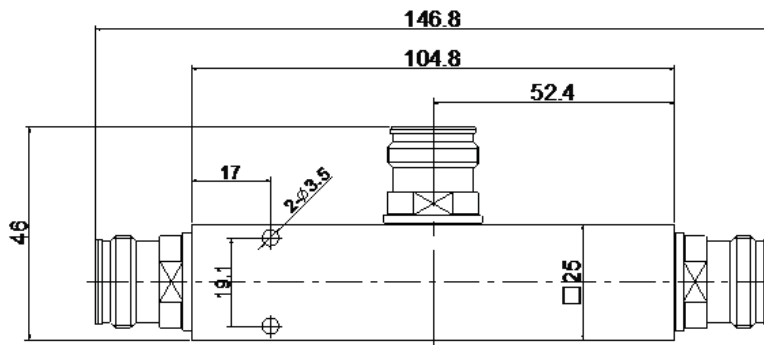
Features

- Operates in 400-2700 MHz frequency range
- Low PIM value
- Minimal RF insertion loss
- 500W average power rating
- RoHS compliant



Ordering Options		TP-xxLX-43F-CC				
Model Number (xx)		06	10	15	20	30
Electrical Characteristics						
Frequency Range		400-2700 MHz	400-2700 MHz	400-2700 MHz	400-2700 MHz	400-2700 MHz
VSWR		≤ 1.2	≤ 1.2	≤ 1.2	≤ 1.2	≤ 1.2
Power Handling	Average	500 W	500 W	500 W	500 W	500 W
	Peak	3 kW	3 kW	3 kW	3 kW	3 kW
IM3 (2x20W)		≤ -160 dBc	≤ -160 dBc	≤ -160 dBc	≤ -160 dBc	≤ -160 dBc
Impedance		50Ω	50Ω	50Ω	50Ω	50Ω
Main Line Loss		6 ± 1.0 dB	10 ± 1.5 dB	15 ± 2.0 dB	20 ± 2.0 dB	30 ± 2.0 dB
Coupling		6 dB	10 dB	15 dB	20 dB	30 dB
Coupling Tolerance	400-520 MHz	+0.3 / -0.8 dB	+0.3/-0.5 dB	±0.8 dB	±1.0 dB	±1.5 dB
	698-960 MHz	±0.3 dB	±0.3 dB	±0.5 dB	±0.8 dB	±0.8 dB
	1710-2700 MHz	±0.3 dB	±0.3 dB	±0.5 dB	±0.5 dB	±0.5 dB
Mechanical Characteristics						
Connector		4.3/10 Female				
Environmental Characteristics						
Operating Temperature		-35° to +70° C				
Application		Indoor / Outdoor				
Protection Class		IP67				

Dimensions



Quoted performance parameters are provided to offer typical, peak or range values only and may vary as a result of normal testing, manufacturing and operational conditions. Extreme operational conditions and/or stress on structural supports is beyond our control. Such conditions may result in damage to this product. Improvements to products may be made without notice.