

This model was previously released as APS-xx-WBL-XP-DF-JJ

SP-xxLX-DF-JJ

Power Splitter | 7/16-DIN Female | Square Body

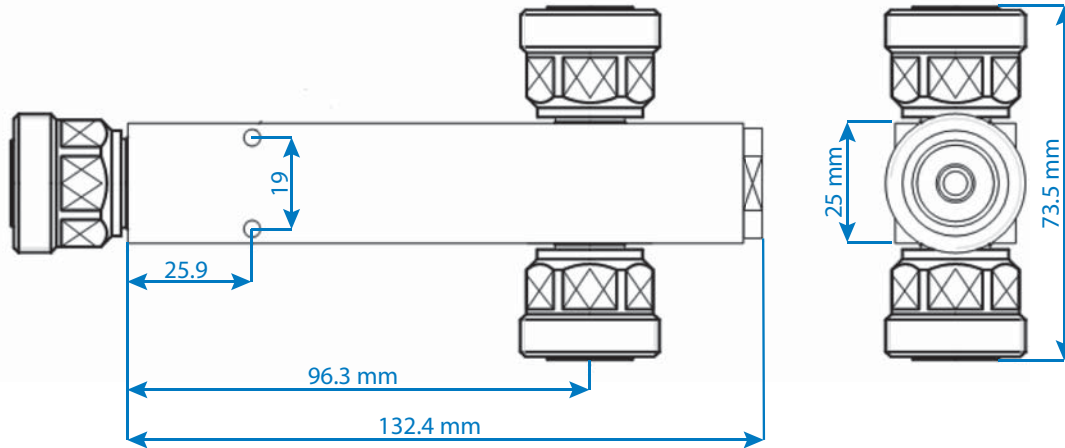
Ordering Options	2-Way Splitter	3-Way Splitter	4-Way Splitter
Model Number (xx)	SP-02LX-DF-JJ	SP-03LX-DF-JJ	SP-04LX-DF-JJ
			
Electrical Characteristics			
Frequency Range	380-2700 MHz	380-2700 MHz	380-2700 MHz
Split Loss	3.0 dB	4.8 dB	6.0 dB
Insertion Loss	0.2 dB	0.3 dB	0.3 dB
Average Power	300 W	300 W	300 W
PIM	-160 dBc	-160 dBc	-160 dBc
VSWR	1.2:1	1.2:1	1.2:1
Impedance	50Ω	50Ω	50Ω
Mechanical Characteristics			
Dimensions (L x W x D)	156 x 73 x 25 mm (6.1 x 2.9 x 1.6 in)	165 x 73 x 49 mm (6.5 x 2.9 x 1.9 in)	239 x 73 x 49 mm (9.4 x 2.9 x 1.9 in)
Weight	0.38 kg (0.8 lbs)	0.46 kg (1.0 lbs)	0.59 kg (1.3 lbs)
Packing Dimensions (L x W x D)	180 x 90 x 40 mm (7.1 x 3.5 x 1.6 in)	170 x 110 x 65 mm (6.7 x 4.3 x 2.6 in)	260 x 82 x 62 mm (10.2 x 3.2 x 2.4 in)
Packing Weight	0.45 kg (1.0 lbs)	0.55 kg (1.2 lbs)	0.69 kg (1.5 lbs)
Connector	7/16-DIN Female	7/16-DIN Female	7/16-DIN Female
Environmental Characteristics			
Operating Temperature	-35° C to +85° C (-31° F to +185° F)	-35° C to +85° C (-31° F to +185° F)	-35° C to +85° C (-31° F to +185° F)
Environmental	IP65	IP65	IP65

Quoted performance parameters are provided to offer typical, peak or range values only and may vary as a result of normal testing, manufacturing and operational conditions. Extreme operational conditions and/or stress on structural supports is beyond our control. Such conditions may result in damage to this product. Improvements to products may be made without notice.

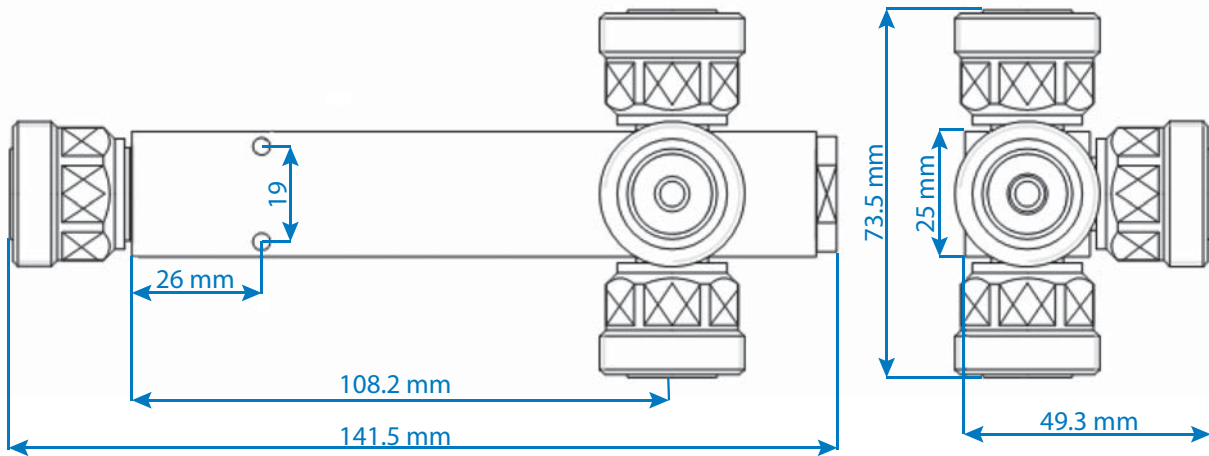
SP-xxLX-DF-JJ

Power Splitter | 7/16-DIN Female | Square Body

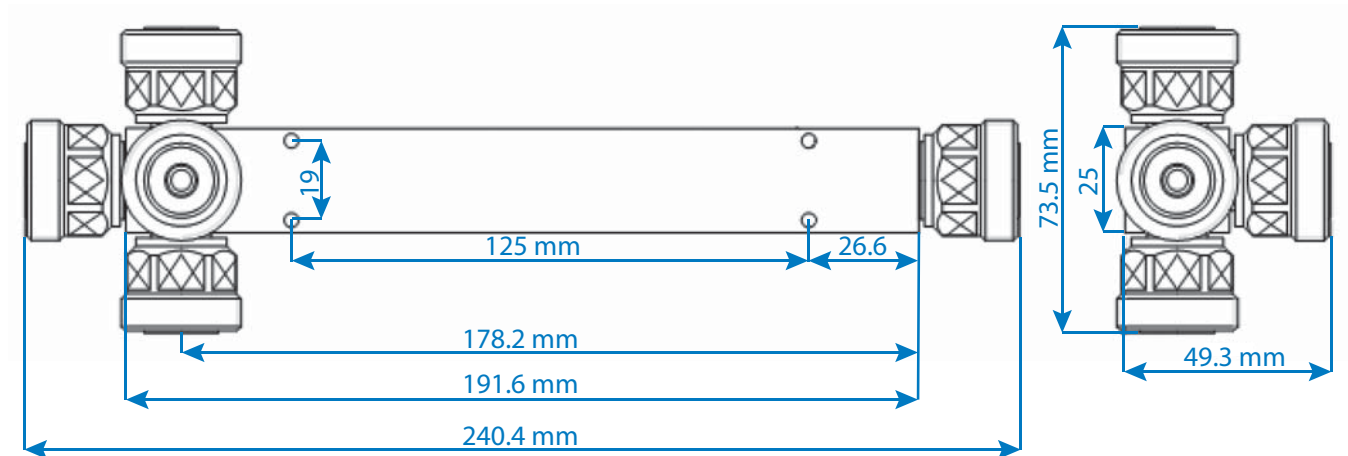
Dimensions - SP-02LX-DF-JJ



Dimensions - SP-03LX-DF-JJ



Dimensions - SP-04LX-DF-JJ



Quoted performance parameters are provided to offer typical, peak or range values only and may vary as a result of normal testing, manufacturing and operational conditions. Extreme operational conditions and/or stress on structural supports is beyond our control. Such conditions may result in damage to this product. Improvements to products may be made without notice.