

SP-xxLX-43F-JJ

This model was previously released
as APS-xx-WBL-XP-43F-JJ

Power Splitter | 4.3-10 Female | Square Body

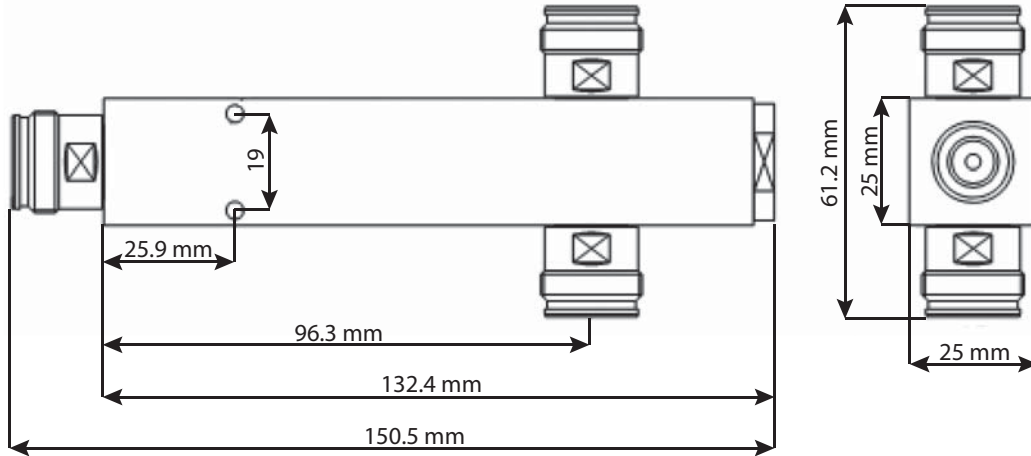
Ordering Options	2-Way Splitter	3-Way Splitter	4-Way Splitter
Model Number (xx)	SP-02LX-43F-JJ	SP-03LX-43F-JJ	SP-04LX-43F-JJ
			
Electrical Characteristics			
Frequency Range	380-2700 MHz	380-2700 MHz	380-2700 MHz
Split Loss	3.0 dB	4.8 dB	6.0 dB
Insertion Loss	0.2 dB	0.3 dB	0.3 dB
Average Power	300 W	300 W	300 W
PIM	-160 dBc	-160 dBc	-160 dBc
VSWR	1.2:1	1.2:1	1.2:1
Impedance	50Ω	50Ω	50Ω
Mechanical Characteristics			
Dimensions (L x W x D)	153 x 66 x 25 mm (6.0 x 2.6 x 1.0 in)	185 x 66 x 45 mm (7.3 x 2.6 x 1.8 in)	200 x 66 x 66 mm (7.9 x 2.6 x 2.6 in)
Weight	0.29 kg (0.6 lbs)	0.36 kg (0.8 lbs)	0.42 kg (0.9 lbs)
Packing Dimensions (L x W x D)	180 x 98 x 45 mm (7.1 x 3.9 x 1.8 in)	200 x 85 x 65 mm (7.9 x 3.4 x 2.6 in)	210 x 93 x 76 mm (8.3 x 3.7 x 3.0 in)
Packing Weight	0.36 kg (0.8 lbs)	0.44 kg (1.0 lbs)	0.51 kg (1.1 lbs)
Connector	4.3-10 Female	4.3-10 Female	4.3-10 Female
Environmental Characteristics			
Operating Temperature	-35° C to +85° C (-31° F to +185° F)	-35° C to +85° C (-31° F to +185° F)	-35° C to +85° C (-31° F to +185° F)
Environmental	IP65	IP65	IP65

Quoted performance parameters are provided to offer typical, peak or range values only and may vary as a result of normal testing, manufacturing and operational conditions. Extreme operational conditions and/or stress on structural supports is beyond our control. Such conditions may result in damage to this product. Improvements to products may be made without notice.

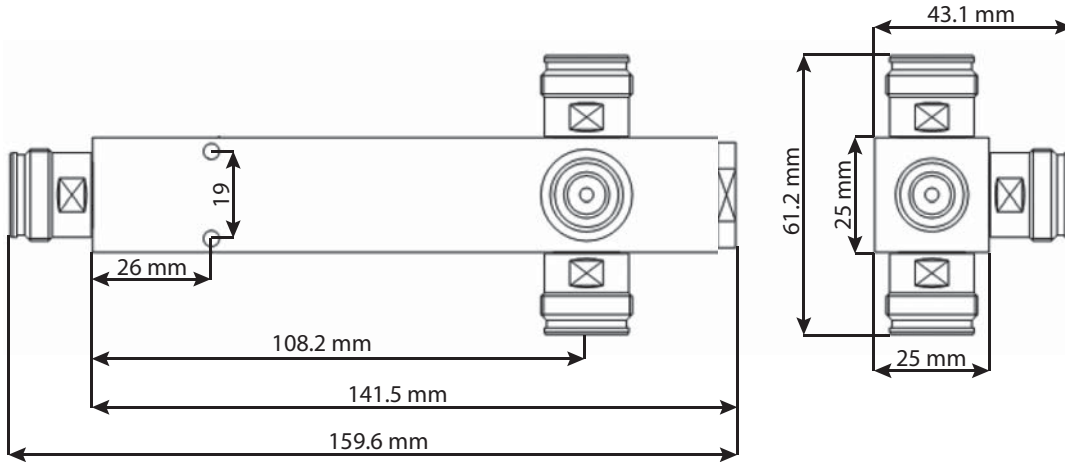
SP-xxLX-43F-JJ

Power Splitter | 4.3-10 Female | Square Body

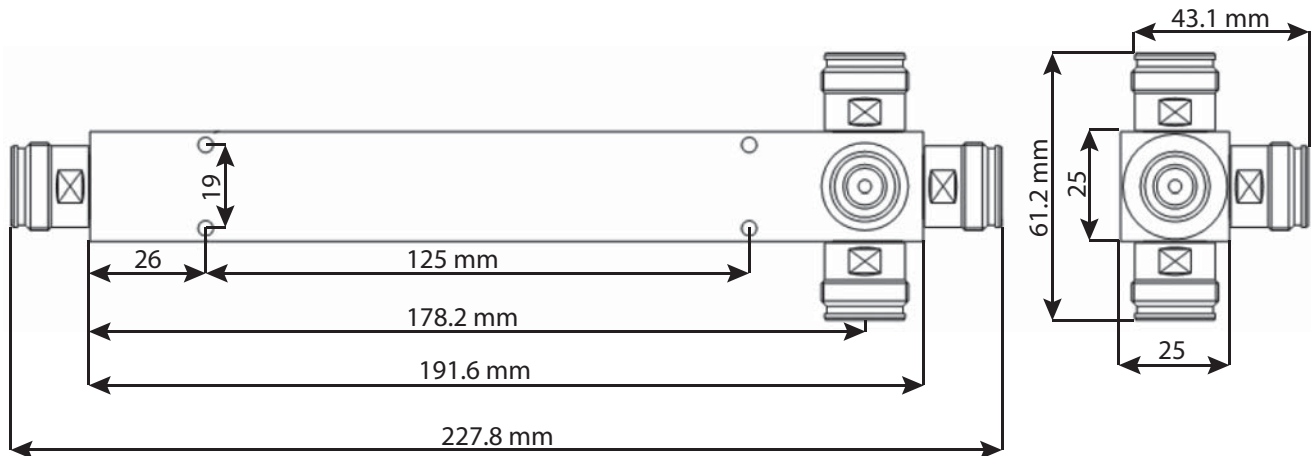
Dimensions - SP-02LX-43F-JJ



Dimensions - SP-03LX-43F-JJ



Dimensions - SP-04LX-43F-JJ



Quoted performance parameters are provided to offer typical, peak or range values only and may vary as a result of normal testing, manufacturing and operational conditions. Extreme operational conditions and/or stress on structural supports is beyond our control. Such conditions may result in damage to this product. Improvements to products may be made without notice.