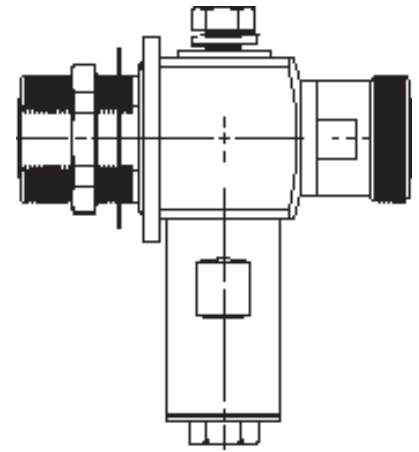


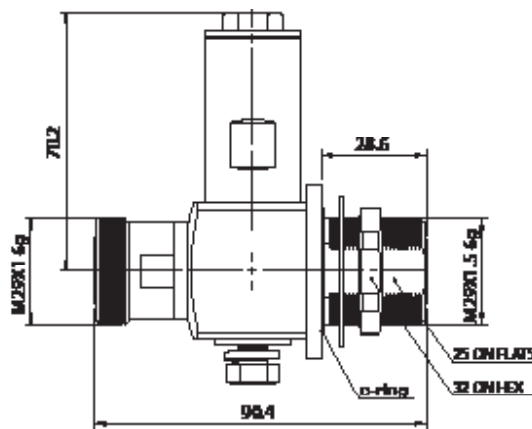
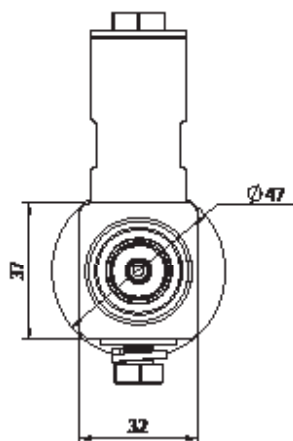
This model was previously released as ASA-WBM-XP-P-DFBDF-F

SA-MXPDFBDF-F

Surge Arrestor | 7/16-DIN Female Bulkhead-7/16-DIN Female | 690-2690 MHz



| Electrical Characteristics | | |
|-------------------------------|-----------------------------------|---------------------|
| Frequency Range | 690-2690 MHz | |
| Impedance | 50Ω | |
| Return Loss | ≤ -22 dB | |
| Insertion Loss | ≤ 0.1 dB | |
| Transmission Power | > 1 kW | |
| PIM | ≤ -160 dBc | |
| Gas Tube | 350 V | |
| Surge Rating | 20kA multiple (wave form 8/20μs) | |
| DC Voltage Nom | 220 V | |
| DC Current | 10 A | |
| Mechanical Characteristics | | |
| Retention | ≥ 5.88 N | |
| Nut Torque | 25 N·m | |
| Mating Cycles | 500 | |
| Material and Plating | Material | Plating |
| Inner Conductor | Spring Copper | Ag5μm |
| Outer Conductor | Brass | Copper tin-zinc 2μm |
| Nut | Brass | Ni5μm |
| Insulator | PTFE | --- |
| O-Ring | Silicon Rubber | --- |
| Environmental Characteristics | | |
| Temperature Range | -40° to +85° C | |
| Weather Standard | IEC 60068 40 / 085 / 21 | |
| Thermal Shock | US MIL-STD 202 Meth. 107, Cond. B | |
| Vibration | US MIL-STD 202 Meth. 204, Cond. B | |
| Shock | US MIL-STD 202 Meth. 213, Cond. I | |
| Weatherproofing Standard | IP67 | |
| RoHs Compliant | Yes | |



Quoted performance parameters are provided to offer typical, peak or range values only and may vary as a result of normal testing, manufacturing and operational conditions. Extreme operational conditions and/or stress on structural supports is beyond our control. Such conditions may result in damage to this product. Improvements to products may be made without notice.