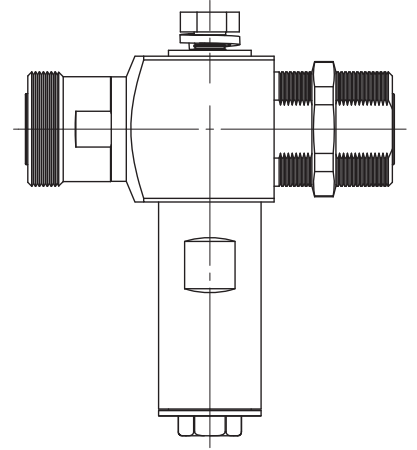


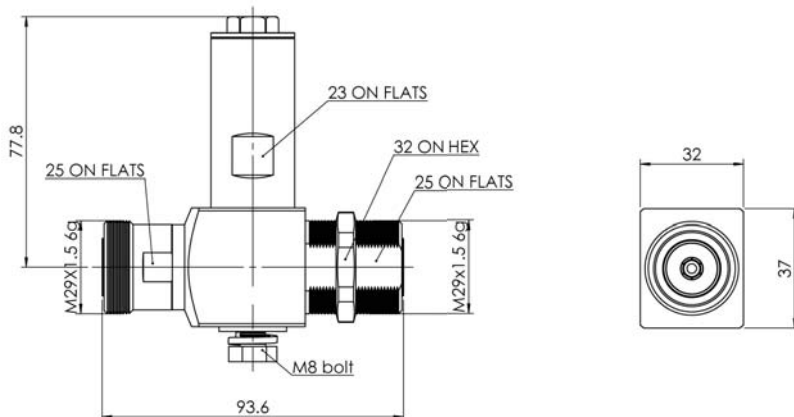
This model was previously released as ASA-WBC-XP-P-DFDFB-F

SA-CXPDFDFB-F

Surge Arrestor | 7/16-DIN Female-7/16-DIN Female Bulkhead | 800-2200 MHz



Electrical Characteristics		
Frequency Range	800-2200 MHz	
Impedance	50Ω	
Return Loss	806-960 MHz	≤ -27 dB
	1710-2170 MHz	≤ -27 dB
	800-2200 MHz	≤ -26 dB
Insertion Loss	≤ 0.15 dB	
Average Power	500 W	
PIM (2x43 dBm)	≤ -160 dBc	
Gas Tube	90 V	
Surge Rating	20kA repetitious (wave form 8/20μs)	
Mechanical Characteristics		
Retention	≥ 5.88 N	
Nut Torque	25 N·m	
Mating Cycles	500	
Material and Plating	Material	Plating
Inner Conductor	Spring Copper	Ag5μm
Outer Conductor	Brass	Copper tin-zinc2μm
Nut	Brass	Ni5μm
Insulator	PTFE	---
Environmental Characteristics		
Temperature Range	-40° to +85° C	
Weather Standard	IEC 60068 40 / 085 / 21	
Thermal Shock	US MIL-STD 202 Meth. 107, Cond. B	
Vibration	US MIL-STD 202 Meth. 204, Cond. B	
Shock	US MIL-STD 202 Meth. 213, Cond. I	
Weatherproofing Standard	IP67	
RoHs Compliant	Yes	



Quoted performance parameters are provided to offer typical, peak or range values only and may vary as a result of normal testing, manufacturing and operational conditions. Extreme operational conditions and/or stress on structural supports is beyond our control. Such conditions may result in damage to this product. Improvements to products may be made without notice.