

## QPX-14x

Quadruplexer | 800/900/1800/2100 | Single and Twin Units | Indoor / Outdoor

- Combines four bands 800/900/1800/2100 into a single output
- Usable at BTS or antenna end
- Built in lightning protection on all ports
- Available as single or twin unit, with Auto-Sense or various DC/AISG bypass configurations
- Suitable for indoor or outdoor applications
- Pole or wall mounting



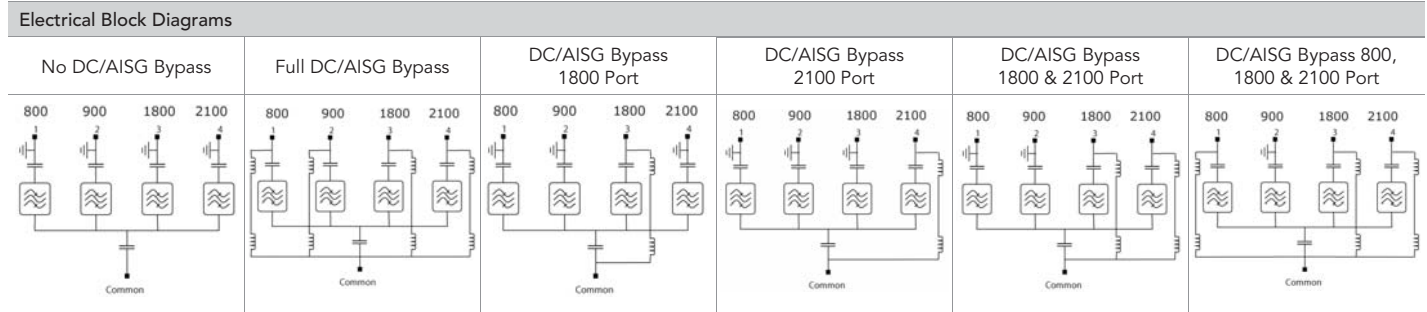
Ordering Options	Single Unit		Twin Unit	
	7/16-DIN Female Connectors	4.3/10 Female Connectors	7/16-DIN Female Connectors	4.3/10 Female Connectors
When ordering replace "x" with correct option for bypass configuration and single or twin unit.				
With DC/AISG Auto-Sense	QPX-14A	QPX-14A-43F	QPX-14AA	QPX-14AA-43F
DC/AISG bypass 1800 port	QPX-144	QPX-144-43F	QPX-145	QPX-145-43F
DC/AISG bypass 2100 port	QPX-146	QPX-146-43F	QPX-147	QPX-147-43F
DC/AISG bypass 1800 & 2100 ports	QPX-148	QPX-148-43F	QPX-149	QPX-149-43F
DC/AISG bypass 800, 1800 & 2100 ports	QPX-1410	QPX-1410-43F	QPX-1411	QPX-1411-43F
Full DC/AISG bypass	QPX-142	QPX-142-43F	QPX-143	QPX-143-43F
No DC/AISG bypass (all ports DC grounded)	QPX-140	QPX-140-43F	QPX-141	QPX-141-43F
<b>Electrical Characteristics</b>				
<b>800 Channel (Port 1)</b>				
Frequency Band	790-862 MHz			
Insertion Loss	0.2 dB typ; 0.5 dB max			
Return Loss, Normal Modes, All Ports	> 18 dB			
Rejection	880-2170 MHz	> 50 dB (> 30 dB @ 900RX)		
Continuous Average Power	250 W			
Intermodulation, 2x43 dBm TX Carrier, IM3	-117 dBm			
<b>900 Channel (Port 2)</b>				
Frequency Band	880-960 MHz			
Insertion Loss	0.2 dB typ; 0.5 dB max			
Return Loss	> 18 dB			
Rejection	790-862 MHz	> 50 dB TX; > 30 dB RX		
	1710-2170 MHz	50 dB		
Continuous Average Power	250 W			
Intermodulation, 2x43 dBm TX Carrier, IM3	-117 dBm			
<b>1800 Channel (Port 3)</b>				
Frequency Band	1710-1880 MHz			
Insertion Loss	0.2 dB typ; 0.4 dB max			
Return Loss	> 18 dB			
Rejection	790-960 MHz 1920-2170 MHz	50 dB		
Continuous Average Power	250 W			
Intermodulation, 2x43 dBm TX Carrier, IM3	-117 dBm			
<b>2100 Channel (Port 4)</b>				
Frequency Band	1920-2170 MHz			
Insertion Loss	0.2 dB typ; 0.5 dB max			
Return Loss	> 18 dB			
Rejection	790-1880 MHz	50 dB		
Continuous Average Power	250 W			
Intermodulation, 2x43 dBm TX Carrier, IM7	-125 dBm			

Quoted performance parameters are provided to offer typical, peak or range values only and may vary as a result of normal testing, manufacturing and operational conditions. Extreme operational conditions and/or stress on structural supports is beyond our control. Such conditions may result in damage to this product. Improvements to products may be made without notice.

## QPX-14x

Quadruplexer | 800/900/1800/2100 | Single and Twin Units | Indoor / Outdoor

General		Standard Models	Models with Auto-Sense
DC Pass Current		3 A	2 A, drop max 2.4V
AISG Pass		Yes	---
AISG RL		---	> 12 dB
AISG Loss		---	< 1 dB
Lightning Protection		---	5 kA 8/20 $\mu$ s
Input Voltage Power		---	8-30 V Max 0.3W
Environmental			
Temperature Range		-40° to +65° C (-40° to +149° F)	
Ingress Protection		IP68	
Environmental Compliance		ETS 300 019-1-4 Class 4.1E	
Safety		IEC/EN 62368-1	
Mechanical Characteristics		Single Unit	Twin Unit
Finish		Light Grey (NCS 1502-R)	
Connectors		7/16-DIN Female or 4.3-10 Female	
Dimensions (H x W x D)	Standard Models	160 x 264 x 58 mm (6.3 x 10.4 x 2.3 in)	160 x 264 x 123.5 mm (6.3 x 10.4 x 4.9 in)
	Models with Auto-Sense	TBD	TBD
Weight	Standard Models	4.5 kg (9.9 lbs)	TBD
	Models with Auto-Sense	TBD	TBD
Mounting Options		Description	
Pole / Wall Bracket		Two metal clamps for pole mount included; Pole Diameter 40-140 mm (1.57-5.5 in)	

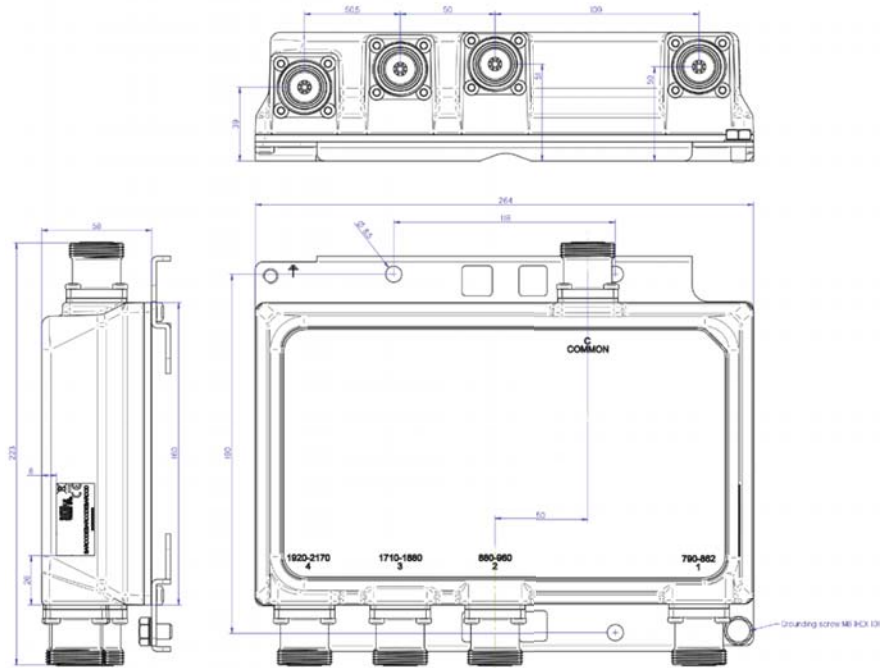


Quoted performance parameters are provided to offer typical, peak or range values only and may vary as a result of normal testing, manufacturing and operational conditions. Extreme operational conditions and/or stress on structural supports is beyond our control. Such conditions may result in damage to this product. Improvements to products may be made without notice.

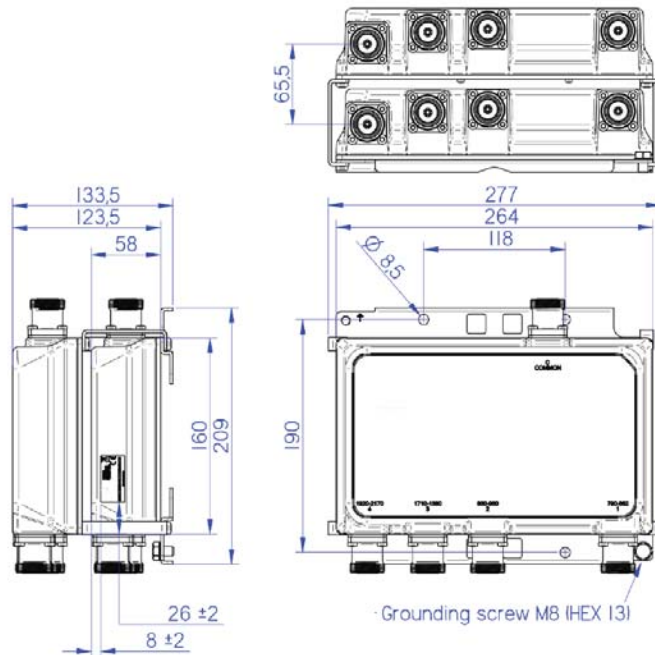
## QPX-14x

Quadruplexer | 800/900/1800/2100 | Single and Twin Units | Indoor / Outdoor

Dimensions - Single Unit with 7/16-DIN Connectors



Dimensions - Twin Unit with 7/16-DIN Connectors



Quoted performance parameters are provided to offer typical or range values only and may vary as a result of normal manufacturing and operational conditions. Extreme operational conditions and/or stress on structural supports is beyond our control. Such conditions may result in damage to this product. Improvements to product may be made without notice.