

QPX-12x

Quadruplexer | 700+800+900/1800/2100/2300-2600 | Single and Twin Units | Indoor / Outdoor

- Combines four bands 700+800+900, 1800, 2100 and 2300-2600 into a single output
- Usable at BTS or antenna end
- Built in lightning protection on all ports
- Available as single or twin unit, with Auto-Sense or various DC/AISG bypass configurations
- Suitable for indoor or outdoor applications
- Pole or wall mounting
- Available with 7/16-DIN or 4.3-10 connectors



Ordering Options	Single Unit		Twin Unit	
	7/16-DIN	4.3-10	7/16-DIN	4.3-10
When ordering replace "x" with correct option for bypass configuration and single or twin unit.				
With DC/AISG Auto-Sense	QPX-12A	QPX-12A-43F	QPX-12AA	QPX-12AA-43F
DC/AISG bypass 2100 port	QPX-124	QPX-124-43F	QPX-125	QPX-125-43F
DC/AISG bypass 2300-2600 port	QPX-126	QPX-126-43F	QPX-127	QPX-127-43F
DC/AISG bypass 2100 & 2300-2600 ports	QPX-128	QPX-128-43F	QPX-129	QPX-129-43F
DC/AISG bypass 1800, 2100 & 2300-2600 ports	QPX-1210	QPX-1210-43F	QPX-1211	QPX-1211-43F
Full DC/AISG bypass	QPX-122	QPX-122-43F	QPX-123	QPX-123-43F
No DC/AISG bypass (all ports DC grounded)	QPX-120	QPX-120-43F	QPX-121	QPX-121-43F

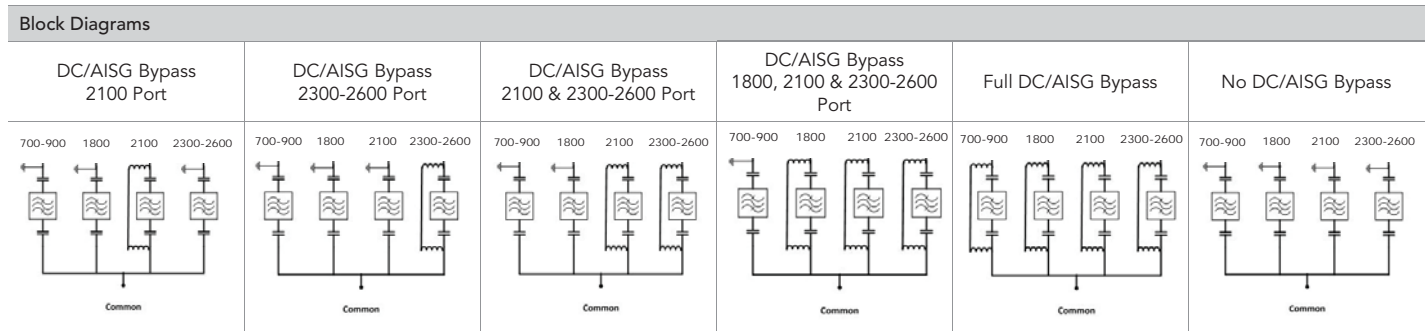
Electrical Characteristics				
700+800+900 Channel (Port 1)				
Frequency Band		698-960 MHz		
Insertion Loss		< 0.2 dB		
Return Loss		> 18 dB		
Rejection	1710-2690 MHz	50 dB		
Continuous Average Power		250 W		
Intermodulation, 2x43 dBm TX Carrier, IM3		-117 dBm		
1800 Channel (Port 2)				
Frequency Band		1710-1880 MHz		
Insertion Loss (typical)		0.4 dB		
Return Loss		> 18 dB		
Rejection	698-960 MHz	50 dB		
	1920-2690 MHz	50 dB		
Continuous Average Power		250 W		
Intermodulation, 2x43 dBm TX Carrier, IM3		-117 dBm		
2100 Channel (Port 3)				
Frequency Band		1920-2170 MHz		
Insertion Loss	1920-1980 MHz	0.3 dB typ; 0.5 dB max		
	2110-2170 MHz	0.25 dB typ		
Return Loss		> 18 dB		
Rejection	698-1880 MHz	55 dB		
	2300-2690 MHz	50 dB		
Continuous Average Power		250 W		
Intermodulation, 2x43 dBm TX Carrier, IM7		-125 dBm		
2300-2600 Channel (Port 4)				
Frequency Band		2300-2690 MHz		
Insertion Loss	2300-2690 MHz	0.2 dB typ		
Return Loss		> 18 dB		
Rejection	698-2170 MHz	50 dB		
Continuous Average Power		250 W		
Intermodulation, 2x43 dBm TX Carrier, IM3		-117 dBm		

Quoted performance parameters are provided to offer typical or range values only and may vary as a result of normal manufacturing and operational conditions. Extreme operational conditions and/or stress on structural supports is beyond our control. Such conditions may result in damage to this product. Improvements to product may be made without notice.

QPX-12x

Quadruplexer | 700+800+900/1800/2100/2300-2600 | Single and Twin Units | Indoor / Outdoor

General		Standard Models	Models with Auto-Sense
DC Pass Current		3.0 A Continuous Max	2 A, drop max 2.4V
AISG Pass		Yes	---
AISG RL		---	> 12 dB
AISG Loss		---	< 1 dB
MTBF		1 Mh min	1 Mh min
Lightning Protection		±5 kA 8/20 μs	±5 kA 8/20 μs
Input Voltage Power		---	8-30 V Max 0.3W
Environmental			
Temperature Range		-40° to +65° C (-40° to +149° F)	
Ingress Protection		IP67	
Environmental Compliance		ETS 300 019-1-4 Class 4.1E	
Safety		IEC/EN 62368-1	
Mechanical Characteristics		Single Unit	Twin Unit
Finish		Light Grey (NCS 1502-R)	
Connectors		7/16-DIN Female or 4.3-10 Female	
Dimensions (H x W x D)	Standard Models	160 x 250 x 49 mm (6.3 x 9.8 x 1.9 in)	160 x 250 x 104 mm (6.3 x 9.8 x 4.1 in)
	Models with Auto-Sense	160 x 250 x 60 mm (6.3 x 9.8 x 2.4 in)	TBD
Weight	Standard Models	4.5 kg (9.9 lbs)	TBD
	Models with Auto-Sense	TBD	TBD
Mounting Options		Description	
Pole / Wall Bracket		Two metal clamps for pole mount included; Pole Diameter 40-140 mm (1.57-5.5 in)	

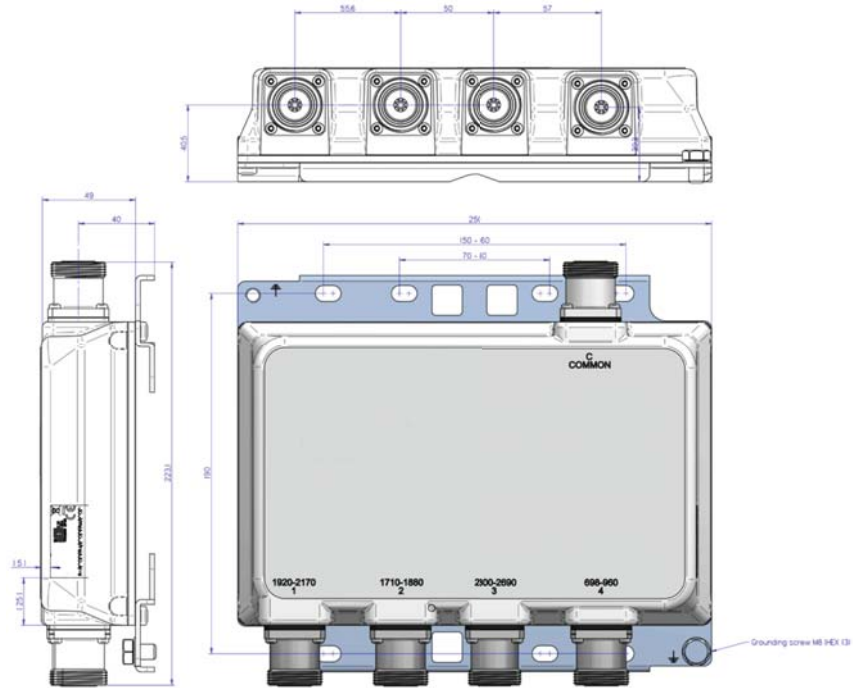


Quoted performance parameters are provided to offer typical or range values only and may vary as a result of normal manufacturing and operational conditions. Extreme operational conditions and/or stress on structural supports is beyond our control. Such conditions may result in damage to this product. Improvements to product may be made without notice.

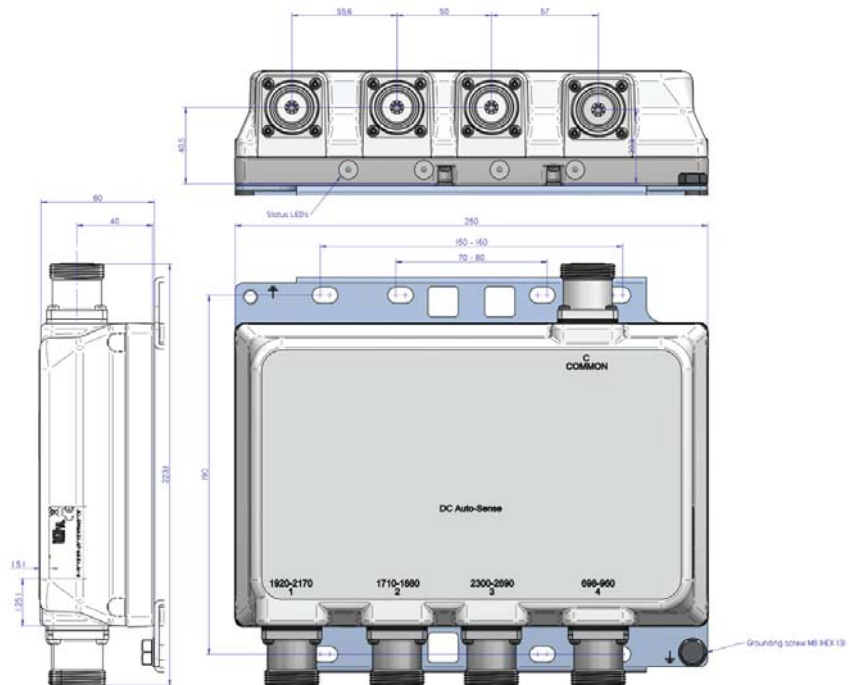
QPX-12x

Quadruplexer | 700+800+900/1800/2100/2300-2600 | Single and Twin Units | Indoor / Outdoor

Dimensions - Single Unit with 7/16-DIN Connectors



Dimensions - Single Unit with AutoSense and 7/16-DIN Connectors



Quoted performance parameters are provided to offer typical or range values only and may vary as a result of normal manufacturing and operational conditions. Extreme operational conditions and/or stress on structural supports is beyond our control. Such conditions may result in damage to this product. Improvements to product may be made without notice.