

L-100DHxx-CC

This model was previously released
as AL-100-DH-xx-CC

100W Termination Loads

- Absorbs RF and microwave energy
- Available with a variety of connector options

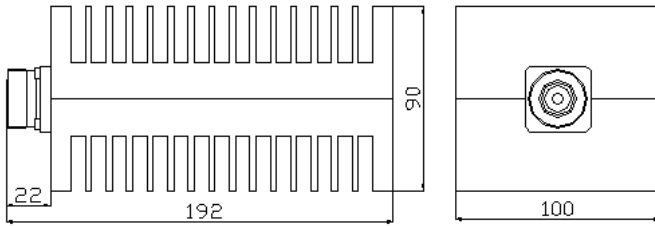
Ordering Options				
Model Number	L-100DHDF-CC	L-100DHDM-CC	L-100DHNF-CC	L-100DHNM-CC
				
Electrical Characteristics				
Frequency Range	DC-3 GHz	DC-3 GHz	DC-3 GHz	DC-3 GHz
VSWR	≤ 1.20	≤ 1.20	≤ 1.20	≤ 1.20
PIM	---	---	≤ -110 dBc	≤ -110 dBc
Power	100 W	100 W	100 W	100 W
Impedance	50Ω	50Ω	50Ω	50Ω
Mechanical Characteristics				
Dimensions (L x W x D without connectors)	170 x 100 x 90 mm	170 x 100 x 90 mm	120 x 100 x 60 mm	120 x 100 x 60 mm
Weight	---	---	1.3 kg	1.3 kg
Connector Type (xx)	7/16-DIN Female (DF)	7/16-DIN Male (DM)	N Female (NF)	N Male (NM)
Environmental Characteristics				
Operating Temperature	-35° C to +85° C	-35° C to +85° C	-55° C to +85° C	-55° C to +85° C
Application	---	---	Indoor / Outdoor	Indoor / Outdoor

Quoted performance parameters are provided to offer typical, peak or range values only and may vary as a result of normal testing, manufacturing and operational conditions. Extreme operational conditions and/or stress on structural supports is beyond our control. Such conditions may result in damage to this product. Improvements to products may be made without notice.

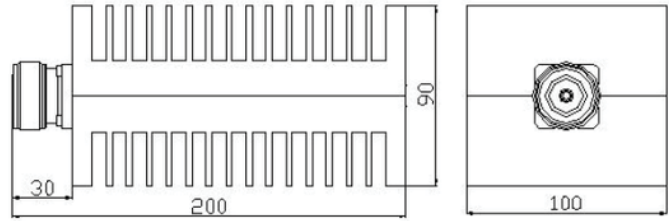
L-100DHxx-CC

100W Termination Loads

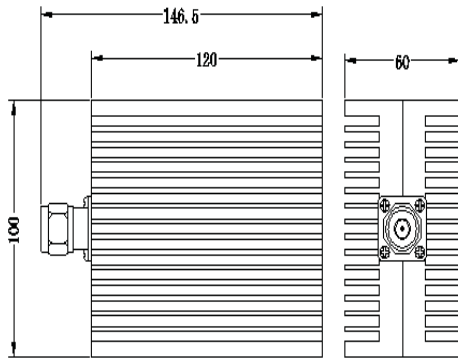
L-100DHF-CC



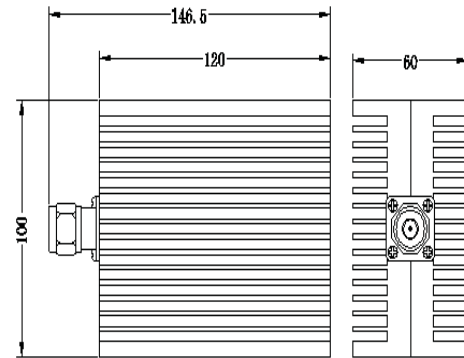
L-100DHM-CC



L-100DHF-CC



L-100DHF-CC



Quoted performance parameters are provided to offer typical, peak or range values only and may vary as a result of normal testing, manufacturing and operational conditions. Extreme operational conditions and/or stress on structural supports is beyond our control. Such conditions may result in damage to this product. Improvements to products may be made without notice.