

## L-050MLxx-CC

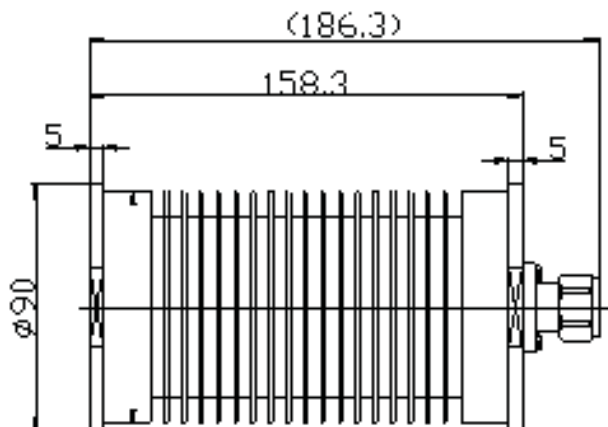
### 50W Termination Load

- Absorbs RF and microwave energy
- Available with a variety of connector options



Ordering Options	Model Number (xx)
4.3-10 Male Connector (43M)	L-050ML43M-CC
4.3-10 Female Connector (43F)	L-050ML43F-CC
Electrical Characteristics	
Frequency Range	698-2700 MHz
VSWR	≤ 1.20
Power	50 W
Impedance	50Ω
Intermodulation (2 x 43 dBm)	≤ -153 dBc
Mechanical Characteristics	
Connector Type (xx)	4.3-10 Male (43M) or 4.3-10 Female (43F)
Environmental Characteristics	
Operating Temperature	-30° C to +70° C
Application	Indoor / Outdoor
Humidity	0-97%
Protection	IP65

L-050ML43M-CC Dimensions



Quoted performance parameters are provided to offer typical, peak or range values only and may vary as a result of normal testing, manufacturing and operational conditions. Extreme operational conditions and/or stress on structural supports is beyond our control. Such conditions may result in damage to this product. Improvements to products may be made without notice.